

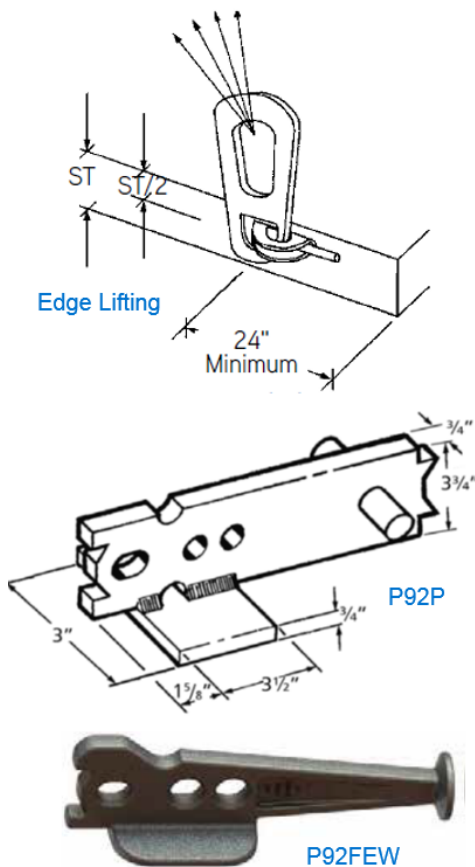
## TECHNICAL DATA SHEET

### DESCRIPTION

The P92P 8T x 13.25" Edge Lift Insert and P92FEW 10T x 12.75" are designed to be used with the T110 Superior Lift System in an edge lift application.

### APPLICATION

These inserts have an integral shear plate for maximum transfer of shear loads into the concrete. These inserts use the P99D 8-10T Disposable Recess Plug for setting the insert. The T120 Hardware is used for erection with the T110E inserts.



### TECHNICAL DATA

#### P92 Stamped Anchor

Structural Panel Thickness	SWL 2:1 Safety Factor			SWL 2.5:1 Safety Factor		
	Shear (lbs)	Tension w/ Anchor Only (lbs)	Tension w/ #6 Tension Bar (lbs)	Shear (lbs)	Tension w/ Anchor Only (lbs)	Tension w/ #6 Tension Bar (lbs)
6"	6,760	9,432	24,000	5,408	7,546	24,000
7"	7,180	11,612	24,000	5,744	9,290	24,000
8"	7,560	13,142	24,000	6,048	10,514	24,000
9"	8,000	14,030	24,000	6,400	11,224	24,000
10"	8,300	14,875	24,000	6,640	11,900	24,000
11"	8,800	16,903	24,000	7,040	13,522	24,000
12"	9,200	19,100	24,000	7,360	15,280	24,000

Safe working load provides ~ safety factor shown in chart w/ min. 2500 psi normal weight concrete.

#### P92FEW Forged Anchor

Structural Panel Thickness	SWL 2:1 Safety Factor			SWL 2.5:1 Safety Factor		
	Shear (lbs)	Tension w/ Anchor Only (lbs)	Tension w/ #7 Tension Bar (lbs)	Shear (lbs)	Tension w/ Anchor Only (lbs)	Tension w/ #7 Tension Bar (lbs)
7.5"	7,775	24,000	24,000	6,220	23,664	24,000
8"	8,113	24,000	24,000	6,491	24,000	24,000
9"	9,212	24,000	24,000	7,370	24,000	24,000
10"	10,311	24,000	24,000	8,249	24,000	24,000
11"	11,484	24,000	24,000	9,195	24,000	24,000
12"	12,846	24,000	24,000	10,277	24,000	24,000

Safe working load provides ~ safety factor shown in chart w/ min. 2500 psi normal weight concrete.

### RELATED PRODUCTS

- T120 - Superior Lift Hardware

### HOW TO ORDER

- Specify: (1) quantity, (2) name

Example:  
20, P92P 8T FL149 Erection Anchor w/  
SP20, P99D 8-12T FL068S Disposable  
Recess Plug

OR

20, P92FEW 10T 143426, P99D 8-12T  
FL068S Disposable Recess Plug

### MANUFACTURER

Dayton Superior Corporation  
1125 Byers Road  
Miamisburg, OH 45342  
Customer Service: 888-977-9600  
Technical Services: 877-266-7732  
Website: [www.daytonsuperior.com](http://www.daytonsuperior.com)

**TECHNICAL DATA SHEET****WARRANTY (ACCESSORIES)**

Limited Warranty. Dayton warrants, for a period of 60 days from the date of shipment (three years from the date of shipment in the case of formwork, excluding any consumable Products included with such formwork), that Products and any associated application drawings and engineering services provided by Dayton ("Ancillary Services") will be free from defects in material and workmanship and, in the case of custom designed formwork, that the formwork will meet the specifications set forth in the design drawings approved by Dayton and Customer. Any claim under this warranty must be made in writing within such warranty period. If any Product and/or Ancillary Service covered by a timely claim are found to be defective, Dayton will, within a reasonable time, make any necessary repairs or corrections or, at Dayton's option, replace the Product. Unless pre-authorized by Dayton in writing, Dayton will not accept any charges for correcting defects or accept the return of any Product. This warranty will not apply to any Products that have been subjected to misuse, neglect, storage damage, misapplication, accident or any other damage caused by any person other than Dayton, or that have not been maintained in accordance with Dayton's specifications. THIS LIMITED WARRANTY IS IN LIEU OF ALL OTHER WARRANTIES AS TO THE PRODUCTS AND ANCILLARY SERVICES. DAYTON MAKES NO OTHER WARRANTIES OR GUARANTEES, EXPRESS OR IMPLIED, INCLUDING ANY WARRANTY OF MERCHANTABILITY, FITNESS FOR A PARTICULAR PURPOSE OR OTHERWISE. THE REMEDIES SET FORTH IN THIS SECTION ARE CUSTOMER'S EXCLUSIVE REMEDY FOR BREACH OF WARRANTY.