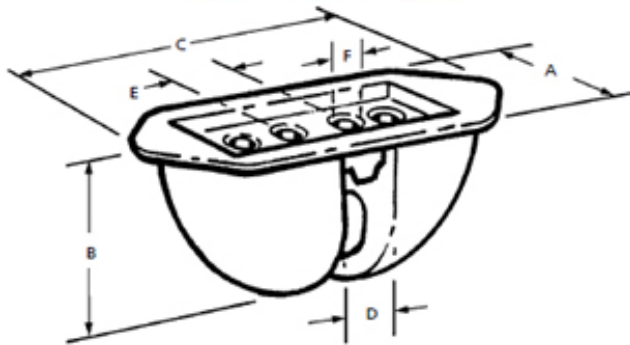


TECHNICAL DATA SHEET

DESCRIPTION

The Dayton Superior P99 Fleet-Lift Reusable Recess Plug is molded from an elastomeric thermal-set urethane for multiple reuse.



**P99 Reusable
Void**



**P99/P99D
Void
Adapter
Clip**



**P140
Anchor**

FEATURES

- Embedded in the recess plug is a stainless steel stud that securely captures a Fleet-Lift Anchor and P140 Super Lift Anchor w/ P99D Clip, providing a positive connection to the form during the placement of concrete.
- P99 Recess Plugs are resistant to heat and form release agents encountered in a precast plant.

TECHNICAL DATA

Anchor Size	A	B	C	D	E	F
1 ton	1-11/16"	1-3/4"	4-1/16"	3/16"	1-3/16"	3/8"
2-3 ton	1-11/16"	1-3/4"	4-1/16"	3/8"	1-3/16"	3/8"
4-6 ton	2-1/8"	2-5/16"	5-3/16"	5/8"	1-11/32"	3/8"
8-10 ton	3-1/8"	3-5/16"	7-13/16"	3/4"	1-31/32"	3/8"

INSTALLATION

1. Installing an Anchor in the Recess Plug: Open the slot of the recess plug by placing a holding rod or screwdriver into an outside hole and squeeze the recess "open." Place the anchor over the steel stud and close the recess plug. The assembly is ready for installation.
2. Attaching the Assembly to the Form: Place the assembly against the form and position over the predrilled hole. Insert the 3/8" holding rod through the hole and thread into the recess plug. Pull the assembly tight to the form by firmly tightening the wing nut on the holding rod.
3. Attachment Using a Holding Plate: Position and attach the holding plate to the form. Slide the anchor assembly over the holding plate studs and firmly against the form. Installation is complete.
4. Removing the Recess Plug from the Concrete: After the back of the recess plug is exposed, insert a steel rod or screwdriver into the half of the recess plug opposite the threaded stud and rotate it to loosen that half of the recess plug. Prongs on P99D Clip must be removed before installation. After the first half of the recess plug has been loosened, use the holding rod in the other side in a "scissor" motion to free the recess plug.

RELATED PRODUCTS

- P91S Fleet-Lift™ Ring Clutch
- P99P Fleet Patch Cap
- T275P Patch Cap
- P99D Fleet-Lift™ Disposable Void Former
- P99 Fleet-Lift™ Reusable Void Former
- P99/P99D Fleet-Lift™ Void Adapter Clip for the P140. Part # 101634

TECHNICAL DATA SHEET

ORDERING INFORMATION**FLEET LIFT™ REUSABLE RECESS PLUG**

Product Code	Description	Weight
FL051	1 TON 4"	0.220 LB
FL200	2-3 TON 4"	0.230 LB
FL062	4-6 TON 5-1/4"	0.600 LB
FL121	8-12 TON 7-1/2"	1.550 LB

MANUFACTURER

Dayton Superior Corporation
1125 Byers Road
Miamisburg, OH 45342
Customer Service: 888-977-9600
Technical Services: 877-266-7732
Website: www.daytonsuperior.com

WARRANTY (ACCESSORIES)

Limited Warranty. Dayton warrants, for a period of 60 days from the date of shipment (three years from the date of shipment in the case of formwork, excluding any consumable Products included with such formwork), that Products and any associated application drawings and engineering services provided by Dayton ("Ancillary Services") will be free from defects in material and workmanship and, in the case of custom designed formwork, that the formwork will meet the specifications set forth in the design drawings approved by Dayton and Customer. Any claim under this warranty must be made in writing within such warranty period. If any Product and/or Ancillary Service covered by a timely claim are found to be defective, Dayton will, within a reasonable time, make any necessary repairs or corrections or, at Dayton's option, replace the Product. Unless pre-authorized by Dayton in writing, Dayton will not accept any charges for correcting defects or accept the return of any Product. This warranty will not apply to any Products that have been subjected to misuse, neglect, storage damage, misapplication, accident or any other damage caused by any person other than Dayton, or that have not been maintained in accordance with Dayton's specifications. THIS LIMITED WARRANTY IS IN LIEU OF ALL OTHER WARRANTIES AS TO THE PRODUCTS AND ANCILLARY SERVICES. DAYTON MAKES NO OTHER WARRANTIES OR GUARANTEES, EXPRESS OR IMPLIED, INCLUDING ANY WARRANTY OF MERCHANTABILITY, FITNESS FOR A PARTICULAR PURPOSE OR OTHERWISE. THE REMEDIES SET FORTH IN THIS SECTION ARE CUSTOMER'S EXCLUSIVE REMEDY FOR BREACH OF WARRANTY.