

TECHNICAL DATA SHEET

DESCRIPTION

The D410 Sleeve Lock Grout Sleeve consists of a cast iron sleeve with internal rebar positioning fins, and (sold separately): Sleeve Lock Grout, Seal Plug, Form Plug, Port Plugs and 3/4" SCH40 PVC.

APPLICATION

The D410 Sleeve Lock grout sleeve system is used to splice rebar in precast elements, developing a splice strength equal to the ultimate strength of the rebar.

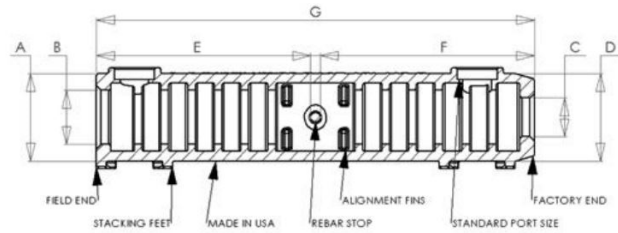


Figure 2 D410 Sleeve-Lock Grout Sleeve Cut Away

FEATURES

- Made from iron melted and cast in USA
- Eliminates the need to thread onsite or pay pre-threaded rebar premiums
- Provides ultimate connection strength in 24 hours
- Low temperature grout options for extending build season
- Fully tested and compliant with ACI 318, ICC 133 and CALTRANS
- Exceeds Type 2 engineering performance criteria
- Performs well in ICC seismic tests (details available through Dayton Superior Technical Services)
- Standardized port size designed to accept 3/4" SCH40 PVC
- Integral stacking feet stabilize product and assist in wire-tying, acting as a platform for rebar chair

HOW TO SPECIFY

Specific: Mechanical splices shall be the Sleeve-Lock™ Grout Sleeve System manufactured by Dayton Superior Corporation.

Generic: The mechanical connection shall meet building code requirements of developing in tension and compression, as required, by local standards and codes. Grouting must be performed in accordance with the manufacturer's recommended grouting procedures.

TECHNICAL DATA

SIZE	SLEEVE-LOCK DIMENSIONS						REBAR EMBEDMENT LENGTH			
	A	B	C	D	G	H	E, MAX	E, MIN	F, MAX	F, MIN
#4 13MM	2.14	1.26	0.87	2.14	9.50	0.25	4.63	3.30	4.63	3.30
#5 16MM	2.14	1.26	0.87	2.14	9.50	0.25	4.63	4.13	4.63	4.13
#6 19MM	2.61	1.73	1.14	2.61	13.00	0.25	6.38	4.92	6.38	4.92
#7 22MM	2.61	1.73	1.14	2.61	13.00	0.25	6.38	5.71	6.38	5.71
#8 25MM	2.89	2.01	1.42	2.89	16.52	0.38	8.07	6.50	8.07	6.50
#9 29MM	2.89	2.01	1.42	2.89	16.52	0.38	8.07	7.40	8.07	7.40
#10 32MM	3.04	2.16	1.57	3.04	17.99	0.50	8.75	8.19	8.75	8.19
#11 36MM	3.32	2.32	1.73	3.32	19.54	0.50	9.52	8.98	9.52	8.98
#14 43MM	3.73	2.60	2.01	3.73	24.50	0.50	12.00	11.42	12.00	11.42
#18 57MM	4.77	3.27	2.68	4.77	36.00	0.50	17.75	17.00	17.75	17.00

All dimensions are in inches.

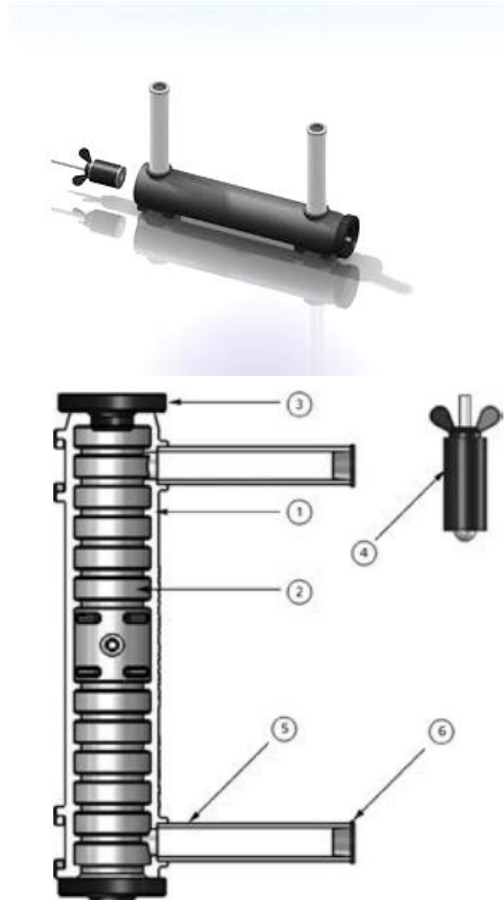


Figure 1 Sleeve-Lock Components and Availability

Item No.	CatID	Description	Included	Order Separately	Obtain Locally
1	D410	Sleeve-Lock Grout Sleeve	X		
2	D490	Sleeve-Lock Grout		X	
3	D487	Sleeve-Lock Seal Plug	X		
4	D491	Sleeve-Lock Form Plug		X	
5	D492	Sleeve-Lock 3/4" SCH40 PVC		X	X
6	D493	Sleeve-Lock Port Plug	X		

TECHNICAL DATA SHEET

INSTALLATION

1. For installation instructions please refer to Sleeve Lock application guide.

ORDERING INFORMATION

SLEEVE-LOCK® GROUT SLEEVE KIT

Product Code	Description	Weight
129451	#4 - 3MM TO #5 - 16MM PLAIN KIT	5.05 LB
129452	#6 - 9MM TO #7 - 22MM PLAIN KIT	8.38 LB
129453	#8 - 25MM TO #9 - 29MM PLAIN KIT	12.08 LB
129454	#10 - 32MM PLAIN KIT	13.41 LB
129455	#11 - 36MM PLAIN KIT	19.08 LB
129456	#14 - 43MM PLAIN KIT	31.09 LB
129457	#18 - 57MM PLAIN KIT	81.13 LB
143399	#4 - 3MM TO #6 - 19MM EPOXY KIT	5.05 LB
143400	#6 - 19MM TO #7 - 22MM EPOXY KIT	8.38 LB
143401	#8 - 25MM TO #9 - 29MM EPOXY KIT	12.08 LB
143402	#10 - 32MM EPOXY KIT	13.41 LB
143403	#11 - 36MM EPOXY KIT	19.06 LB
143404	#14 - 43MM EPOXY KIT	31.16 LB
143405	#18 - 57MM EPOXY KIT	81.20 LB

MANUFACTURER

Dayton Superior Corporation
 1125 Byers Road
 Miamisburg, OH 45342
 Customer Service: 888-977-9600
 Technical Services: 877-266-7732
 Website: www.daytonsuperior.com

WARRANTY (ACCESSORIES)

Limited Warranty. Dayton warrants, for a period of 60 days from the date of shipment (three years from the date of shipment in the case of formwork, excluding any consumable Products included with such formwork), that Products and any associated application drawings and engineering services provided by Dayton ("Ancillary Services") will be free from defects in material and workmanship and, in the case of custom designed formwork, that the formwork will meet the specifications set forth in the design drawings approved by Dayton and Customer. Any claim under this warranty must be made in writing within such warranty period. If any Product and/or Ancillary Service covered by a timely claim are found to be defective, Dayton will, within a reasonable time, make any necessary repairs or corrections or, at Dayton's option, replace the Product. Unless pre-authorized by Dayton in writing, Dayton will not accept any charges for correcting defects or accept the return of any Product. This warranty will not apply to any Products that have been subjected to misuse, neglect, storage damage, misapplication, accident or any other damage caused by any person other than Dayton, or that have not been maintained in accordance with Dayton's specifications. THIS LIMITED WARRANTY IS IN LIEU OF ALL OTHER WARRANTIES AS TO THE PRODUCTS AND ANCILLARY SERVICES. DAYTON MAKES NO OTHER WARRANTIES OR GUARANTEES, EXPRESS OR IMPLIED, INCLUDING ANY WARRANTY OF MERCHANTABILITY, FITNESS FOR A PARTICULAR PURPOSE OR OTHERWISE. THE REMEDIES SET FORTH IN THIS SECTION ARE CUSTOMER'S EXCLUSIVE REMEDY FOR BREACH OF WARRANTY.