

TECHNICAL DATA SHEET

DESCRIPTION

B30 Screw-On Plastic Cones are manufactured from a strong engineered thermoplastic.

APPLICATION

Screw-On Plastic Cones are designed to thread onto the protruding coil of a B3 Screw-On Coil Tie.



FEATURES

- The large end of the cone provides sufficient bearing surface to prevent crushing of the plywood around the bolt hole.
- Cones are to be used for spreader action only and are not designed for scaffold bracket or other accessory loads.
- Plastic cones are removed from the concrete with a B15 Cone Removal Wrench and can be reused.

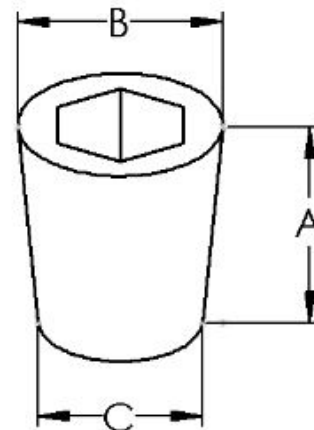
RELATED PRODUCTS

- B1B3 or B2B3 Screw-On Coil Ties
- B15 Cone Removal Wrench

TECHNICAL DATA

B30 Screw-On Plastic Cone Selection Chart

Bolt Diameter	Setback	A	B	C
1/2"	1"	1-3/8"	1-1/4"	1"
1/2"	1-1/2"	1-7/8"	1-1/4"	1"
1/2"	2"	2-3/8"	1-1/4"	1"
3/4"	1"	1-1/2"	1-5/8"	1-7/16"
3/4"	1-1/2"	2"	1-5/8"	1-7/16"
3/4"	2"	2-1/2"	1-3/4"	1-7/16"
3/4"	3"	3-1/2"	1-7/8"	1-7/16"
3/4"	3"	3-1/2"	2-1/4"	1-7/16"
1"	1"	1-1/2"	2-1/8"	1-13/16"
1"	2"	2-1/2"	2-1/8"	1-13/16"
1-1/4"	2"	2-1/2"	2-1/8"	1-13/16"



ORDERING INFORMATION

PLASTIC CONES FOR COIL TIES SCREW-ON CONE

Product Code	Description	Weight
35151	1/2" X 1" SETBACK	0.04 LB
35152	1/2" X 1-1/2" SETBACK	0.05 LB
35153	1/2" X 2" SETBACK	0.06 LB
35135	3/4" X 1" SETBACK	0.07 LB
35136	3/4" X 1-1/2" SETBACK	0.09 LB
35137	3/4" X 2" SETBACK	0.14 LB
143988	3/4" X 3" SETBACK	0.19 LB
35140	1" X 1" SETBACK	0.10 LB
35138	1" X 2" SETBACK	0.19 LB
35139	1-1/4" X 2" SETBACK	0.16 LB
146525	1-1/4" X 2.5" SETBACK	0.17 LB

TECHNICAL DATA SHEET

MANUFACTURER

Dayton Superior Corporation
1125 Byers Road
Miamisburg, OH 45342
Customer Service: 888-977-9600
Technical Services: 877-266-7732
Website: www.daytonsuperior.com

WARRANTY (ACCESSORIES)

Limited Warranty. Dayton warrants, for a period of 60 days from the date of shipment (three years from the date of shipment in the case of formwork, excluding any consumable Products included with such formwork), that Products and any associated application drawings and engineering services provided by Dayton ("Ancillary Services") will be free from defects in material and workmanship and, in the case of custom designed formwork, that the formwork will meet the specifications set forth in the design drawings approved by Dayton and Customer. Any claim under this warranty must be made in writing within such warranty period. If any Product and/or Ancillary Service covered by a timely claim are found to be defective, Dayton will, within a reasonable time, make any necessary repairs or corrections or, at Dayton's option, replace the Product. Unless pre-authorized by Dayton in writing, Dayton will not accept any charges for correcting defects or accept the return of any Product. This warranty will not apply to any Products that have been subjected to misuse, neglect, storage damage, misapplication, accident or any other damage caused by any person other than Dayton, or that have not been maintained in accordance with Dayton's specifications. THIS LIMITED WARRANTY IS IN LIEU OF ALL OTHER WARRANTIES AS TO THE PRODUCTS AND ANCILLARY SERVICES. DAYTON MAKES NO OTHER WARRANTIES OR GUARANTEES, EXPRESS OR IMPLIED, INCLUDING ANY WARRANTY OF MERCHANTABILITY, FITNESS FOR A PARTICULAR PURPOSE OR OTHERWISE. THE REMEDIES SET FORTH IN THIS SECTION ARE CUSTOMER'S EXCLUSIVE REMEDY FOR BREACH OF WARRANTY.