

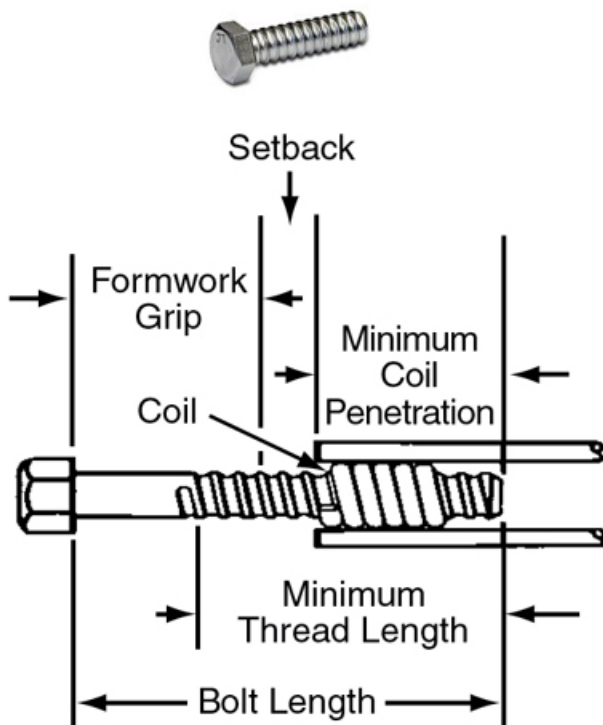
TECHNICAL DATA SHEET

DESCRIPTION

The Dayton Superior B14 Coil Bolts are designed for ease of use and durability and have fast acting, self-cleaning coil threads.

APPLICATION

Coil bolts are designed to be reusable, but will wear and must be continuously inspected and replaced when wear or damage is noted. A waterproof grease should be applied to the portion of the bolt that will be embedded in the concrete. This will facilitate bolt removal from the set concrete.



BENEFITS

- 1/2" diameter - across the flats = 3/4"
- 3/4" diameter - across the flats = 1-1/8"
- 1" diameter - across the flats = 1-1/2"
- 1-1/4" diameter - across the flats = 1-7/8"
- 1-1/2" diameter - across the flats = 2-1/4"

TECHNICAL DATA

B14 Coil Bolts with Integrally Formed Hex Heads					
1/2" Dia. Forged Hex Head Ultimate Load		3/4" Dia. Forged Hex Head Ultimate Load		1" Dia. Forged Hex Head Ultimate Load	
Tension	Shear	Tension	Shear	Tension	Shear
18,000 lbs.	12,000 lbs.	40,100 lbs.	26,720 lbs.	72,701 lbs.	48,400 lbs.
Min. Coil Penetration 2"		Min. Coil Penetration 2-1/4"		Min. Coil Penetration 2-1/2"	
Min. Root Area .1385 Sq. In.		Min. Root Area .3079 Sq. In.		Min. Root Area .5410 Sq. In.	
Threads per inch 6		Threads per inch 4-1/2		Threads per inch 3-1/2	
Bolt Length	Minimum Thread Length	Bolt Length	Minimum Thread Length	Bolt Length	Minimum Thread Length
3"	2-1/4"	3"	2-1/4"	3"	2"
4"	3-1/4"	4"	3-1/4"	4"	3"
5"	4-1/4"	5"	4-1/4"	5"	4"
6"	5"	6"	5"	6"	5"
Over 6"	5"	Over 6"	5"	Over 6"	5"
1-1/4" Dia. Forged Hex Head Ultimate Load		1-1/2" Dia. Forged Hex Head Ultimate Load			
Tension	Shear	Tension	Shear		
101,700 lbs.	67,800 lbs.	147,500 lbs.	98,300 lbs.		
Min. Coil Penetration 2-1/2"		Min. Coil Penetration 3"			
Min. Root Area .9161 Sq. In.		Min. Root Area 1.3890 Sq. In.			
Threads per inch 3-1/2		Threads per inch 3-1/2			
Bolt Length	Minimum Thread Length	Bolt Length	Minimum Thread Length		
3"	2"	--	--		
4"	3"	4"	3"		
5"	4"	5"	4"		
6"	5"	6"	5"		
Over 6"	5"	Over 6"	5"		

FEATURES

- Coil bolts have fast acting, self-cleaning coil threads.
- Coil bolts are designed to be reusable, but they do wear and must be continuously inspected and replaced when wear or damage is noted.
- A waterproof grease should be applied to the portion of bolt that will be embedded in the concrete. This will facilitate bolt removal from the set concrete.
- When determining the minimum required overall length of coil bolts, you must consider the following items:
 - Formwork grip (including washer thickness).
 - Setback of the form tie or insert.
 - Minimum coil penetration (applies to all coil products).

RELATED PRODUCTS

- B1 Coil Ties
- B2 Coil Ties
- B1B3 Coil Ties
- B2B3 Coil Ties
- B6 Coil Ties

HOW TO ORDER

Specify: (1) quantity, (2) name, (3) bolt diameter, (4) length of bolt.

Example: 500 pcs. B14 Coil Bolt, 3/4" diameter, 12" long.

Additional sizes are made to order. Please call for availability, lead times, and pricing.

TECHNICAL DATA SHEET

ORDERING INFORMATION

COIL BOLTS - MADE IN USA

Product Code	Description	Weight
45114	1/2" DIA X 8"	0.41 LB
45122	1/2" DIA X 12"	0.61 LB
45214	3/4" DIA X 8"	1.02 LB
45303	1" DIA X 3"	0.66 LB
125698	1" DIA X 4"	0.96 LB
125699	1" DIA X 5"	1.22 LB
125701	1" DIA X 6"	1.35 LB
45412	1-1/4" DIA X 6"	2.36 LB

COIL BOLTS - IMPORT

Product Code	Description	Weight
45100	1/2" DIA X 1-1/2"	0.12 LB
45101	1/2" DIA X 2"	0.15 LB
45102	1/2" DIA X 2-1/2"	0.17 LB
45103	1/2" DIA X 3"	0.18 LB
45106	1/2" DIA X 4"	0.23 LB
45108	1/2" DIA X 5"	0.27 LB
45110	1/2" DIA X 6"	0.36 LB
45201	3/4" DIA X 2"	0.36 LB
45202	3/4" DIA X 2-1/2"	0.39 LB
45203	3/4" DIA X 3"	0.49 LB
45204	3/4" DIA X 3-1/2"	0.55 LB
45206	3/4" DIA X 4"	0.58 LB
45208	3/4" DIA X 5"	0.67 LB
45210	3/4" DIA X 6"	0.77 LB

WARRANTY (ACCESSORIES)

Limited Warranty. Dayton warrants, for a period of 60 days from the date of shipment (three years from the date of shipment in the case of formwork, excluding any consumable Products included with such formwork), that Products and any associated application drawings and engineering services provided by Dayton ("Ancillary Services") will be free from defects in material and workmanship and, in the case of custom designed formwork, that the formwork will meet the specifications set forth in the design drawings approved by Dayton and Customer. Any claim under this warranty must be made in writing within such warranty period. If any Product and/or Ancillary Service covered by a timely claim are found to be defective, Dayton will, within a reasonable time, make any necessary repairs or corrections or, at Dayton's option, replace the Product. Unless pre-authorized by Dayton in writing, Dayton will not accept any charges for correcting defects or accept the return of any Product. This warranty will not apply to any Products that have been subjected to misuse, neglect, storage damage, misapplication, accident or any other damage caused by any person other than Dayton, or that have not been maintained in accordance with Dayton's specifications. THIS LIMITED WARRANTY IS IN LIEU OF ALL OTHER WARRANTIES AS TO THE PRODUCTS AND ANCILLARY SERVICES. DAYTON MAKES NO OTHER WARRANTIES OR GUARANTEES, EXPRESS OR IMPLIED, INCLUDING ANY WARRANTY OF MERCHANTABILITY, FITNESS FOR A PARTICULAR PURPOSE OR OTHERWISE. THE REMEDIES SET FORTH IN THIS SECTION ARE CUSTOMER'S EXCLUSIVE REMEDY FOR BREACH OF WARRANTY.

MANUFACTURER

Dayton Superior Corporation
 1125 Byers Road
 Miamisburg, OH 45342
 Customer Service: 888-977-9600
 Technical Services: 877-266-7732
 Website: www.daytonsuperior.com