

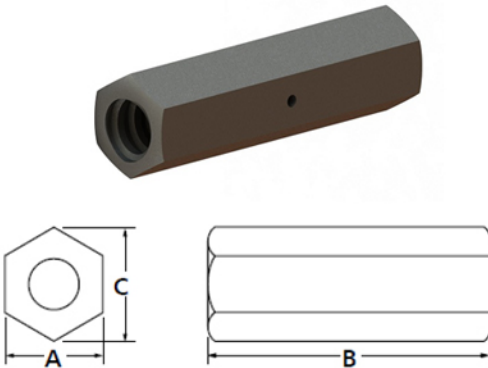
TECHNICAL DATA SHEET

DESCRIPTION

B12A D/R Thread Bar Accessories are high strength steel, fast-acting contour thread accessories.

APPLICATION

B12A D/R Thread Bar Accessories are used with the Euro Bar, D/R Thread Bar, D9A D/R Thread Taper Tie or D30A D/R Thread She-Bolts for securing and spacing clamp type forms.



FEATURES

- Available in two sizes, 15mm and 20mm
- Available with 2-1/2 threads per inch
- Supplied with a positive stop
- Safe Working Load provides a factor of safety of approximately 2 to 1
- This coupler is weldable

TECHNICAL DATA

Hole Size	A	B	C
15MM	1-3/16"	3-9/16"	1-3/8"
20MM	1-7/16"	5-1/2"	1-5/8"

RELATED PRODUCTS

- B12AD Euro Bar
- B12A D/R Thread Bar
- B30A D/R Thread She-Bolt
- D9A D/R Thread Taper Tie

HOW TO ORDER

Specify: (1) quantity, (2) name.
Example: 200 pcs. B12AC D/R Hex Coupler.

ORDERING INFORMATION

D/R THREAD BAR ACCESSORIES - N/A

Product Code	Description	Weight
122019	15MM B12AC HEX COUPLER; SWL=21,900 LBS - 97.4 KN	0.89 LB
123607	20MM B12AC HEX COUPLER; SWL=38,700 LBS - 172.1 KN	1.80 LB

MANUFACTURER

Dayton Superior Corporation
1125 Byers Road
Miamisburg, OH 45342
Customer Service: 888-977-9600
Technical Services: 877-266-7732
Website: www.daytonsuperior.com

WARRANTY (ACCESSORIES)

Limited Warranty. Dayton warrants, for a period of 60 days from the date of shipment (three years from the date of shipment in the case of formwork, excluding any consumable Products included with such formwork), that Products and any associated application drawings and engineering services provided by Dayton ("Ancillary Services") will be free from defects in material and workmanship and, in the case of custom designed formwork, that the formwork will meet the specifications set forth in the design drawings approved by Dayton and Customer. Any claim under this warranty must be made in writing within such warranty period. If any Product and/or Ancillary Service covered by a timely claim are found to be defective, Dayton will, within a reasonable time, make any necessary repairs or corrections or, at Dayton's option, replace the Product. Unless pre-authorized by Dayton in writing, Dayton will not accept any charges for correcting defects or accept the return of any Product. This warranty will not apply to any Products that have been subjected to misuse, neglect, storage damage, misapplication, accident or any other damage caused by any person other than Dayton, or that have not been maintained in accordance with Dayton's specifications. THIS LIMITED WARRANTY IS IN LIEU OF ALL OTHER WARRANTIES AS TO THE PRODUCTS AND ANCILLARY SERVICES. DAYTON MAKES NO OTHER WARRANTIES OR GUARANTEES, EXPRESS OR IMPLIED, INCLUDING ANY WARRANTY OF MERCHANTABILITY, FITNESS FOR A PARTICULAR PURPOSE OR OTHERWISE. THE REMEDIES SET FORTH IN THIS SECTION ARE CUSTOMER'S EXCLUSIVE REMEDY FOR BREACH OF WARRANTY.