

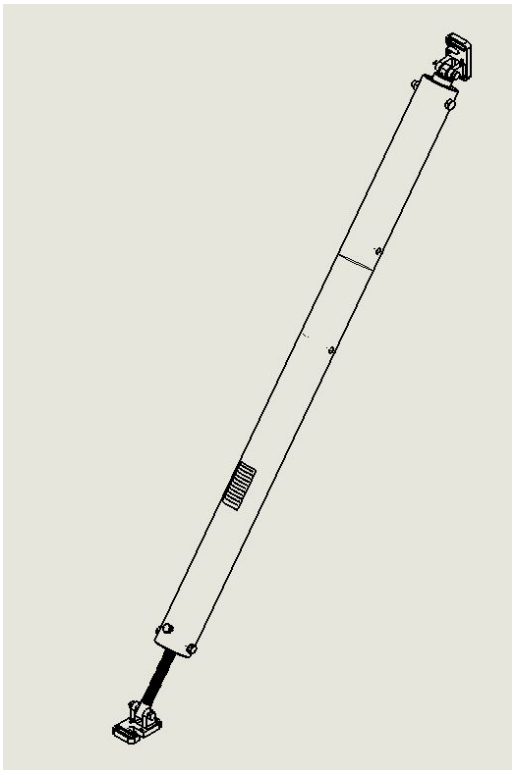
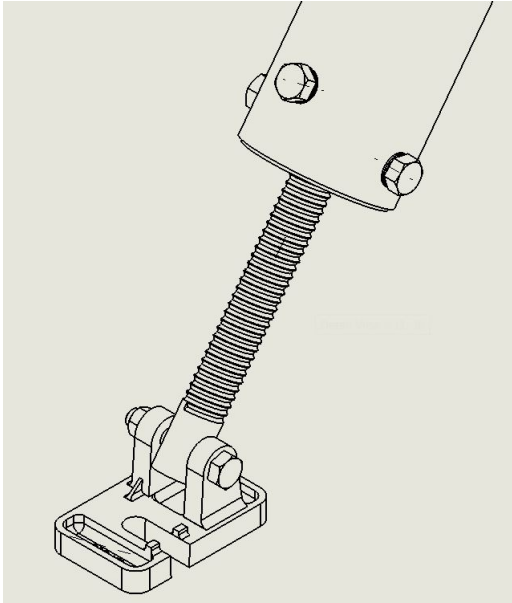
## TECHNICAL DATA SHEET

### DESCRIPTION

B12A Super Tilt Up Wall Braces are all steel, heavy duty wall braces made out of 5.5" diameter tube.

### APPLICATION

B12A Super Brace is designed to quickly and easily align and brace tilt up wall panels.



### FEATURES

- B32R13R Brace is 32' long with a fixed length allowing for +/- 9" of adjustment
- B32R13R brace ultimate capacity is 13,500 lbs.
- Note: the ultimate capacity of the bracing systems is also dependent up the method of anchorage used to connect the braces to the wall panels and/or floor slab. The capacity of the anchorage should always be verified prior to installation.

### TECHNICAL DATA

Type	Part #	Name	Min Length	Max Length	Ultimate Load	Brace Weight
B12A	145449	B32R13R	31' - 3"	32' - 9"	13,500	245 lbs.

### RELATED PRODUCTS

- T20 Extension

### MANUFACTURER

Dayton Superior Corporation  
 1125 Byers Road  
 Miamisburg, OH 45342  
 Customer Service: 888-977-9600  
 Technical Services: 877-266-7732  
 Website: www.daytonsuperior.com

### WARRANTY (ACCESSORIES)

Limited Warranty. Dayton warrants, for a period of 60 days from the date of shipment (three years from the date of shipment in the case of formwork, excluding any consumable Products included with such formwork), that Products and any associated application drawings and engineering services provided by Dayton ("Ancillary Services") will be free from defects in material and workmanship and, in the case of custom designed formwork, that the formwork will meet the specifications set forth in the design drawings approved by Dayton and Customer. Any claim under this warranty must be made in writing within such warranty period. If any Product and/or Ancillary Service covered by a timely claim are found to be defective, Dayton will, within a reasonable time, make any necessary repairs or corrections or, at Dayton's option, replace the Product. Unless pre-authorized by Dayton in writing, Dayton will not accept any charges for correcting defects or accept the return of any Product. This warranty will not apply to any Products that have been subjected to misuse, neglect, storage damage, misapplication, accident or any other damage caused by any person other than Dayton, or that have not been maintained in accordance with Dayton's specifications. THIS LIMITED WARRANTY IS IN LIEU OF ALL OTHER WARRANTIES AS TO THE PRODUCTS AND ANCILLARY SERVICES. DAYTON MAKES NO OTHER WARRANTIES OR GUARANTEES, EXPRESS OR IMPLIED, INCLUDING ANY WARRANTY OF MERCHANTABILITY, FITNESS FOR A PARTICULAR PURPOSE OR OTHERWISE. THE REMEDIES SET FORTH IN THIS SECTION ARE CUSTOMER'S EXCLUSIVE REMEDY FOR BREACH OF WARRANTY.