

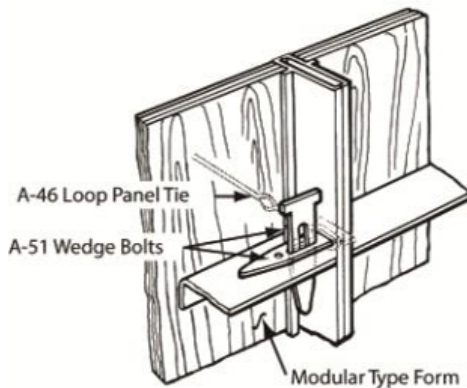
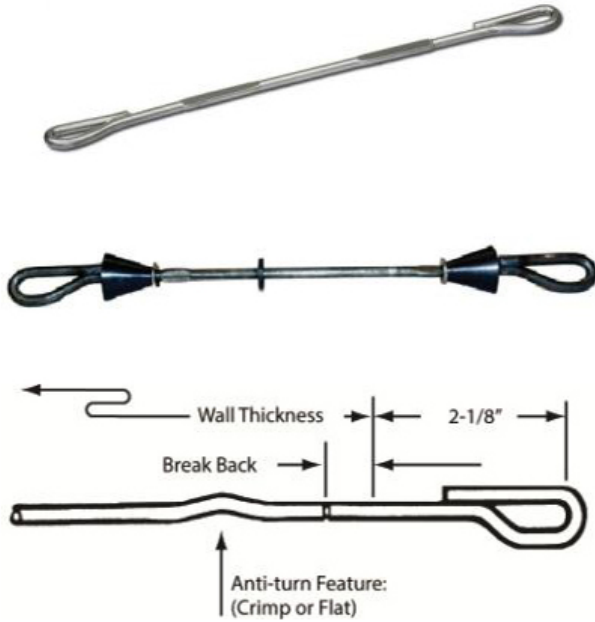
TECHNICAL DATA SHEET

DESCRIPTION

A46 Loop Ties are manufactured from high strength steel.

APPLICATION

A46 Loop Ties are designed for securing and spacing modular type forms.



FEATURES

- Standard units are fabricated with 2-1/8" ends and 1" breakback.
- Other breakbacks are available on special order.
- All loop ties can be manufactured with plastic cones and water-resistant washers.

- All loop ties can be manufactured with a tight fitting neoprene washer collared near the center of the tie. The water-resistant washer is designed to help eliminate water seepage along the tie by breaking the surface continuity of the wire.
- Safe Working Load is 2,250 lbs. for standard or 3,000 lbs for heavy ties which provides a factor of safety of approximately 2 to 1.
- A46 Stainless Steel Loop Ties are available for applications that require ties resistant to rusting or other similar corrosion.
- Due to the ductility of the type 304 stainless steel wire, Dayton Superior cannot guarantee that A46 stainless steel ties will consistently provide proper breakback.

INSTALLATION

1. When erecting modular type forms, the A46 ties are placed in the slots between the form panels.
2. An A51 Wedge Bolt is placed through the adjoining form and into the loop of each tie.
3. A second wedge bolt is then placed through the slot of the first wedge bolt to secure the tie and form together.

RELATED PRODUCTS

- A2 Plastic Cone
- A51 Wedge Bolts
- Steel-Ply® Forms

ORDERING INFORMATION

LOOP TIES - STANDARD

Product Code	Description	Weight
F50606	6" WALL SIZE	0.17 LB
F50608	8" WALL SIZE	0.19 LB
F50610	10" WALL SIZE	0.21 LB
F50612	12" WALL SIZE	0.23 LB
F50614	14" WALL SIZE	0.25 LB
F50616	16" WALL SIZE	0.28 LB
F50618	18" WALL SIZE	0.30 LB
F50620	20" WALL SIZE	0.34 LB
F50622	22" WALL SIZE	0.35 LB
F50624	24" WALL SIZE	0.36 LB

LOOP TIES - STANDARD WITH CONES

Product Code	Description	Weight
F58433	8" WALL SIZE	0.17 LB

LOOP TIES - STANDARD - WATER RESISTANT

Product Code	Description	Weight
F58037	12" WALL SIZE	0.23 LB

TECHNICAL DATA SHEET

LOOP TIES - HEAVY DUTY

Product Code	Description	Weight
F54104	4" WALL SIZE	0.16 LB
F54106	6" WALL SIZE	0.19 LB
F54107	7" WALL SIZE	0.21 LB
F54108	8" WALL SIZE	0.22 LB
F54109	9" WALL SIZE	0.25 LB
F54110	10 " WALL SIZE	0.26 LB
F54111	11 " WALL SIZE	0.27 LB
F54112	12 " WALL SIZE	0.28 LB
F54113	13 " WALL SIZE	0.29 LB
F54114	14 " WALL SIZE	0.31 LB
F54115	15 " WALL SIZE	0.32 LB
F54116	16 " WALL SIZE	0.32 LB
F54117	17 " WALL SIZE	0.35 LB
F54118	18 " WALL SIZE	0.36 LB
F54119	19" WALL SIZE	0.38 LB
F54120	20 " WALL SIZE	0.41 LB
F54121	21 " WALL SIZE	0.46 LB
F54122	22 " WALL SIZE	0.40 LB
F54123	23 " WALL SIZE	0.42 LB
F54124	24 " WALL SIZE	0.44 LB
F54125	25 " WALL SIZE	0.45 LB
F54126	26 " WALL SIZE	0.46 LB
F54127	27 " WALL SIZE	0.48 LB
F54128	28 " WALL SIZE	0.49 LB
F54129	29 " WALL SIZE	0.49 LB
F54130	30 " WALL SIZE	0.53 LB
F54131	31 " WALL SIZE	0.54 LB
F54132	32 " WALL SIZE	0.55 LB
F54133	33 " WALL SIZE	0.55 LB
F54134	34 " WALL SIZE	0.56 LB
F54136	36 " WALL SIZE	0.58 LB
F54138	38 " WALL SIZE	0.61 LB
F54139	39 " WALL SIZE	0.63 LB
F54140	40 " WALL SIZE	0.64 LB
F54142	42 " WALL SIZE	0.68 LB
F54144	44 " WALL SIZE	0.69 LB
F54145	45 " WALL SIZE	0.70 LB
F54146	46 " WALL SIZE	0.71 LB
F54148	48 " WALL SIZE	0.73 LB
F54150	50 " WALL SIZE	0.81 LB
F54154	54 " WALL SIZE	0.82 LB
F54156	56 " WALL SIZE	0.85 LB
F54160	60 " WALL SIZE	0.93 LB
F54166	66 " WALL SIZE	0.94 LB
F54172	70 " WALL SIZE	1.00 LB
F54178	78 " WALL SIZE	1.15 LB
F54184	84 " WALL SIZE	1.22 LB
F54190	90 " WALL SIZE	1.30 LB
F54196	96 " WALL SIZE	1.40 LB
F54208	108 " WALL SIZE	1.54 LB
F54220	120 " WALL SIZE	2.03 LB
F54244	144 " WALL SIZE	2.05 LB

LOOP TIES - HEAVY DUTY - WATER RESISTANT

Product Code	Description	Weight
F58008	8" WALL SIZE	0.20 LB
F58010	10" WALL SIZE	0.22 LB
F58012	12" WALL SIZE	0.24 LB
F58014	14" WALL SIZE	0.26 LB
F58016	16" WALL SIZE	0.28 LB
F58018	18" WALL SIZE	0.31 LB
F58024	24" WALL SIZE	0.40 LB

LOOP TIES - HEAVY DUTY WITH CONES

Product Code	Description	Weight
F58408	8" WALL SIZE	0.26 LB
F58410	10" WALL SIZE	0.30 LB
F58412	12" WALL SIZE	0.44 LB
F58414	14" WALL SIZE	0.50 LB
F58416	16" WALL SIZE	0.60 LB
F58418	18" WALL SIZE	0.70 LB
F58424	24" WALL SIZE	0.80 LB

LOOP TIES - HEAVY DUTY - WATER RESISTANT WITH

CONES

Product Code	Description	Weight
F45064	8" WALL SIZE	0.21 LB
F58208	8" WALL SIZE	0.21 LB
F58210	10" WALL SIZE	0.40 LB
F58212	12" WALL SIZE	0.41 LB
F58214	14" WALL SIZE	0.44 LB
F58216	16" WALL SIZE	0.48 LB
F58218	18" WALL SIZE	0.50 LB
F58224	24" WALL SIZE	0.53 LB

THE FOLLOWING ARE MADE TO ORDER:

- LOOP TIES - STANDARD - FRACTION OR SPECIAL BREAKBACK
- LOOP TIES - STANDARD - WATER RESISTANT W/ CONES
- LOOP TIES - HEAVY DUTY - FRACTION OR SPECIAL BREAKBACK

MANUFACTURER

Dayton Superior Corporation
 1125 Byers Road
 Miamisburg, OH 45342
 Customer Service: 888-977-9600
 Technical Services: 877-266-7732
 Website: www.daytonsuperior.com

TECHNICAL DATA SHEET**WARRANTY (ACCESSORIES)**

Limited Warranty. Dayton warrants, for a period of 60 days from the date of shipment (three years from the date of shipment in the case of formwork, excluding any consumable Products included with such formwork), that Products and any associated application drawings and engineering services provided by Dayton ("Ancillary Services") will be free from defects in material and workmanship and, in the case of custom designed formwork, that the formwork will meet the specifications set forth in the design drawings approved by Dayton and Customer. Any claim under this warranty must be made in writing within such warranty period. If any Product and/or Ancillary Service covered by a timely claim are found to be defective, Dayton will, within a reasonable time, make any necessary repairs or corrections or, at Dayton's option, replace the Product. Unless pre-authorized by Dayton in writing, Dayton will not accept any charges for correcting defects or accept the return of any Product. This warranty will not apply to any Products that have been subjected to misuse, neglect, storage damage, misapplication, accident or any other damage caused by any person other than Dayton, or that have not been maintained in accordance with Dayton's specifications. THIS LIMITED WARRANTY IS IN LIEU OF ALL OTHER WARRANTIES AS TO THE PRODUCTS AND ANCILLARY SERVICES. DAYTON MAKES NO OTHER WARRANTIES OR GUARANTEES, EXPRESS OR IMPLIED, INCLUDING ANY WARRANTY OF MERCHANTABILITY, FITNESS FOR A PARTICULAR PURPOSE OR OTHERWISE. THE REMEDIES SET FORTH IN THIS SECTION ARE CUSTOMER'S EXCLUSIVE REMEDY FOR BREACH OF WARRANTY.