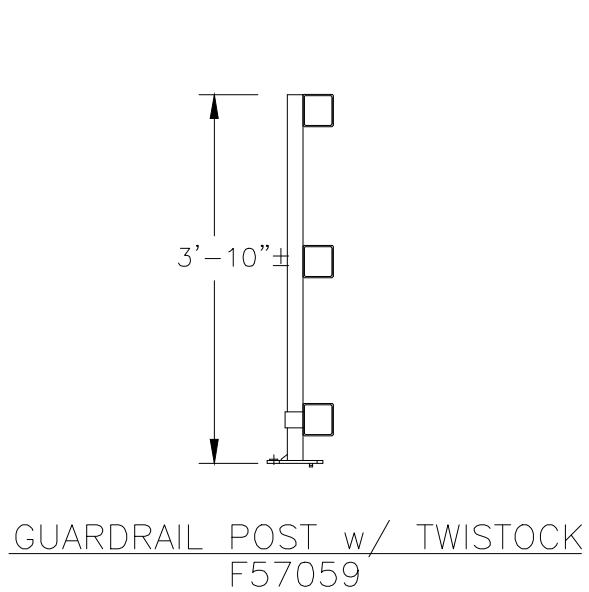
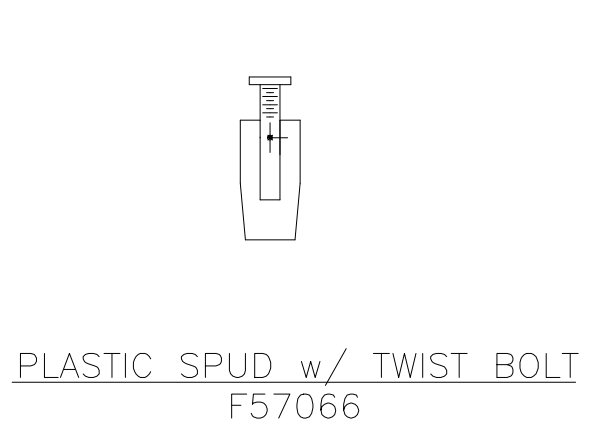
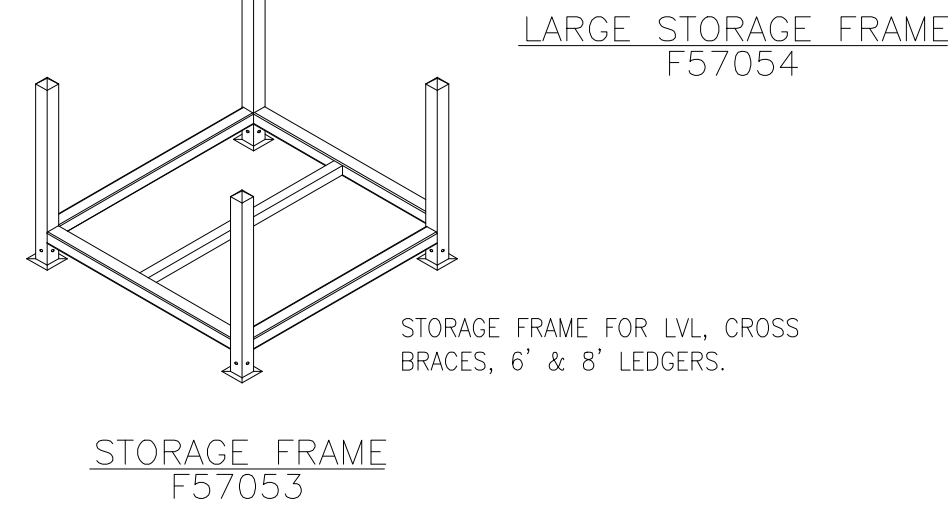
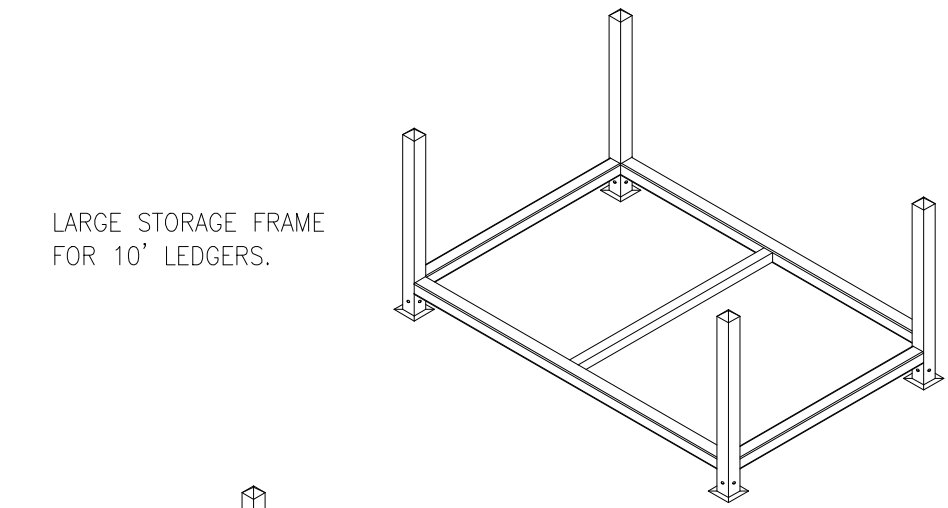
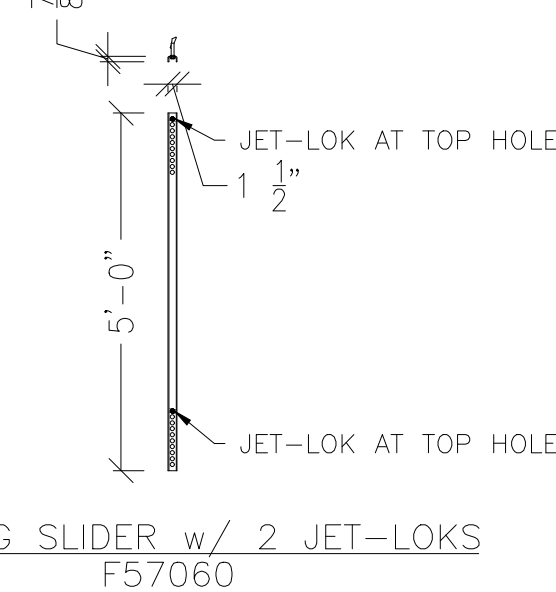
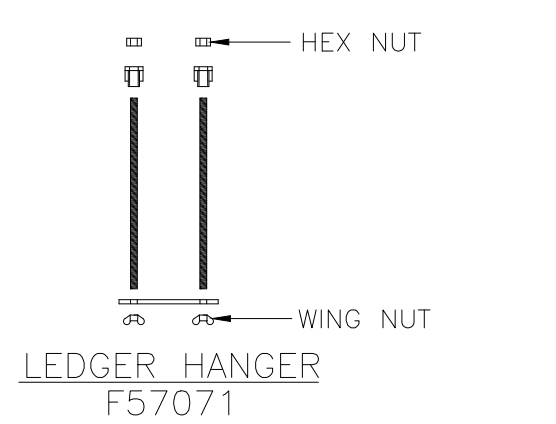
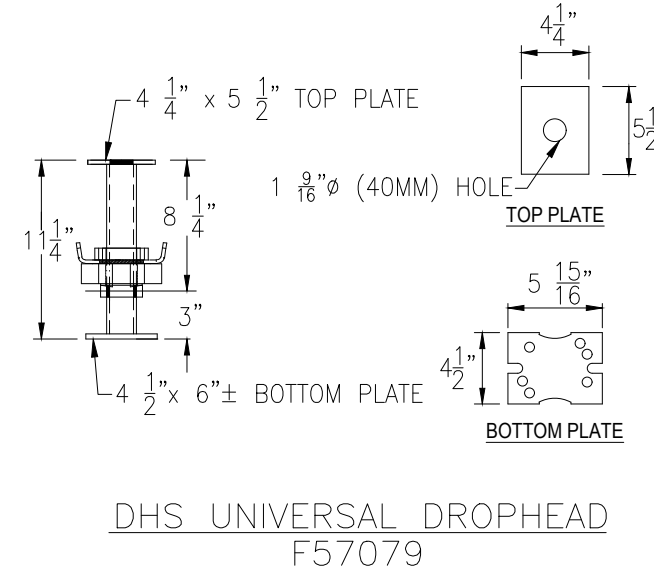
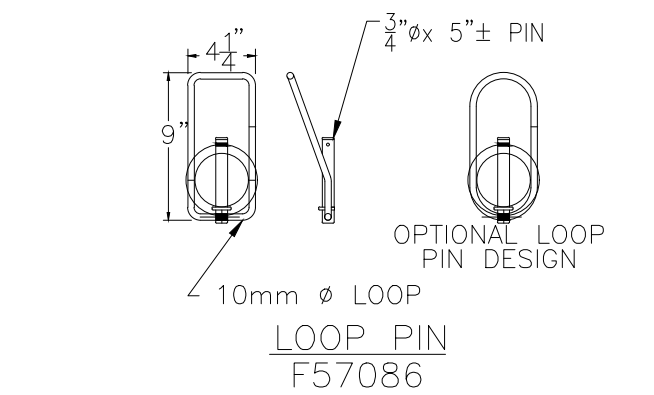
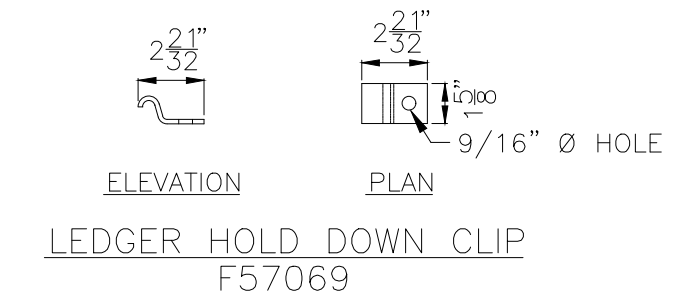
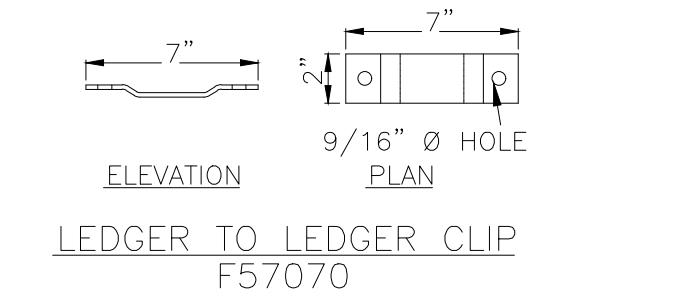
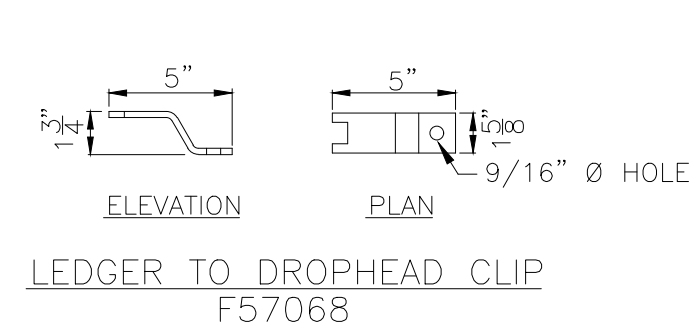
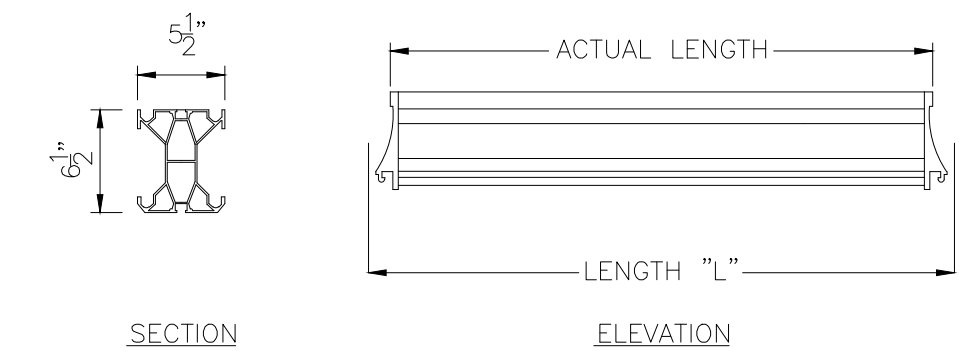
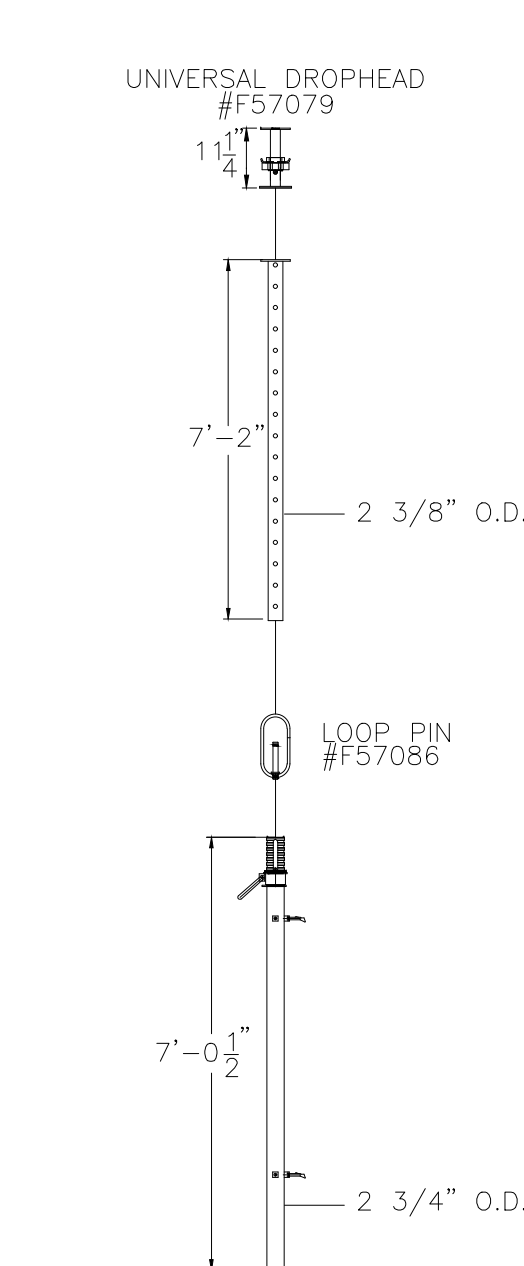
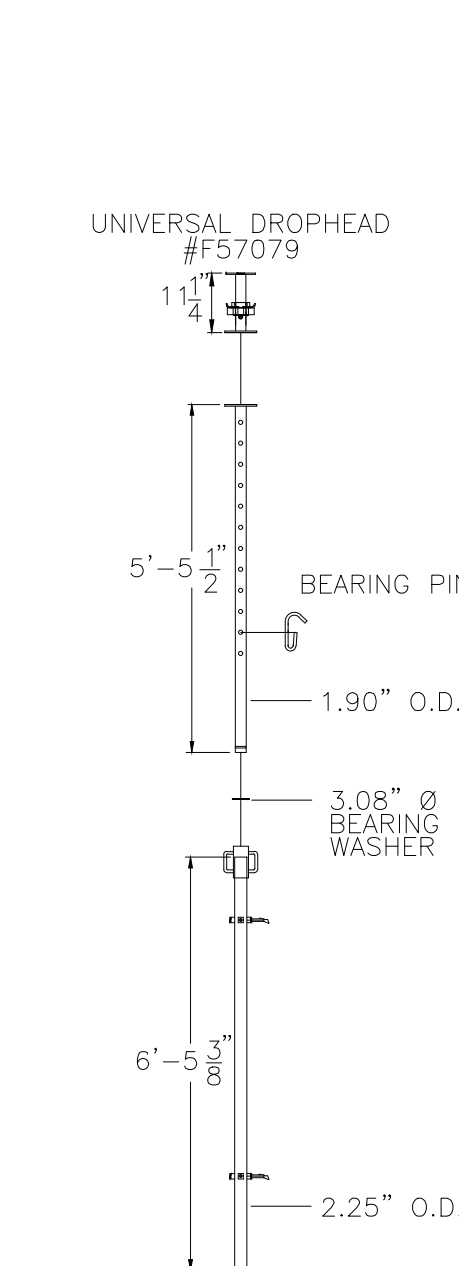
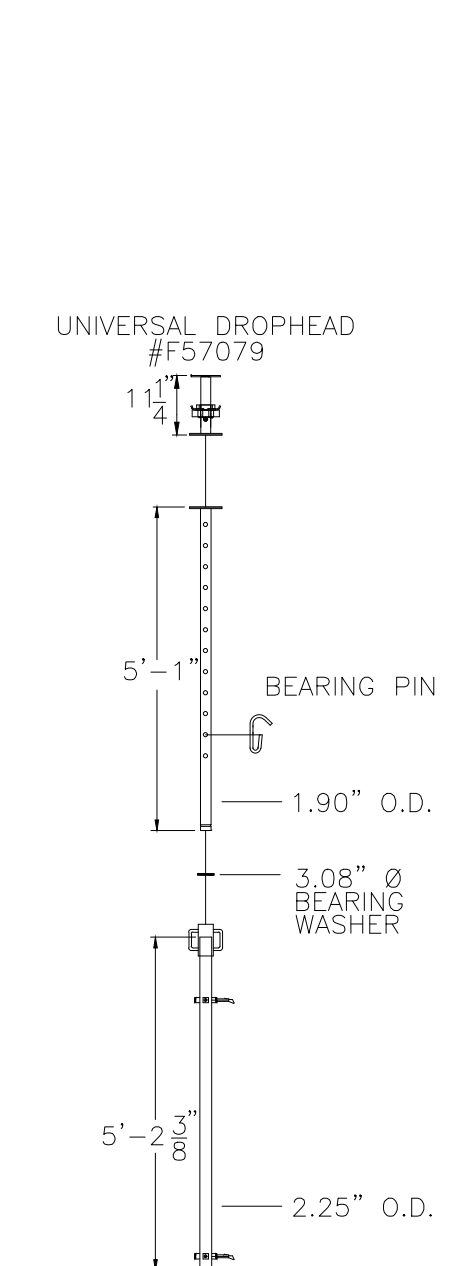
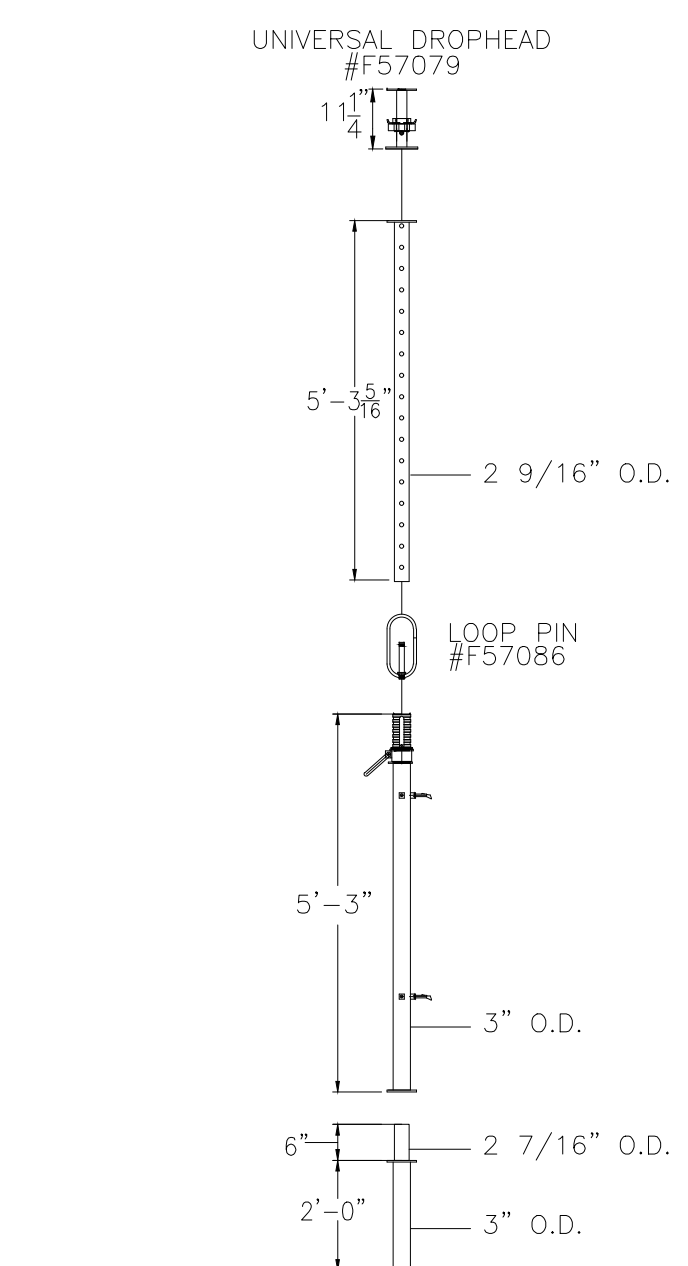
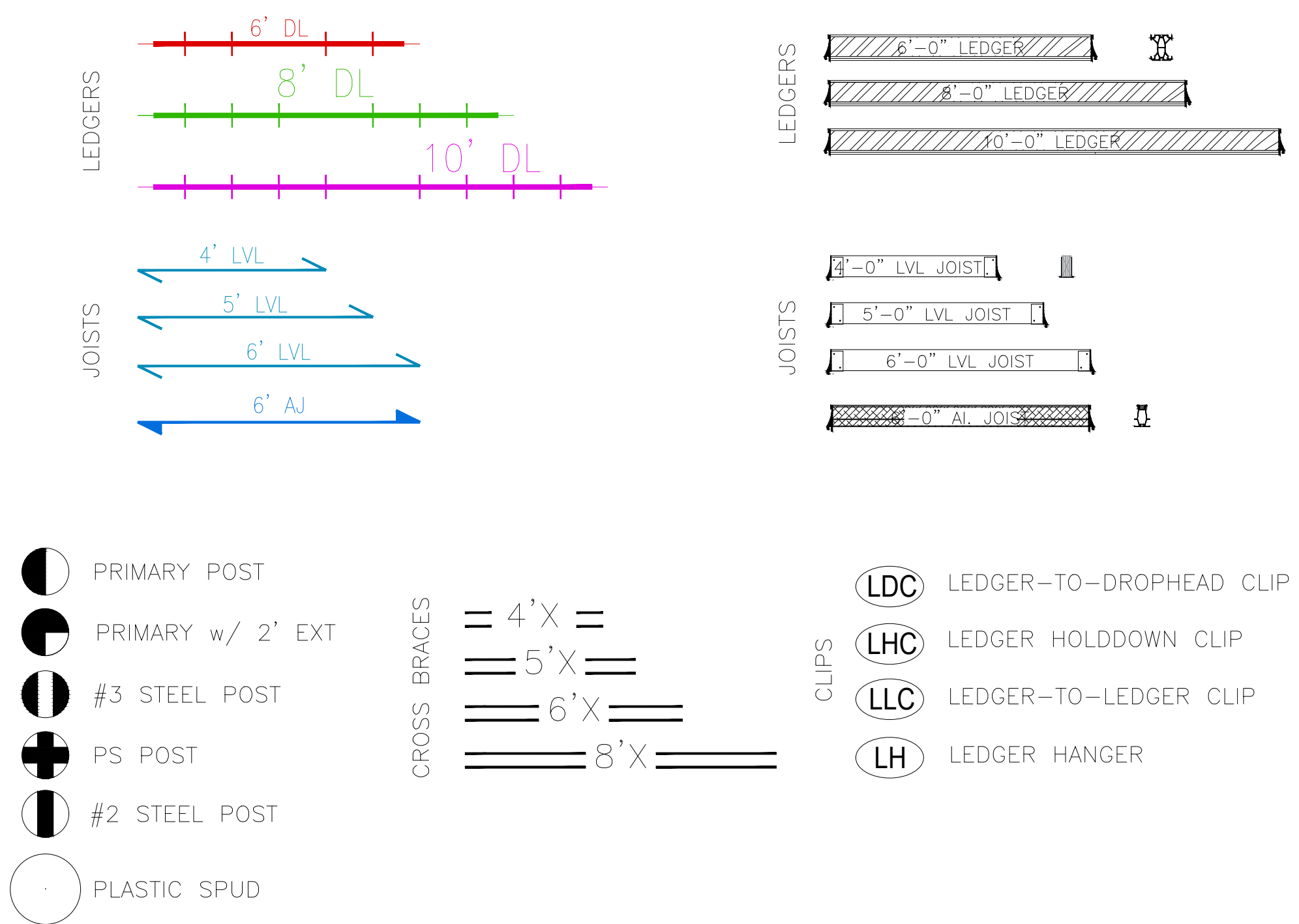


ORIGINAL SIZE OF THIS DRAWING IS 22" x 34"

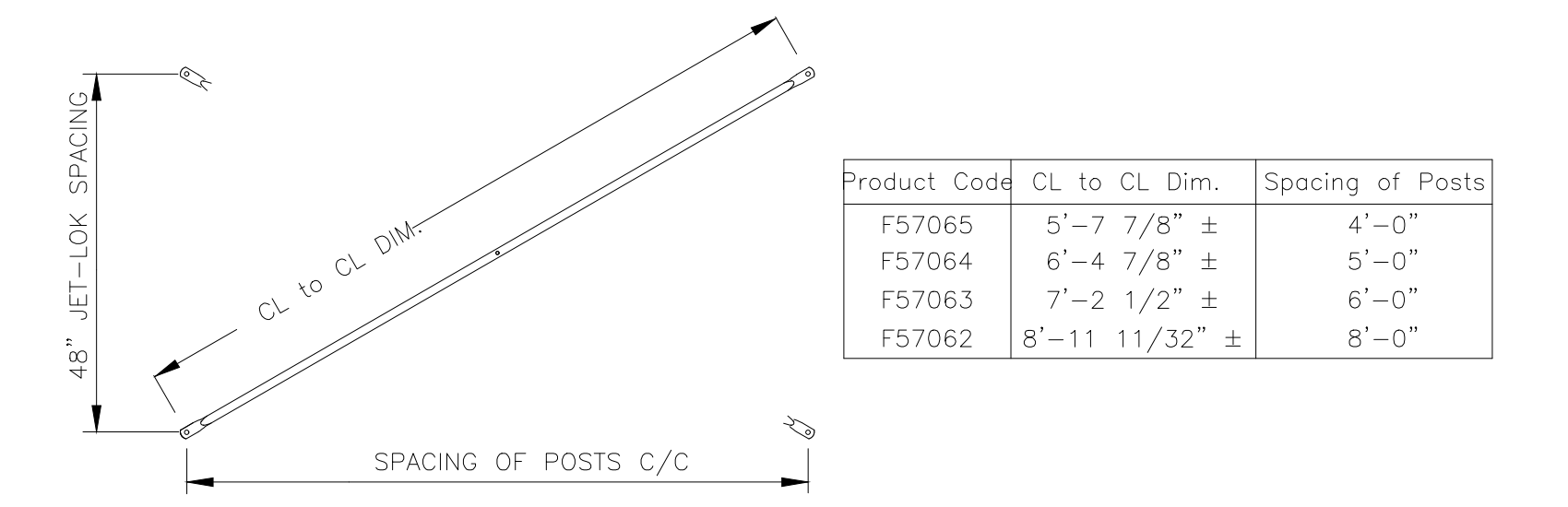


MISCELLANEOUS DETAILS

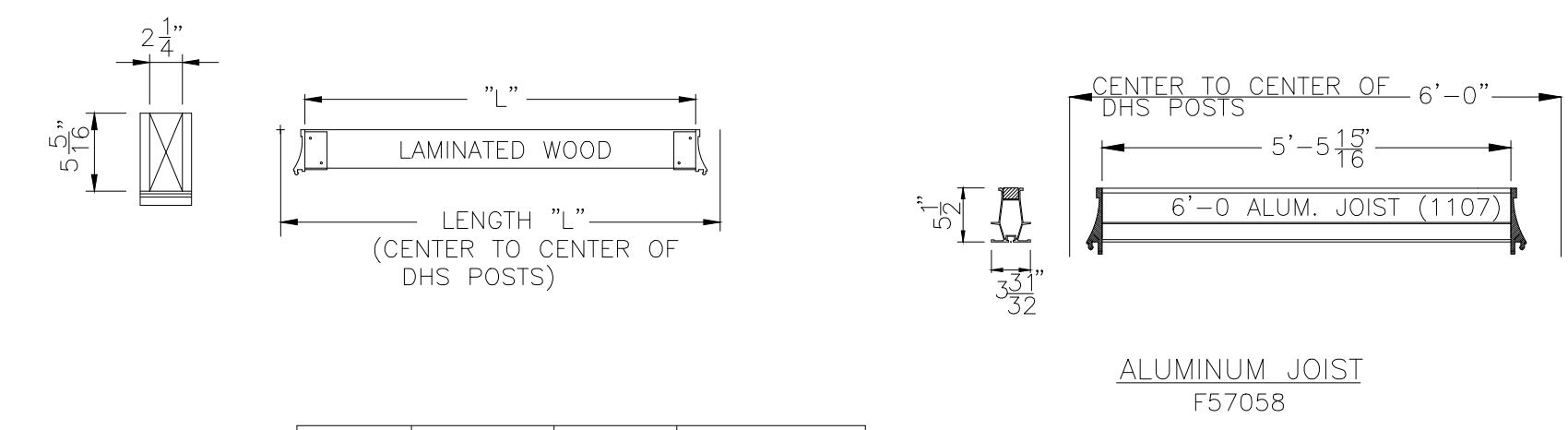
SYMONS DROPHEAD SYSTEM (DHS) LEGEND



Actual Length	Length "L"	Weight	Product Code
5'-5 15/16"	6'-0"	40.48 lbs.	F57050
7'-5 15/16"	8'-0"	53.46 lbs.	F57051
9'-5 15/16"	10'-0"	67.32 lbs.	F57052



CROSS-BRACE DETAILS



Actual Length	Length "L"	Weight	Product Code
3'-5 15/16"	4'-0"	14.5 lbs.	F57055
4'-5 15/16"	5'-0"	15.5 lbs.	F57056
5'-5 15/16"	6'-0"	18.5 lbs.	F57057

POST SHORE DETAILS

* - Add 2" to minimum dimension for stripping of post.

LEDGER DETAILS

JOIST DETAILS

SYMONS DROPHEAD SYSTEM I.D. SHEET

SYMONS
BY DAYTON SUPERIOR

1125 BYERS ROAD
MIAMISBURG, OH 45342

For Customer Service or Technical Assistance call your representative or: 1-800-800-7966

WWW.DAYTONSUPERIOR.COM

MEMBER
SCAFFOLDING, SHORING & FORMING INSTITUTE INC.

IMPORTANT SAFETY NOTE -

ALL FORMING AND SHORING COMPONENTS MUST BE INSPECTED REGULARLY FOR DAMAGE OR EXCESSIVE WEAR. EQUIPMENT FOUND TO BE DAMAGED OR EXCESSIVELY WORN MUST BE REPLACED IMMEDIATELY.

PLEASE REFER TO ALL RELATED MATERIAL AND CONTACT SYMONS FOR ANY QUESTIONS IF UNSURE OF PROPER PROCEDURES AND/OR USE.

CUSTOMER CUSTOMER 1 CUSTOMER 1	DATE
LOCATION LOCATION 1 LOCATION 2	DATE
DRAWN LM	DATE
CHECKED AJ	DATE

JOB NAME JOB 1 JOB 2	EPDb # XX-XXXX	SHEET # 0.2
JOB PHASE PHASE 1 PHASE 2		
DRAWING SUBJECT SAFETY SHEET		
ACCT MANAGER NAME		

ALL SYMONS COMPONENTS AND ACCESSORIES ARE DESIGNED WITH SAFETY AND PERFORMANCE IN MIND. THE APPLICATION NOTES ON THIS SHEET WILL HELP YOU ACHIEVE A SAFE AND PRODUCTIVE FORMING OPERATION. IT IS RECOMMENDED THAT ALL CONSTRUCTION PERSONNEL THOROUGHLY FAMILIARIZE THEMSELVES AND COMPLY WITH THE APPLICABLE INDUSTRY STANDARDS AND SAFE PRACTICES ESTABLISHED BY THE AMERICAN CONCRETE INSTITUTE, AMERICAN NATIONAL STANDARDS INSTITUTE, THE OCCUPATIONAL SAFETY AND HEALTH ADMINISTRATION, AND THE SCAFFOLDING, SHORING, AND FORMING INSTITUTE.

DRAWING FILE PATH: C:\USERS\JAMAA\DESKTOP\SYMONS TRAINING 2015-05-05\VIEW TEMPLATE (DHS)\SYMONS DROPHEAD SYSTEM - I.D.SHEET.DWG