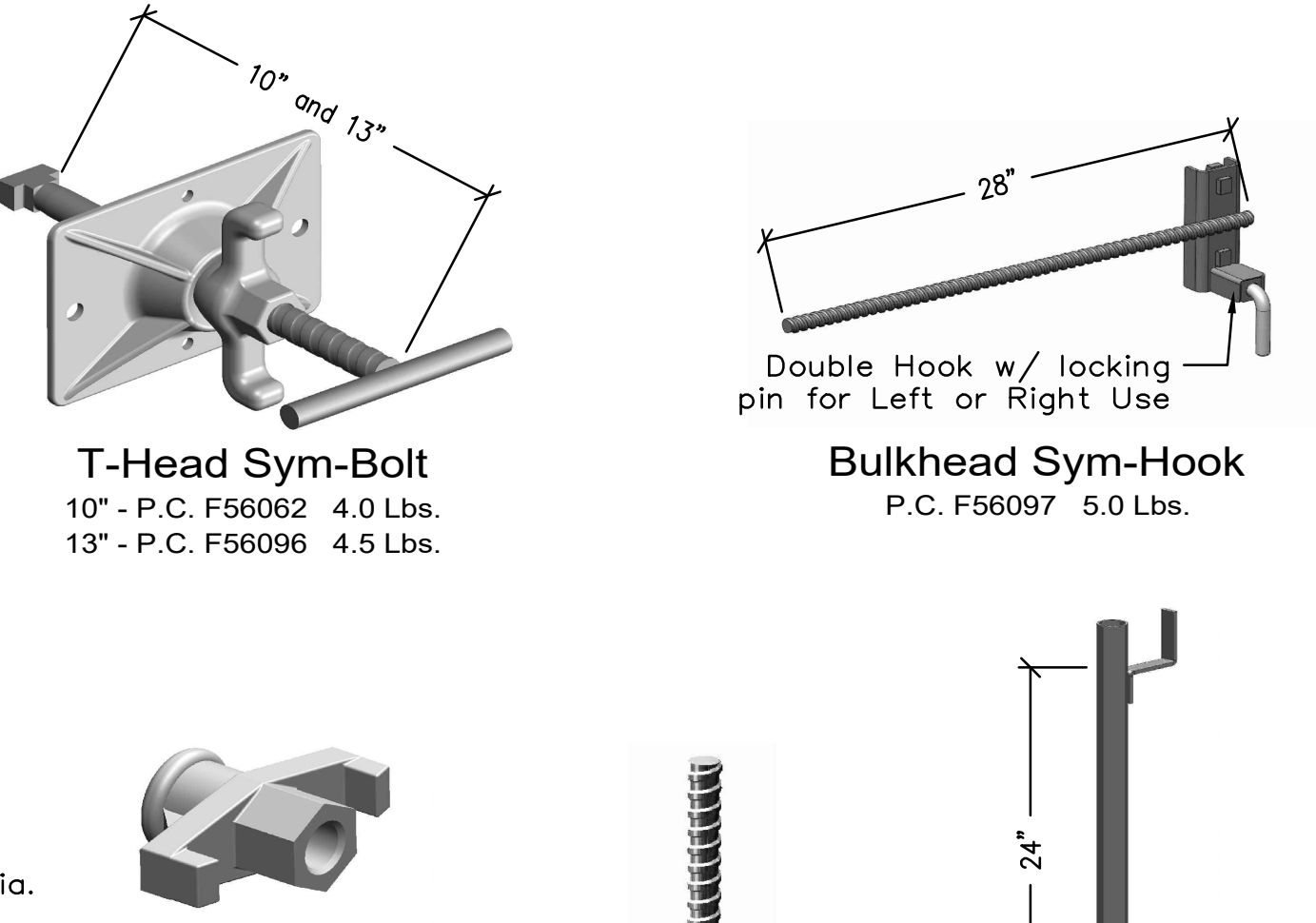
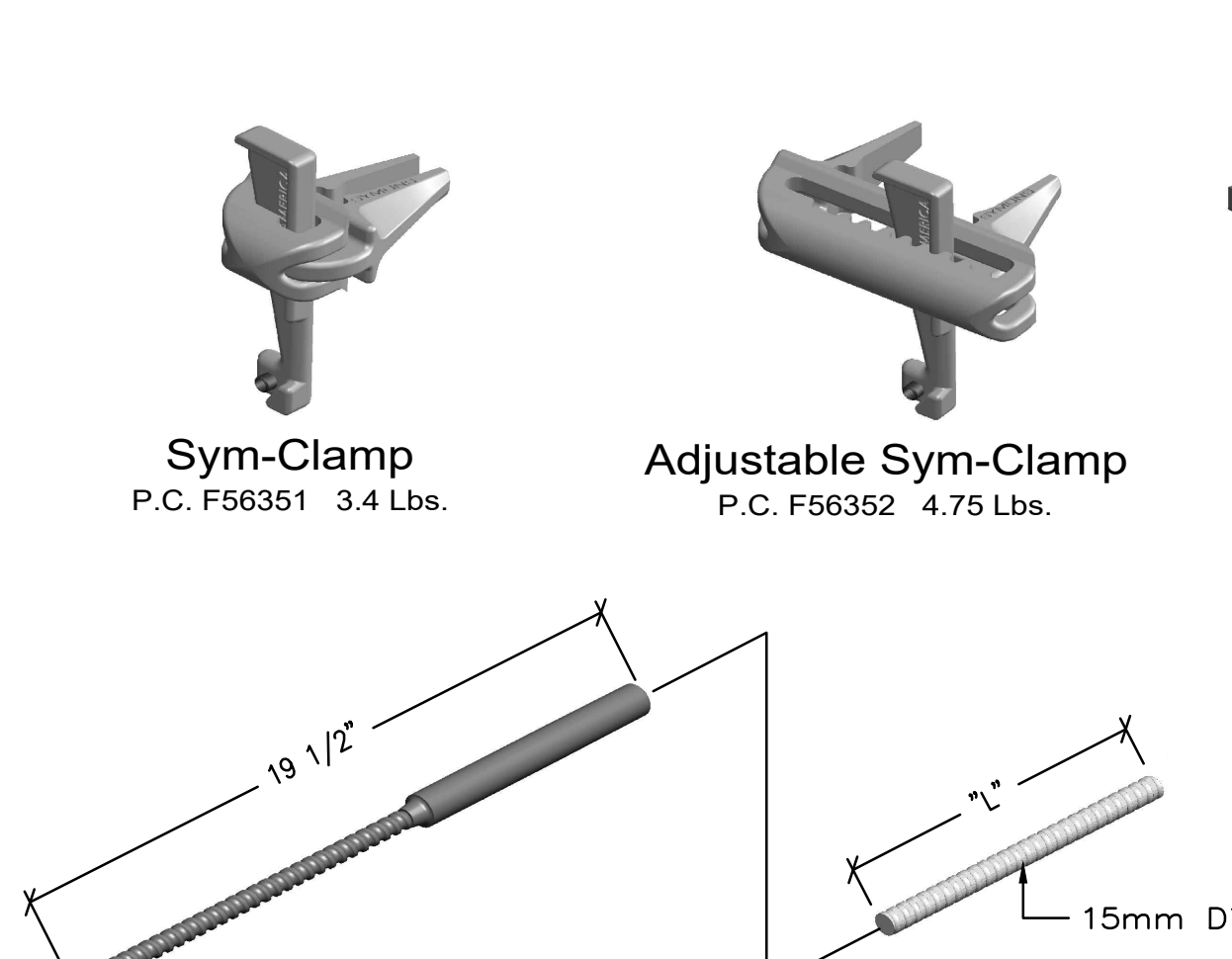
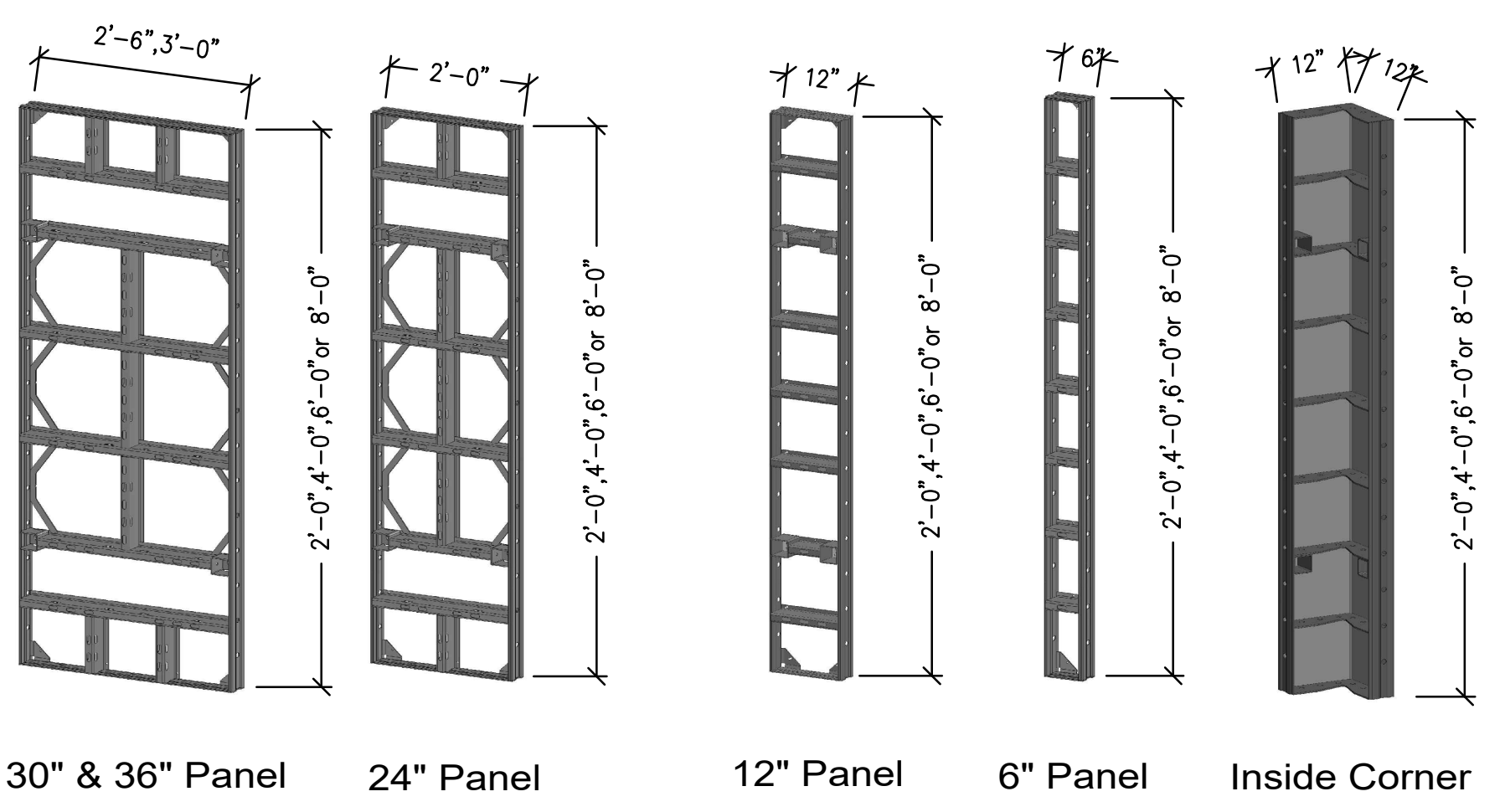
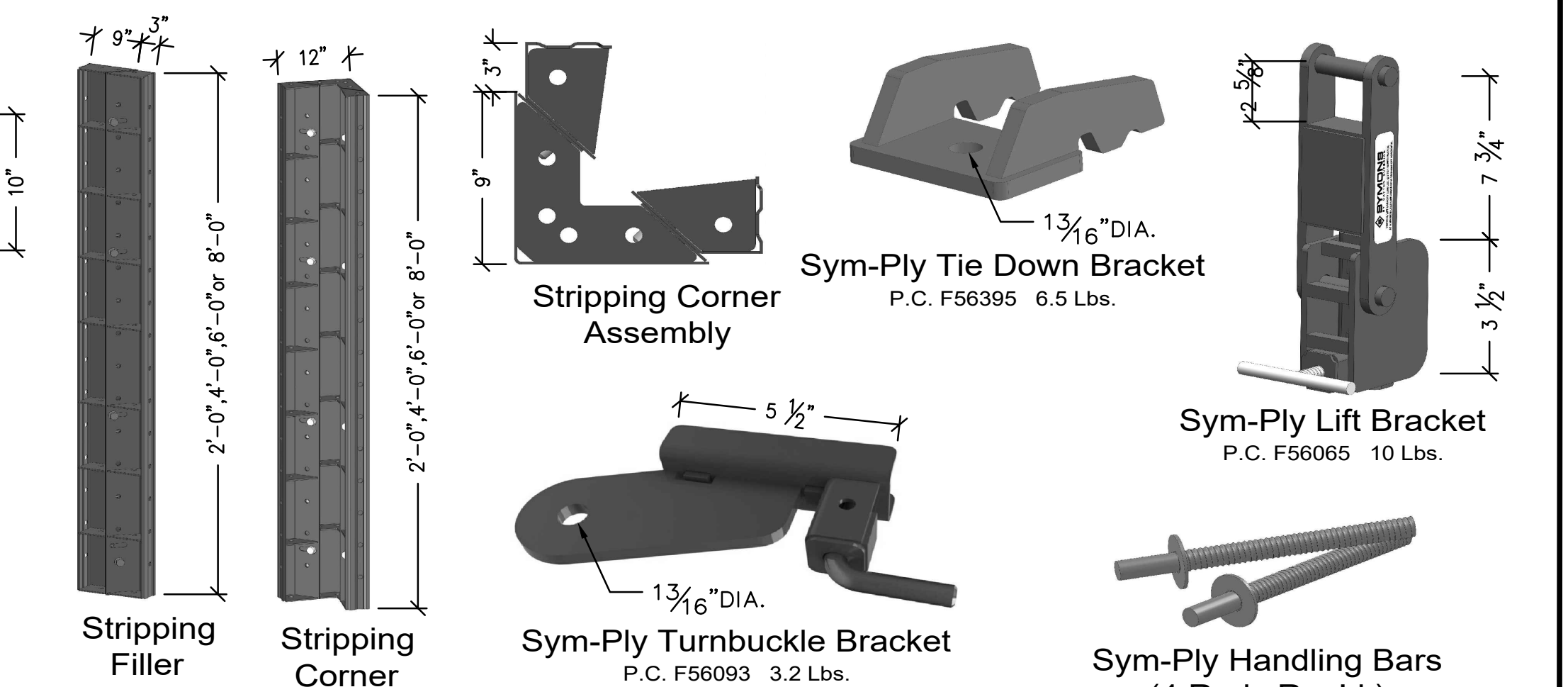
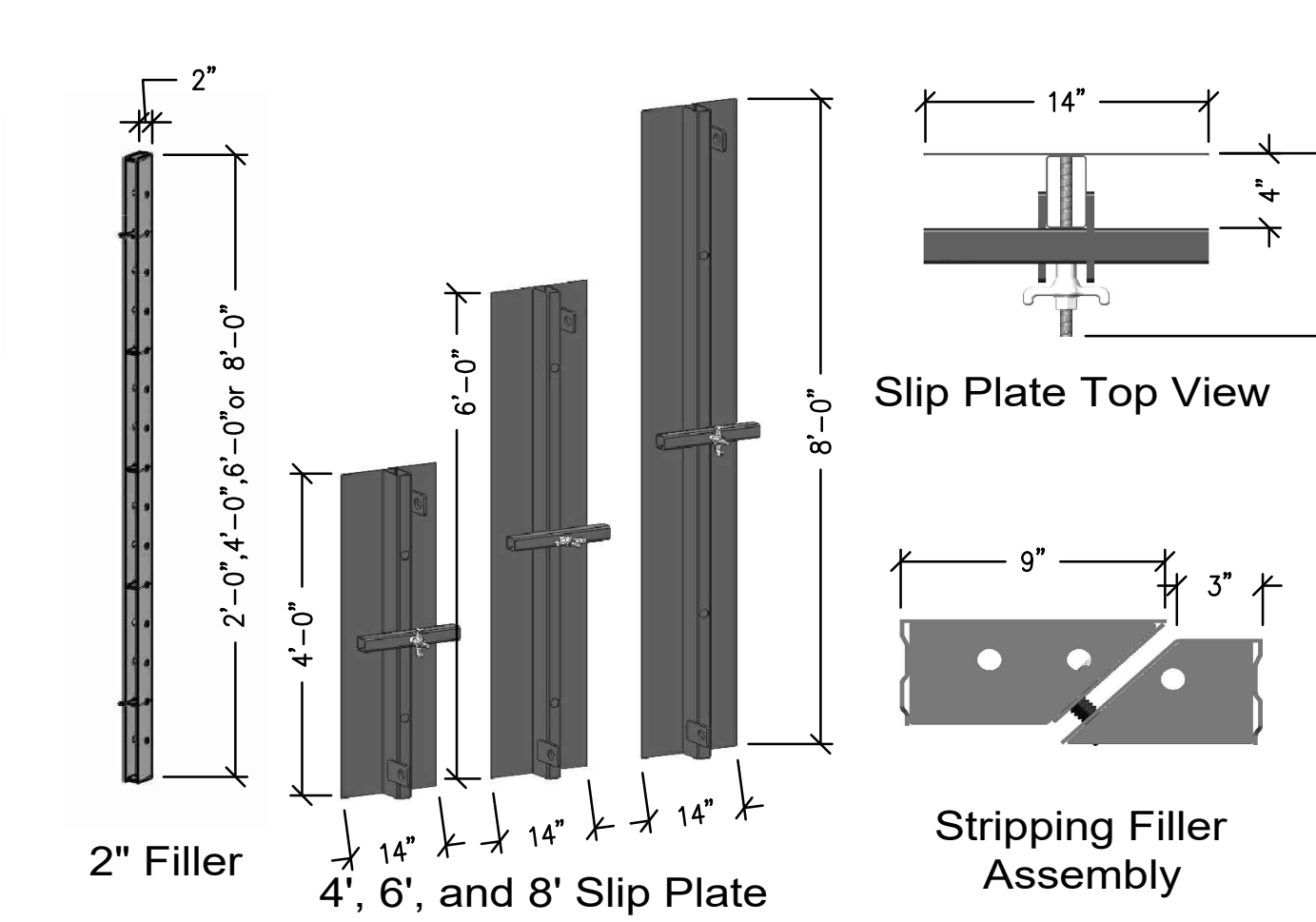
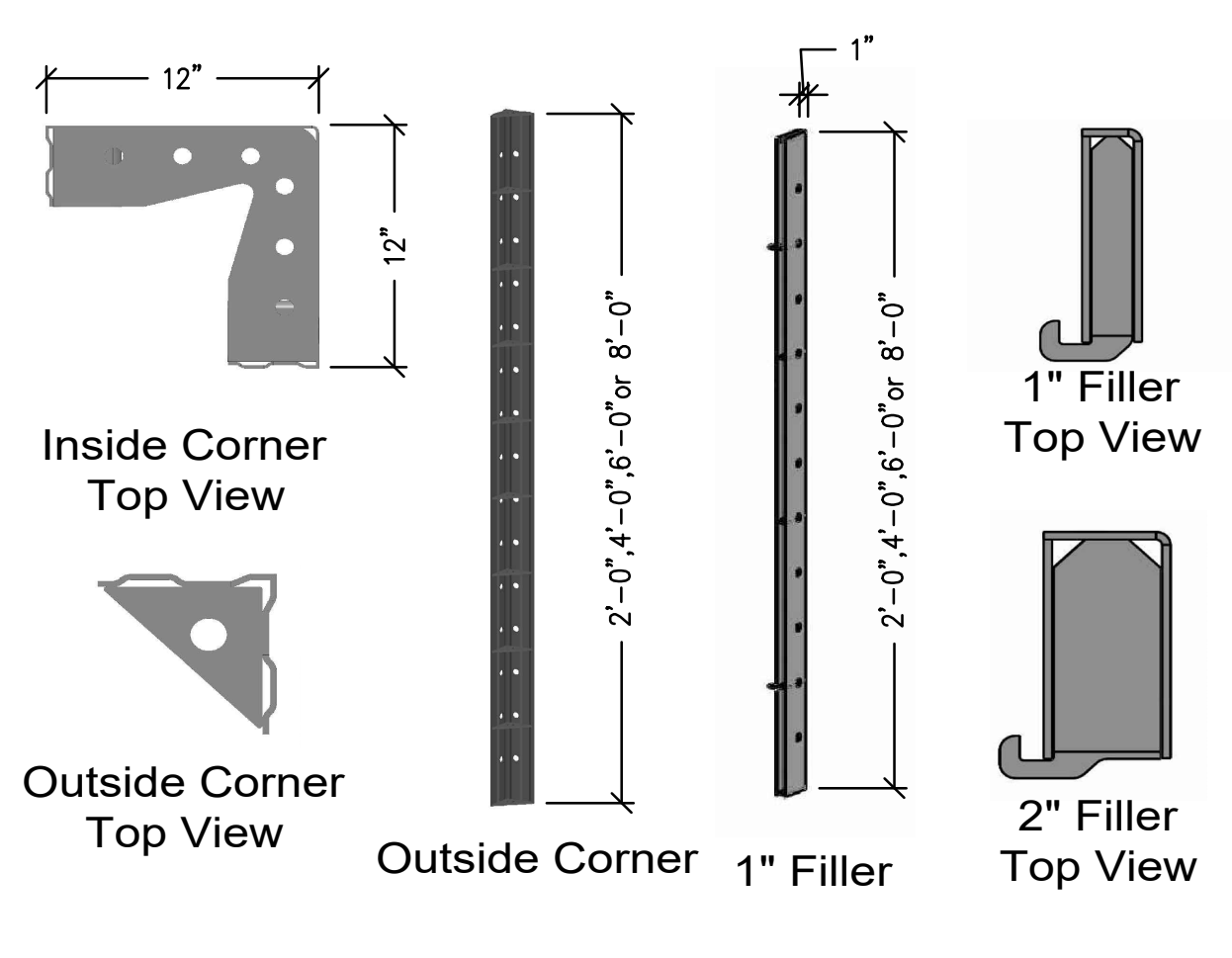
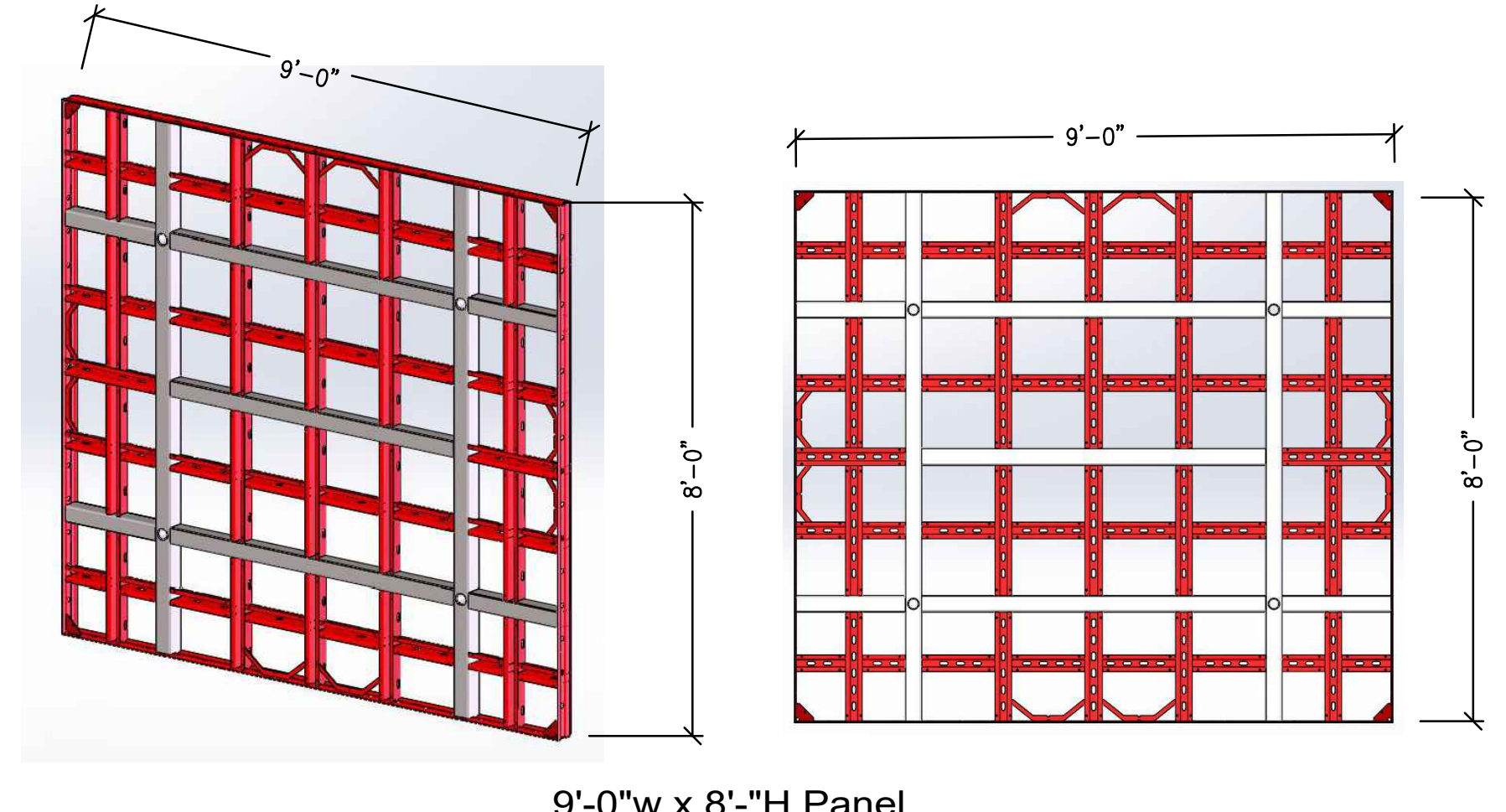


Sym-Ply® IDENTIFICATION SHEET

THIS CHART WILL ASSIST IN ORDER PREPARATION AND IN THE PREPARATION OF RETURN EQUIPMENT LISTS FOR ALL SYM-PLY SYSTEM COMPONENTS AND ASSOCIATED COMPONENTS. WHEN PLACING AN ORDER EITHER BY MAIL OR BY PHONE, PLEASE IDENTIFY EACH COMPONENT BY ITS CORRECT NAME AND PRODUCT CODE NUMBER. SHOULD YOU HAVE ANY QUESTIONS ABOUT AVAILABILITY OF A SPECIAL PRODUCT, PLEASE CONTACT YOUR SYMONS ACCOUNT MANAGER OR SYMONS DISTRIBUTION CENTER.



CODE	PRODUCT	Weight (lbs.)	CODE	PRODUCT	Weight (lbs.)	CODE	PRODUCT	Weight (lbs.)
F56000	108"x8" Panel	800	F56006	6"x8" Panel	53	F56035	8" Outside Corner	36
F56001	36"x8" Panel	166	F56007	2"x8" Filler	38	F56036	6" Outside Corner	28
F56011	36"x6" Panel	134	F56017	2"x6" Filler	29	F56037	4" Outside Corner	18
F56021	36"x4" Panel	88	F56027	2"x4" Filler	20			
F56041	36"x2" Panel	54	F56029	1"x4" Filler	17			
F56002	30"x8" Panel	151	F56009	14"x8" Slip Plate	71		Hardware & Accessories	
F56012	30"x6" Panel	117	F56019	14"x6" Slip Plate	64	F32191	3/4"x2" Speed Bolt	0.3600
F56022	30"x4" Panel	78	F56029	14"x4" Slip Plate	39	F32193	3/4" Speed Nut	0.1800
F56042	30"x2" Panel	47	F56031	12"x8" Inside Corner	171	F40296	3/4" Hardened Washer	0.0300
F56003	24"x8" Panel	128	F56032	12"x6" Inside Corner	133			
F56013	24"x6" Panel	106	F56033	12"x4" Inside Corner	93			
F56023	24"x4" Panel	72						
F56043	24"x2" Panel	38						
F56005	12"x8" Panel	80						
F56015	12"x6" Panel	69						
F56025	12"x4" Panel	43						
F56045	12"x2" Panel	28						

