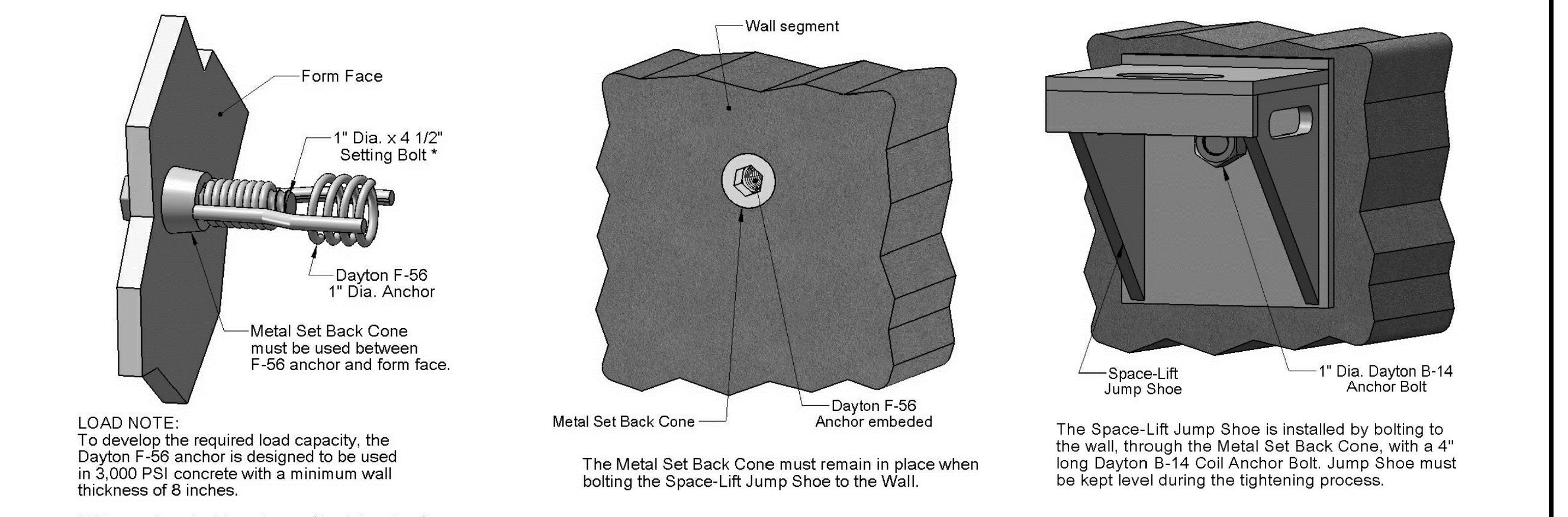
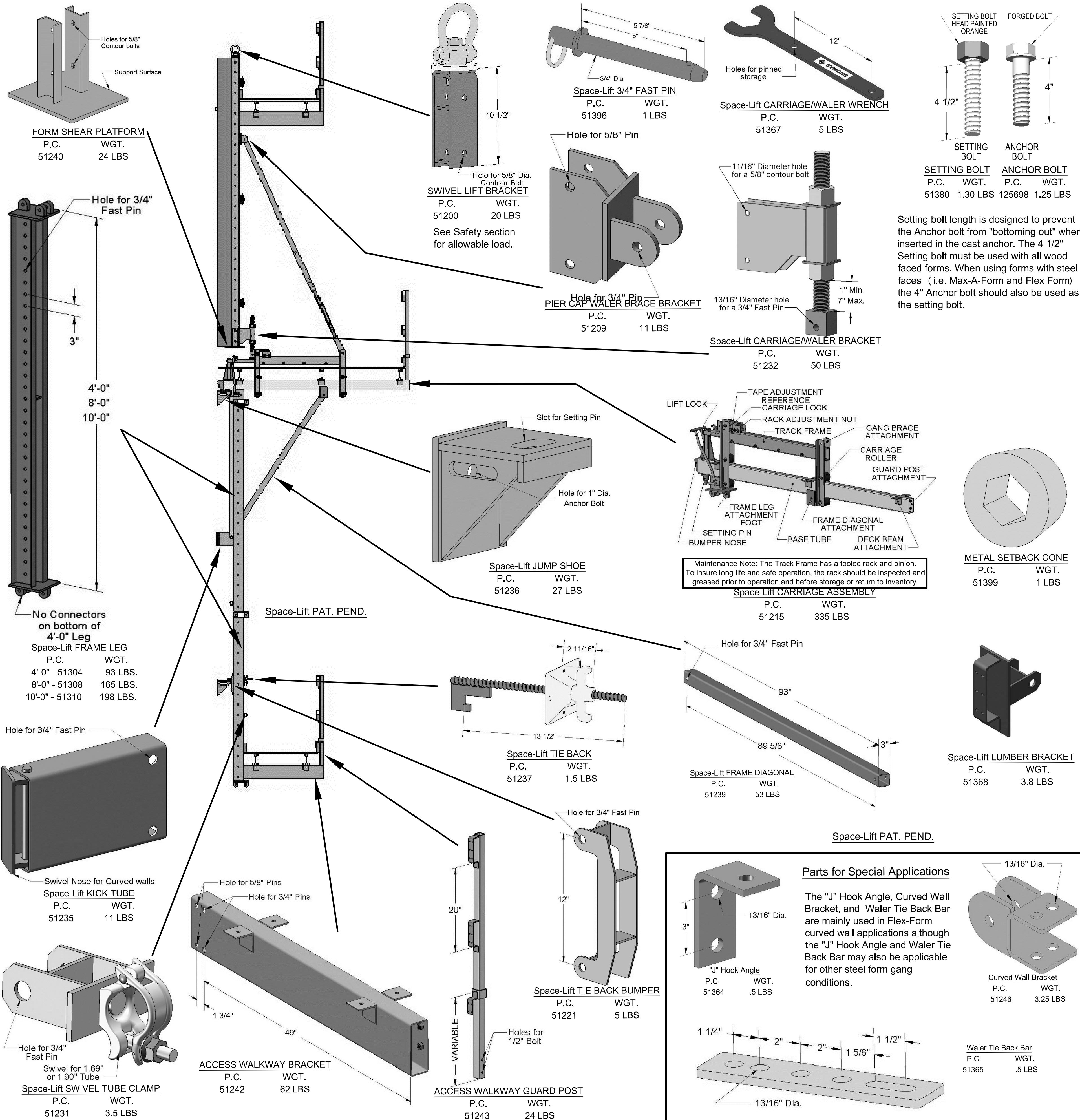


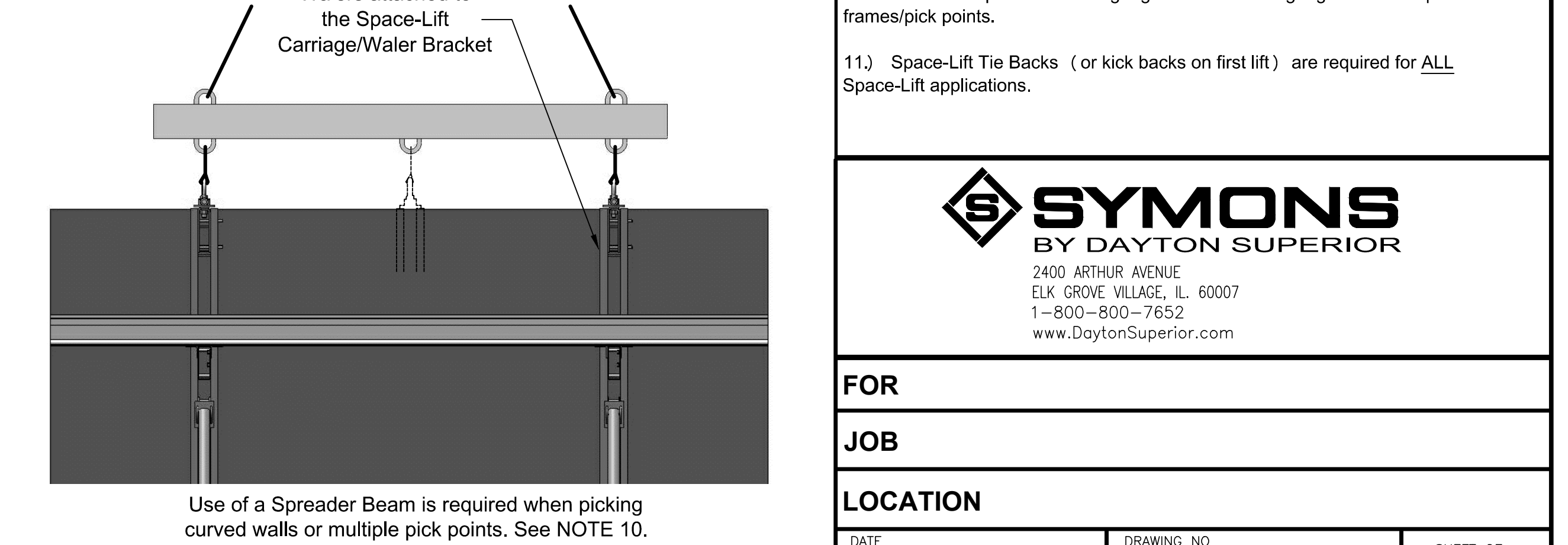
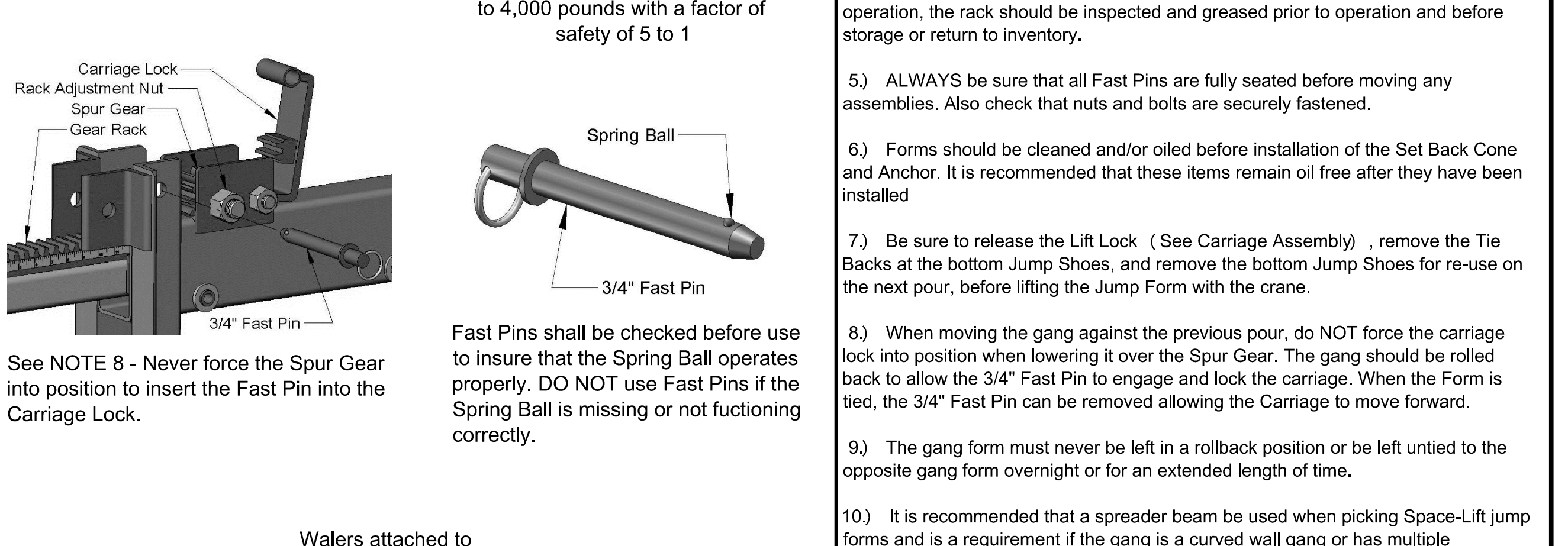
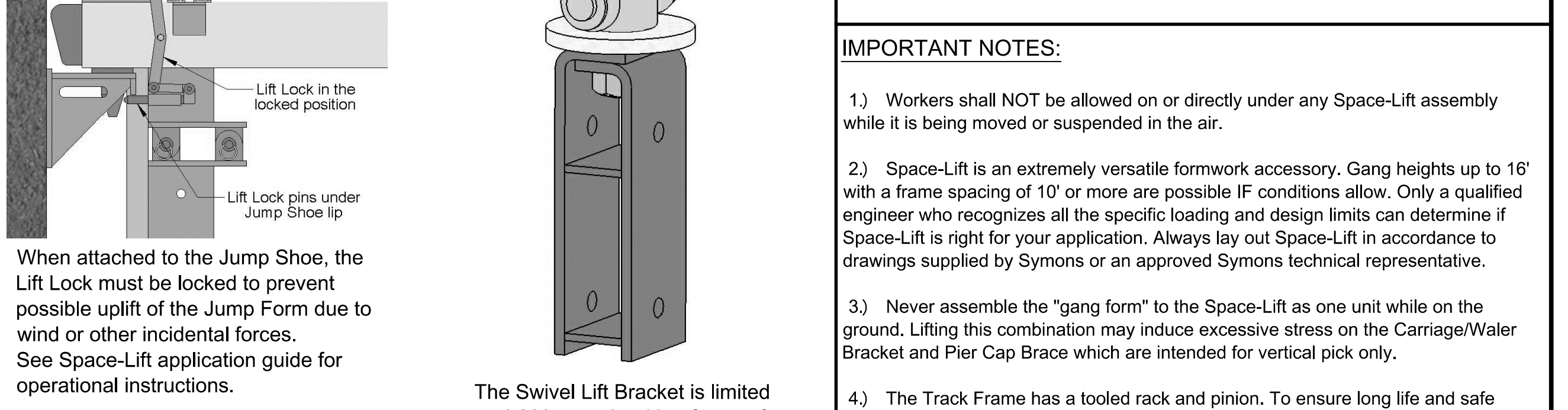
Space-Lift™ IDENTIFICATION

SAFETY SHEET

THIS CHART WILL ASSIST IN ORDER PREPARATION AND IN THE PREPARATION OF RETURN EQUIPMENT LISTS FOR ALL SPACE-LIFT SYSTEM COMPONENTS AND ASSOCIATED COMPONENTS. WHEN PLACING AN ORDER EITHER BY MAIL OR BY PHONE, PLEASE IDENTIFY EACH COMPONENT BY ITS CORRECT NAME AND PRODUCT CODE NUMBER. SHOULD YOU HAVE ANY QUESTIONS ABOUT AVAILABILITY OF A SPECIAL PRODUCT, PLEASE CONTACT YOUR SYMONS ACCOUNT MANAGER OR SYMONS DISTRIBUTION CENTER.



All Symons components and accessories are designed with safety and performance in mind. The application notes on this sheet will help you achieve a safe and productive forming operation. It is recommended that all construction personnel thoroughly familiarize themselves and comply with the applicable industry standards and safe practices established by the American Concrete Institute, American National Standards Institute, the Occupational Safety and Health Administration, and The Scaffolding, Shoring and Forming institute.



See the Space-Lift Application Guide for specific assembly instructions.

SYMONS
BY DAYTON SUPERIOR

2400 ARTHUR AVENUE
ELK GROVE VILLAGE, IL 60007
1-800-800-7652
www.DaytonSuperior.com

FOR

JOB

LOCATION

DATE _____ DRAWING NO. _____ SHEET OF _____

Copyright 2011, Symons BY DAYTON SUPERIOR Space-Lift ID/Safety Sheet Rev. 5-11-17

5-2017 Symons Product Code No. 91234