



# BUILDING STRENGTH™

**TILT-UP BRACE SYSTEM**

**CONCRETE  
CONSTRUCTION  
SOLUTIONS**

**ESTIMATING CHARTS**

*AUTHORIZED DISTRIBUTOR  
TILT-UP TRAINING*

 **SUPERIOR TILT**  
® Powered by  Tilt-Werks®

 **DAYTON**  
SUPERIOR

PAGE 01		COVER
PAGE 02		INDEX
PAGE 03		<a href="#"><u>BRACE DATA</u></a>
PAGE 04		<a href="#"><u>ESTIMATION PARAMETERS</u></a>
PAGE 05		<a href="#"><u>ESTIMATION PARAMETERS CONTINUED</u></a>
PAGE 06	8'-44' PANELS	<a href="#"><u>SUPERIOR 8-14 THROUGH SUPERIOR 22-30 - 0' ELEVATION</u></a>
PAGE 07	14'-46' PANELS	<a href="#"><u>SUPERIOR 17 - SUPERIOR 22+10 - 0' ELEVATION</u></a>
PAGE 08	22'-60' PANELS	<a href="#"><u>SUPERIOR 32 - SUPERIOR 32+10 - 0' ELEVATION</u></a>
PAGE 09	28'-75' PANELS	<a href="#"><u>SUPERIOR 32+10+10 - SUPERIOR 42 - 0' ELEVATION</u></a>
PAGE 10	39'-89' PANELS	<a href="#"><u>SUPERIOR 42+10 - SUPERIOR 62 - 0' ELEVATION</u></a>
PAGE 11	8'-46' PANELS	<a href="#"><u>SUPERIOR 8-14 THROUGH SUPERIOR 22-30 - 1' ELEVATION</u></a>
PAGE 12	15'-47' PANELS	<a href="#"><u>SUPERIOR 17 - SUPERIOR 22+10 - 1' ELEVATION</u></a>
PAGE 13	22'-62' PANELS	<a href="#"><u>SUPERIOR 32 - SUPERIOR 32+10 - 1' ELEVATION</u></a>
PAGE 14	29'-76' PANELS	<a href="#"><u>SUPERIOR 32+10+10 - SUPERIOR 42 - 1' ELEVATION</u></a>
PAGE 15	40'-91' PANELS	<a href="#"><u>SUPERIOR 42+10 - SUPERIOR 62 - 1' ELEVATION</u></a>
PAGE 16	9'-47' PANELS	<a href="#"><u>SUPERIOR 8-14 THROUGH SUPERIOR 22-30 - 2' ELEVATION</u></a>
PAGE 17	16'-49' PANELS	<a href="#"><u>SUPERIOR 17 - SUPERIOR 22+10 - 2' ELEVATION</u></a>
PAGE 18	22'-63' PANELS	<a href="#"><u>SUPERIOR 32 - SUPERIOR 32+10 - 2' ELEVATION</u></a>
PAGE 19	30'-78' PANELS	<a href="#"><u>SUPERIOR 32+10+10 - SUPERIOR 42 - 2' ELEVATION</u></a>
PAGE 20	41'-92' PANELS	<a href="#"><u>SUPERIOR 42+10 - SUPERIOR 62 - 2' ELEVATION</u></a>
PAGE 21	10'-49' PANELS	<a href="#"><u>SUPERIOR 8-14 THROUGH SUPERIOR 22-30 - 3' ELEVATION</u></a>
PAGE 22	17'-51' PANELS	<a href="#"><u>SUPERIOR 17 - SUPERIOR 22+10 - 3' ELEVATION</u></a>
PAGE 23	23'-65' PANELS	<a href="#"><u>SUPERIOR 32 - SUPERIOR 32+10 - 3' ELEVATION</u></a>
PAGE 24	31'-80' PANELS	<a href="#"><u>SUPERIOR 32+10+10 - SUPERIOR 42 - 3' ELEVATION</u></a>
PAGE 25	42'-94' PANELS	<a href="#"><u>SUPERIOR 42+10 - SUPERIOR 62 - 3' ELEVATION</u></a>
PAGE 26	11'-51' PANELS	<a href="#"><u>SUPERIOR 8-14 THROUGH SUPERIOR 22-30 - 4' ELEVATION</u></a>
PAGE 27	18'-52' PANELS	<a href="#"><u>SUPERIOR 17 - SUPERIOR 22+10 - 4' ELEVATION</u></a>
PAGE 28	24'-67' PANELS	<a href="#"><u>SUPERIOR 32 - SUPERIOR 32+10 - 4' ELEVATION</u></a>
PAGE 29	32'-81' PANELS	<a href="#"><u>SUPERIOR 32+10+10 - SUPERIOR 42 - 4' ELEVATION</u></a>
PAGE 30	43'-96' PANELS	<a href="#"><u>SUPERIOR 42+10 - SUPERIOR 62 - 4' ELEVATION</u></a>
PAGE 31	12'-52' PANELS	<a href="#"><u>SUPERIOR 8-14 THROUGH SUPERIOR 22-30 - 5' ELEVATION</u></a>
PAGE 32	19'-54' PANELS	<a href="#"><u>SUPERIOR 17 - SUPERIOR 22+10 - 5' ELEVATION</u></a>
PAGE 33	25'-68' PANELS	<a href="#"><u>SUPERIOR 32 - SUPERIOR 32+10 - 5' ELEVATION</u></a>
PAGE 34	33'-83' PANELS	<a href="#"><u>SUPERIOR 32+10+10 - SUPERIOR 42 - 5' ELEVATION</u></a>
PAGE 35	44'-97' PANELS	<a href="#"><u>SUPERIOR 42+10 - SUPERIOR 62 - 5' ELEVATION</u></a>
PAGE 36		<a href="#"><u>DEADMAN DIMENSIONS</u></a>
PAGE 37		<a href="#"><u>DEADMAN SIZE BY BRACE LOAD</u></a>
PAGE 38		<a href="#"><u>DEADMAN SIZE BY BRACE SIZE</u></a>
PAGE 39		<a href="#"><u>NOTES &amp; SKETCHES</u></a>

## Estimating Tilt-Up Braces

Dayton Superior uses the wind load procedures described in the Tilt-Up Concrete Association Guideline for Temporary Wind Bracing of Tilt-Up Panels During Construction – TCA Guideline to determine the wind loads that are applied to an erected tilt-up panel.

The TCA Guideline 18.1, dated March 23, 2018, recommends a strength level construction wind speed of 80mph. At the discretion of the customer, a higher wind speed may be required. Also, if a tilt-up building is under construction and a hurricane is forecast for that part of the country, additional braces may be required to be installed prior to the hurricane coming on land.

## Brace Maintenance

During the construction process, braces may be exposed to adverse conditions that could damage or render them unusable. Braces should be inspected for proper operation, damage and wear after each use.

This inspection is typically performed by Dayton Superior or Dayton's Certified Tilt-Up Dealer when the braces are returned. However, when braces are transferred from one job to another without being returned to Dayton Superior or its dealer for maintenance, the user must inspect all braces prior to their being reused. This inspection should check for missing parts, parts wear, dings, kinks, straightness, indication of any application of heat and/or other damage.

Any brace that shows signs of wear, has missing parts, damage, or is questionable should be set aside and not used.

## Dayton Superior Tilt-Up Braces

NEW NAME	OLD NAME	OVERALL BRACE LENGTH	PRODUCT DESCRIPTION	BRACE WEIGHT (LBS)
Superior 5-8	B0	Adjustable - See Product Description	5'-0" to 8'-0"	60
Superior 8-14	B1A	Adjustable - See Product Description	8'-0" to 14'-0"	87
Superior 14-23	B4	Adjustable - See Product Description	14'-6" to 23'-6"	130
Superior 22-30	B5	Adjustable - See Product Description	22'-6" to 30'-10"	208
Superior 17	B7	17'-0"	17'-0" Fixed Length	107
Superior 22	B8	22'-0"	22'-0" Fixed Length	130
Superior 22+5	B9	27'-0"	22'-0" Fixed Length + 5'-0" Extension Pipe	172
Superior 22+10	B10	32'-0"	22'-0" Fixed Length + 10'-0" Extension Pipe	193
Superior 32	B12A	32'-0"	32'-0" Fixed Length	245
Superior 33 HD	B17S	33'-0"	33'-0" Fixed Length (Large Diameter HD Pipe)	489
Superior 32+5	B16	37'-0"	32'-0" Fixed Length + 5'-0" Extension Pipe	360
Superior 32+10	B14	42'-0"	32'-0" Fixed Length + 10'-0" Extension Pipe	382
Superior 32+10+10	B15	52'-0"	32'-0" Fixed Length + (2) 10'-0" Extension Pipe	410
Superior 42	B17A	42'-0"	42'-0" Fixed Length	613
Superior 42+10	B18A	52'-0"	42'-0" Fixed Length + 10'-0" Extension Pipe	904
Superior 52	B18	52'-0"	52'-0" Fixed Length	984
Superior 62**	B20	62'-0"	52'-0" Fixed Length + 10'-0" Extension Pipe	1,275

Notes: Field assembly is required for Superior 32+10 (B14), Superior 32+10+10 (B15), and Superior 62 (B20) braces.

Fixed length allows for +/-9" of adjustment except Superior 42 (B17A) brace has +/-7.5" of adjustment.

Pipe Extensions: T15 for the Superior 22 (B8) model and T20 for the Superior 32 (B12) model.

\*Ultimate Load based on adequate brace to HGA or slab connection.

\*\*Not available for rental



4. The values in the following tables are for our normal 3/4/5 brace arrangement which places the brace at approximately a 53 degree angle between the floor slab and the brace. The Brace Angle may vary from 50 to 60 degrees without significantly reducing brace values. However. The “V” and “X” dimensions must also be adjusted to fit.
5. In most cases, our brace estimating charts are based on the braces being installed with a normal “V” dimension of 2/3 “H”. However, in some cases, in order for a certain brace to fit a given panel, the braces are located on a “V” dimension as short as .6 “H” or as large as “H” less 1’-6”. Actual number and placement of braces will be determined by Dayton Superior during detailing.
6. Dayton Superior brace estimating charts are based on the following minimum panel thickness for a given panel height:
  - 4” thick panels to a maximum height of 25 feet
  - 5” thick panels to a maximum height of 30 feet
  - 6” thick panels to a maximum height of 35 feet
  - 7” thick panels to a maximum height of 40 feet
  - 8” thick panels to a maximum height of 45 feet
  - 9” thick panels to a maximum height of 50 feet

*Note: Depending on panel thickness and height, a double mat of reinforcing steel may be required to safely resist the bending stresses induced into the panel by the wind load.*

The following brace estimation charts are based on solid, full height panels with a height-to-width ratio of 2:1 setting on footings. It should be noted that the values listed will not be applicable to all job site conditions.

If you are asked to estimate braces for special conditions not covered in these brace estimating charts, please contact Dayton Superior Technical Services at 877-266-7732 for assistance.

Estimated Allowable Panel Width (ft) Per Brace <sup>1</sup>												
Distance from bottom of panel to F.F. (Y) = 0.00 ft and Exposure Categories A, B and C												
Brace	Superior 8-14				Superior 14-23				Superior 22-30			
Brace Length "L"	8'-0" to 14'-0"				14'-6" to 23'-6"				22'-6" to 29'-0"			
Panel Height "H"	S <sup>2</sup>	L <sup>3</sup>	(V+Y) <sup>4</sup>	X <sup>5</sup>	S <sup>2</sup>	L <sup>3</sup>	(V+Y) <sup>4</sup>	X <sup>5</sup>	S <sup>2</sup>	L <sup>3</sup>	(V+Y) <sup>4</sup>	X <sup>5</sup>
8	19.0	7.5	6.0	4.5	-	-	-	-	-	-	-	-
9	19.0	7.5	6.0	4.5	-	-	-	-	-	-	-	-
10	19.0	7.9	6.3	4.8	-	-	-	-	-	-	-	-
11	19.0	8.3	6.7	5.0	-	-	-	-	-	-	-	-
12	19.0	9.1	7.3	5.5	-	-	-	-	-	-	-	-
13	19.0	10.8	8.6	6.5	19.0	15.0	10.6	10.6	-	-	-	-
14	19.0	10.8	8.6	6.5	19.0	15.0	12.0	9.0	-	-	-	-
15	19.0	11.7	9.3	7.0	19.0	15.0	12.0	9.0	-	-	-	-
16	16.1	12.4	9.9	7.5	19.0	15.0	12.0	9.0	-	-	-	-
17	12.7	13.3	10.6	8.0	19.0	15.0	12.0	9.0	-	-	-	-
18	10.1	13.3	11.5	6.6	19.0	15.0	12.0	9.0	19.0	22.5	15.9	15.9
19	8.9	13.3	11.5	6.6	19.0	15.0	12.0	9.0	19.0	22.5	15.9	15.9
20	-	-	-	-	19.0	16.7	13.3	10.0	19.0	22.5	18.0	13.5
21	-	-	-	-	17.3	16.7	13.3	10.0	19.0	22.5	18.0	13.5
22	-	-	-	-	15.6	16.7	13.3	10.0	19.0	22.5	18.0	13.5
23	-	-	-	-	13.6	17.5	14.0	10.5	17.6	22.5	18.0	13.5
24	-	-	-	-	10.5	18.3	14.6	11.0	16.0	22.5	18.0	13.5
25	-	-	-	-	8.2	19.2	15.3	11.5	14.6	22.5	18.0	13.5
26	-	-	-	-	7.1	20.0	16.0	12.0	13.4	22.5	18.0	13.5
27	-	-	-	-	5.0	21.7	17.3	13.0	12.3	22.5	18.0	13.5
28	-	-	-	-	4.6	21.7	17.3	13.0	11.4	22.5	18.0	13.5
29	-	-	-	-	4.0	22.5	18.0	13.5	10.5	22.5	18.0	13.5
30	-	-	-	-	3.3	23.3	18.6	14.0	9.0	23.3	18.6	14.0
31	-	-	-	-	3.1	23.3	18.6	14.0	8.4	23.3	18.6	14.0
32	-	-	-	-	2.6	23.3	20.2	11.7	7.3	24.2	19.3	14.5
33	-	-	-	-	2.4	23.3	20.2	11.7	6.3	25.0	20.0	15.0
34	-	-	-	-	-	-	-	-	4.9	25.8	20.6	15.5
35	-	-	-	-	-	-	-	-	3.9	26.7	21.3	16.0
36	-	-	-	-	-	-	-	-	3.4	27.5	22.0	16.5
37	-	-	-	-	-	-	-	-	2.7	28.3	22.6	17.1
38	-	-	-	-	-	-	-	-	2.2	29.2	23.3	17.6
39	-	-	-	-	-	-	-	-	2.0	30.0	24.0	18.1
40	-	-	-	-	-	-	-	-	1.6	30.8	24.6	18.6
41	-	-	-	-	-	-	-	-	1.5	30.8	24.6	18.6
42	-	-	-	-	-	-	-	-	1.3	30.8	26.7	15.4
43	-	-	-	-	-	-	-	-	1.2	30.8	26.7	15.4
44	-	-	-	-	-	-	-	-	1.2	30.8	26.7	15.4
45	-	-	-	-	-	-	-	-	-	-	-	-
46	-	-	-	-	-	-	-	-	-	-	-	-
47	-	-	-	-	-	-	-	-	-	-	-	-
48	-	-	-	-	-	-	-	-	-	-	-	-
49	-	-	-	-	-	-	-	-	-	-	-	-
50	-	-	-	-	-	-	-	-	-	-	-	-
51	-	-	-	-	-	-	-	-	-	-	-	-
52	-	-	-	-	-	-	-	-	-	-	-	-
53	-	-	-	-	-	-	-	-	-	-	-	-
54	-	-	-	-	-	-	-	-	-	-	-	-

Notes:

1. This estimating chart assumes that the brace top and bottom connections (i.e. panel or slab connection) are sufficient enough to achieve full brace capacity.
2. "S" indicates the maximum allowable horizontal spacing of the braces in feet.
3. "L" indicates the length of brace in feet.
4. "(V+Y)" indicates the vertical distance from the bottom of the panel to the brace insert in feet.
5. "X" indicates the horizontal distance from the face of the panel to the base of the brace in feet.

Estimated Allowable Panel Width (ft) Per Brace <sup>1</sup>												
Distance from bottom of panel to F.F. (Y) = 0.00 ft and Exposure Categories A, B and C												
Brace	Superior 17			Superior 22			Superior 22+5			Superior 22+10		
Brace Length "L"	17'-0"			22'-0"			22'-0" w/ 5'-0" ext.			22'-0" w/ 10'-0" ext.		
Panel Height "H"	S <sup>2</sup>	(V+Y) <sup>4</sup>	X <sup>5</sup>	S <sup>2</sup>	(V+Y) <sup>4</sup>	X <sup>5</sup>	S <sup>2</sup>	(V+Y) <sup>4</sup>	X <sup>5</sup>	S <sup>2</sup>	(V+Y) <sup>4</sup>	X <sup>5</sup>
8	-	-	-	-	-	-	-	-	-	-	-	-
9	-	-	-	-	-	-	-	-	-	-	-	-
10	-	-	-	-	-	-	-	-	-	-	-	-
11	-	-	-	-	-	-	-	-	-	-	-	-
12	-	-	-	-	-	-	-	-	-	-	-	-
13	-	-	-	-	-	-	-	-	-	-	-	-
14	19.0	12.0	12.0	-	-	-	-	-	-	-	-	-
15	19.0	12.0	12.0	-	-	-	-	-	-	-	-	-
16	19.0	13.6	10.2	-	-	-	-	-	-	-	-	-
17	19.0	13.6	10.2	-	-	-	-	-	-	-	-	-
18	19.0	13.6	10.2	19.0	15.6	15.6	-	-	-	-	-	-
19	19.0	13.6	10.2	19.0	15.6	15.6	-	-	-	-	-	-
20	19.0	13.6	10.2	19.0	17.6	13.2	-	-	-	-	-	-
21	19.0	13.6	10.2	19.0	17.6	13.2	19.0	19.1	19.1	-	-	-
22	19.0	13.6	10.2	19.0	17.6	13.2	19.0	19.1	19.1	-	-	-
23	17.4	14.7	8.5	18.7	17.6	13.2	17.6	19.1	19.1	-	-	-
24	15.9	14.7	8.5	17.0	17.6	13.2	15.4	21.6	16.2	-	-	-
25	-	-	-	15.6	17.6	13.2	14.1	21.6	16.2	13.0	22.6	22.6
26	-	-	-	14.3	17.6	13.2	12.9	21.6	16.2	12.0	22.6	22.6
27	-	-	-	13.1	17.6	13.2	11.9	21.6	16.2	11.0	22.6	22.6
28	-	-	-	12.1	17.6	13.2	11.0	21.6	16.2	9.8	25.6	19.3
29	-	-	-	11.2	17.6	13.2	10.2	21.6	16.2	9.0	25.6	19.3
30	-	-	-	9.4	19.1	11.0	9.4	21.6	16.2	8.4	25.6	19.3
31	-	-	-	8.7	19.1	11.0	8.8	21.6	16.2	7.8	25.6	19.3
32	-	-	-	-	-	-	8.2	21.6	16.2	7.3	25.6	19.3
33	-	-	-	-	-	-	7.6	21.6	16.2	6.8	25.6	19.3
34	-	-	-	-	-	-	7.1	21.6	16.2	6.4	25.6	19.3
35	-	-	-	-	-	-	6.7	21.6	16.2	6.0	25.6	19.3
36	-	-	-	-	-	-	5.7	23.4	13.5	5.6	25.6	19.3
37	-	-	-	-	-	-	5.3	23.4	13.5	5.3	25.6	19.3
38	-	-	-	-	-	-	5.0	23.4	13.5	5.0	25.6	19.3
39	-	-	-	-	-	-	-	-	-	4.7	25.6	19.3
40	-	-	-	-	-	-	-	-	-	4.4	25.6	19.3
41	-	-	-	-	-	-	-	-	-	4.2	25.6	19.3
42	-	-	-	-	-	-	-	-	-	4.0	25.6	19.3
43	-	-	-	-	-	-	-	-	-	3.4	27.7	16.0
44	-	-	-	-	-	-	-	-	-	3.2	27.7	16.0
45	-	-	-	-	-	-	-	-	-	3.1	27.7	16.0
46	-	-	-	-	-	-	-	-	-	2.9	27.7	16.0
47	-	-	-	-	-	-	-	-	-	-	-	-
48	-	-	-	-	-	-	-	-	-	-	-	-
49	-	-	-	-	-	-	-	-	-	-	-	-
50	-	-	-	-	-	-	-	-	-	-	-	-
51	-	-	-	-	-	-	-	-	-	-	-	-
52	-	-	-	-	-	-	-	-	-	-	-	-
53	-	-	-	-	-	-	-	-	-	-	-	-
54	-	-	-	-	-	-	-	-	-	-	-	-

Notes:

1. This estimating chart assumes that the brace top and bottom connections (i.e. panel or slab connection) are sufficient enough to achieve full brace capacity.
2. "S" indicates the maximum allowable horizontal spacing of the braces in feet.
3. "L" indicates the length of brace in feet.
4. "(V+Y)" indicates the vertical distance from the bottom of the panel to the brace insert in feet.
5. "X" indicates the horizontal distance from the face of the panel to the base of the brace in feet.

Estimated Allowable Panel Width (ft) Per Brace <sup>1</sup>																
Distance from bottom of panel to F.F. (Y) = 0.00 ft and Exposure Categories A, B and C																
Brace	B11 (Discontinued)				Superior 32			Superior 33 HD			B13 Discontinued			Superior 32+10		
Brace Length "L"	25'-0" to 40'-0"				32'-0"			33'-0"			27'-0"			32'-0" w/ 10'-0" ext.		
Panel Height "H"	S <sup>2</sup>	L <sup>3</sup>	(V+Y) <sup>4</sup>	X <sup>5</sup>	S <sup>2</sup>	(V+Y) <sup>4</sup>	X <sup>5</sup>	S <sup>2</sup>	(V+Y) <sup>4</sup>	X <sup>5</sup>	S <sup>2</sup>	(V+Y) <sup>4</sup>	X <sup>5</sup>	S <sup>2</sup>	(V+Y) <sup>4</sup>	X <sup>5</sup>
22	19.0	25.5	20.4	15.3	-	-	-	-	-	-	19.0	19.1	19.1	-	-	-
23	19.0	25.5	20.4	15.3	-	-	-	-	-	-	19.0	19.1	19.1	-	-	-
24	19.0	25.5	20.4	15.3	-	-	-	-	-	-	19.0	21.6	16.2	-	-	-
25	19.0	25.5	20.4	15.3	19.0	22.6	22.6	19.0	23.3	23.3	19.0	21.6	16.2	-	-	-
26	19.0	25.5	20.4	15.3	19.0	22.6	22.6	19.0	23.3	23.3	19.0	21.6	16.2	-	-	-
27	19.0	25.5	20.4	15.3	19.0	22.6	22.6	19.0	23.3	23.3	19.0	21.6	16.2	-	-	-
28	19.0	25.5	20.4	15.3	19.0	25.6	19.3	19.0	26.4	19.9	19.0	21.6	16.2	-	-	-
29	19.0	27.0	21.6	16.2	19.0	25.6	19.3	19.0	26.4	19.9	19.0	21.6	16.2	-	-	-
30	19.0	30.0	24.0	18.1	19.0	25.6	19.3	19.0	26.4	19.9	17.7	21.6	16.2	-	-	-
31	19.0	32.0	25.6	19.3	19.0	25.6	19.3	19.0	26.4	19.9	16.4	21.6	16.2	-	-	-
32	19.0	34.0	27.2	20.5	18.2	25.6	19.3	18.7	26.4	19.9	15.3	21.6	16.2	14.3	29.7	29.7
33	19.0	36.0	28.8	21.7	17.0	25.6	19.3	17.5	26.4	19.9	14.3	21.6	16.2	13.4	29.7	29.7
34	19.0	39.0	31.1	23.5	15.9	25.6	19.3	16.4	26.4	19.9	13.4	21.6	16.2	12.5	29.7	29.7
35	18.6	40.0	31.9	24.1	14.9	25.6	19.3	15.4	26.4	19.9	12.6	21.6	16.2	11.8	29.7	29.7
36	17.5	40.0	31.9	24.1	14.0	25.6	19.3	14.4	26.4	19.9	10.6	23.4	13.5	10.6	33.5	25.3
37	16.5	40.0	31.9	24.1	13.2	25.6	19.3	13.6	26.4	19.9	10.0	23.4	13.5	10.0	33.5	25.3
38	15.5	40.0	31.9	24.1	12.4	25.6	19.3	12.8	26.4	19.9	9.4	23.4	13.5	9.4	33.5	25.3
39	14.7	40.0	31.9	24.1	11.7	25.6	19.3	12.1	26.4	19.9	-	-	-	8.9	33.5	25.3
40	13.9	40.0	31.9	24.1	11.1	25.6	19.3	11.4	26.4	19.9	-	-	-	8.4	33.5	25.3
41	13.1	40.0	31.9	24.1	10.5	25.6	19.3	10.8	26.4	19.9	-	-	-	8.0	33.5	25.3
42	12.4	40.0	31.9	24.1	10.0	25.6	19.3	10.3	26.4	19.9	-	-	-	7.6	33.5	25.3
43	11.8	40.0	31.9	24.1	8.5	27.7	16.0	9.7	26.4	19.9	-	-	-	7.2	33.5	25.3
44	11.2	40.0	31.9	24.1	8.1	27.7	16.0	8.3	28.6	16.5	-	-	-	6.8	33.5	25.3
45	10.7	40.0	31.9	24.1	7.7	27.7	16.0	7.9	28.6	16.5	-	-	-	6.5	33.5	25.3
46	10.2	40.0	31.9	24.1	7.3	27.7	16.0	7.6	28.6	16.5	-	-	-	6.2	33.5	25.3
47	9.7	40.0	31.9	24.1	-	-	-	7.2	28.6	16.5	-	-	-	5.9	33.5	25.3
48	9.3	40.0	31.9	24.1	-	-	-	-	-	-	-	-	-	5.6	33.5	25.3
49	8.9	40.0	31.9	24.1	-	-	-	-	-	-	-	-	-	5.4	33.5	25.3
50	8.5	40.0	31.9	24.1	-	-	-	-	-	-	-	-	-	5.1	33.5	25.3
51	8.1	40.0	31.9	24.1	-	-	-	-	-	-	-	-	-	4.9	33.5	25.3
52	7.8	40.0	31.9	24.1	-	-	-	-	-	-	-	-	-	4.7	33.5	25.3
53	7.4	40.0	31.9	24.1	-	-	-	-	-	-	-	-	-	4.5	33.5	25.3
54	6.4	40.0	34.6	20.0	-	-	-	-	-	-	-	-	-	4.3	33.5	25.3
55	6.2	40.0	34.6	20.0	-	-	-	-	-	-	-	-	-	4.2	33.5	25.3
56	5.9	40.0	34.6	20.0	-	-	-	-	-	-	-	-	-	3.6	36.4	21.0
57	5.7	40.0	34.6	20.0	-	-	-	-	-	-	-	-	-	3.5	36.4	21.0
58	-	-	-	-	-	-	-	-	-	-	-	-	-	3.3	36.4	21.0
59	-	-	-	-	-	-	-	-	-	-	-	-	-	3.2	36.4	21.0
60	-	-	-	-	-	-	-	-	-	-	-	-	-	3.1	36.4	21.0
61	-	-	-	-	-	-	-	-	-	-	-	-	-	-	-	-
62	-	-	-	-	-	-	-	-	-	-	-	-	-	-	-	-
63	-	-	-	-	-	-	-	-	-	-	-	-	-	-	-	-
64	-	-	-	-	-	-	-	-	-	-	-	-	-	-	-	-
65	-	-	-	-	-	-	-	-	-	-	-	-	-	-	-	-
66	-	-	-	-	-	-	-	-	-	-	-	-	-	-	-	-
67	-	-	-	-	-	-	-	-	-	-	-	-	-	-	-	-
68	-	-	-	-	-	-	-	-	-	-	-	-	-	-	-	-
69	-	-	-	-	-	-	-	-	-	-	-	-	-	-	-	-
70	-	-	-	-	-	-	-	-	-	-	-	-	-	-	-	-

Notes:

1. This estimating chart assumes that the brace top and bottom connections (i.e. panel or slab connection) are sufficient enough to achieve full brace capacity.
2. "S" indicates the maximum allowable horizontal spacing of the braces in feet.
3. "L" indicates the length of brace in feet.
4. "(V+Y)" indicates the vertical distance from the bottom of the panel to the brace insert in feet.
5. "X" indicates the horizontal distance from the face of the panel to the base of the brace in feet.
6. "MTO" indicates made to order, this is not a rentable item.

Estimated Allowable Panel Width (ft) per Brace <sup>1</sup>									
Distance from bottom of panel to F.F. = 0.00 ft and Exposure Categories A, B and C									
Brace	Superior 32+10+10			Superior 32+5			Superior 42		
Brace Length "L"	32'-0" w/ 20'-0" ext.			32'-0" w/ 5'-0" ext.			42'-0"		
Panel Height "H"	S <sup>2</sup>	(V+Y) <sup>4</sup>	X <sup>5</sup>	S <sup>2</sup>	(V+Y) <sup>4</sup>	X <sup>5</sup>	S <sup>3</sup>	(V+Y) <sup>5</sup>	X <sup>6</sup>
28	-	-	-	19.0	26.2	26.2	-	-	-
29	-	-	-	19.0	26.2	26.2	-	-	-
30	-	-	-	19.0	26.2	26.2	-	-	-
31	-	-	-	19.0	26.2	26.2	-	-	-
32	-	-	-	18.7	29.5	22.3	19.0	29.7	29.7
33	-	-	-	17.4	29.5	22.3	19.0	29.7	29.7
34	-	-	-	16.3	29.5	22.3	19.0	29.7	29.7
35	-	-	-	15.3	29.5	22.3	19.0	29.7	29.7
36	-	-	-	14.4	29.5	22.3	19.0	33.5	25.3
37	-	-	-	13.5	29.5	22.3	19.0	33.5	25.3
38	-	-	-	12.8	29.5	22.3	19.0	33.5	25.3
39	8.4	36.8	36.8	12.1	29.5	22.3	19.0	33.5	25.3
40	7.9	36.8	36.8	11.4	29.5	22.3	19.0	33.5	25.3
41	7.5	36.8	36.8	10.8	29.5	22.3	19.0	33.5	25.3
42	7.1	36.8	36.8	10.2	29.5	22.3	18.4	33.5	25.3
43	6.7	36.8	36.8	9.7	29.5	22.3	17.5	33.5	25.3
44	6.2	41.5	31.3	9.2	29.5	22.3	16.6	33.5	25.3
45	5.9	41.5	31.3	8.8	29.5	22.3	15.8	33.5	25.3
46	5.6	41.5	31.3	8.4	29.5	22.3	15.0	33.5	25.3
47	5.3	41.5	31.3	8.0	29.5	22.3	14.3	33.5	25.3
48	5.1	41.5	31.3	7.6	29.5	22.3	13.7	33.5	25.3
49	4.9	41.5	31.3	7.3	29.5	22.3	13.1	33.5	25.3
50	4.6	41.5	31.3	6.3	32.0	18.5	12.5	33.5	25.3
51	4.4	41.5	31.3	6.0	32.0	18.5	12.0	33.5	25.3
52	4.3	41.5	31.3	5.7	32.0	18.5	11.5	33.5	25.3
53	4.1	41.5	31.3	5.5	32.0	18.5	11.0	33.5	25.3
54	3.9	41.5	31.3	-	-	-	10.5	33.5	25.3
55	3.8	41.5	31.3	-	-	-	10.1	33.5	25.3
56	3.6	41.5	31.3	-	-	-	8.8	36.4	21.0
57	3.5	41.5	31.3	-	-	-	8.4	36.4	21.0
58	3.3	41.5	31.3	-	-	-	8.1	36.4	21.0
59	3.2	41.5	31.3	-	-	-	7.8	36.4	21.0
60	3.1	41.5	31.3	-	-	-	7.5	36.4	21.0
61	3.0	41.5	31.3	-	-	-	-	-	-
62	2.9	41.5	31.3	-	-	-	-	-	-
63	2.8	41.5	31.3	-	-	-	-	-	-
64	2.7	41.5	31.3	-	-	-	-	-	-
65	2.6	41.5	31.3	-	-	-	-	-	-
66	2.5	41.5	31.3	-	-	-	-	-	-
67	2.4	41.5	31.3	-	-	-	-	-	-
68	2.4	41.5	31.3	-	-	-	-	-	-
69	2.3	41.5	31.3	-	-	-	-	-	-
70	2.0	45.0	26.0	-	-	-	-	-	-
71	1.9	45.0	26.0	-	-	-	-	-	-
72	1.9	45.0	26.0	-	-	-	-	-	-
73	1.8	45.0	26.0	-	-	-	-	-	-
74	1.8	45.0	26.0	-	-	-	-	-	-
75	1.7	45.0	26.0	-	-	-	-	-	-
76	-	-	-	-	-	-	-	-	-
77	-	-	-	-	-	-	-	-	-
78	-	-	-	-	-	-	-	-	-
79	-	-	-	-	-	-	-	-	-
80	-	-	-	-	-	-	-	-	-
81	-	-	-	-	-	-	-	-	-
82	-	-	-	-	-	-	-	-	-
83	-	-	-	-	-	-	-	-	-
84	-	-	-	-	-	-	-	-	-
85	-	-	-	-	-	-	-	-	-
86	-	-	-	-	-	-	-	-	-
87	-	-	-	-	-	-	-	-	-
88	-	-	-	-	-	-	-	-	-
89	-	-	-	-	-	-	-	-	-
90	-	-	-	-	-	-	-	-	-
91	-	-	-	-	-	-	-	-	-
92	-	-	-	-	-	-	-	-	-
93	-	-	-	-	-	-	-	-	-
94	-	-	-	-	-	-	-	-	-
95	-	-	-	-	-	-	-	-	-
96	-	-	-	-	-	-	-	-	-
97	-	-	-	-	-	-	-	-	-

Notes:

1. This estimating chart assumes that the brace top and bottom connections (i.e. panel or slab connection) are sufficient enough to achieve full brace capacity.
2. "S" indicates the maximum allowable horizontal spacing of the braces in feet.
3. "L" indicates the length of brace in feet.
4. "(V+Y)" indicates the vertical distance from the bottom of the panel to the brace insert in feet.
5. "X" indicates the horizontal distance from the face of the panel to the base of the brace in feet.

Estimated Allowable Panel Width (ft) per Brace <sup>1</sup>									
Distance from bottom of panel to F.F. = 0.00 ft and Exposure Categories A, B and C									
Brace	Superior 42+10			Superior 52			Superior 62		
Brace Length "L"	42'-0" w/ 10'-0" ext.			52'-0"			62'-0"		
Panel Height "H"	S <sup>3</sup>	(V+Y) <sup>5</sup>	X <sup>6</sup>	S <sup>2</sup>	(V+Y) <sup>4</sup>	X <sup>5</sup>	S <sup>2</sup>	(V+Y) <sup>4</sup>	X <sup>5</sup>
28	-	-	-	-	-	-	-	-	-
29	-	-	-	-	-	-	-	-	-
30	-	-	-	-	-	-	-	-	-
31	-	-	-	-	-	-	-	-	-
32	-	-	-	-	-	-	-	-	-
33	-	-	-	-	-	-	-	-	-
34	-	-	-	-	-	-	-	-	-
35	-	-	-	-	-	-	-	-	-
36	-	-	-	-	-	-	-	-	-
37	-	-	-	-	-	-	-	-	-
38	-	-	-	-	-	-	-	-	-
39	17.6	36.8	36.8	19.0	36.8	36.8	-	-	-
40	16.7	36.8	36.8	19.0	36.8	36.8	-	-	-
41	15.8	36.8	36.8	19.0	36.8	36.8	-	-	-
42	15.0	36.8	36.8	19.0	36.8	36.8	-	-	-
43	14.2	36.8	36.8	19.0	36.8	36.8	-	-	-
44	13.0	41.5	31.3	19.0	41.5	31.3	-	-	-
45	12.3	41.5	31.3	19.0	41.5	31.3	-	-	-
46	11.8	41.5	31.3	18.8	41.5	31.3	19.0	43.8	43.8
47	11.2	41.5	31.3	17.9	41.5	31.3	19.0	43.8	43.8
48	10.7	41.5	31.3	17.1	41.5	31.3	18.8	43.8	43.8
49	10.2	41.5	31.3	16.4	41.5	31.3	18.0	43.8	43.8
50	9.8	41.5	31.3	15.7	41.5	31.3	17.2	43.8	43.8
51	9.4	41.5	31.3	15.0	41.5	31.3	16.5	43.8	43.8
52	9.0	41.5	31.3	14.4	41.5	31.3	15.2	49.5	37.3
53	8.6	41.5	31.3	13.8	41.5	31.3	14.5	49.5	37.3
54	8.3	41.5	31.3	13.2	41.5	31.3	13.9	49.5	37.3
55	7.9	41.5	31.3	12.7	41.5	31.3	13.4	49.5	37.3
56	7.6	41.5	31.3	12.2	41.5	31.3	12.9	49.5	37.3
57	7.3	41.5	31.3	11.7	41.5	31.3	12.4	49.5	37.3
58	7.0	41.5	31.3	11.3	41.5	31.3	11.9	49.5	37.3
59	6.8	41.5	31.3	10.9	41.5	31.3	11.5	49.5	37.3
60	6.5	41.5	31.3	10.5	41.5	31.3	11.0	49.5	37.3
61	6.3	41.5	31.3	10.1	41.5	31.3	10.6	49.5	37.3
62	6.1	41.5	31.3	9.7	41.5	31.3	10.3	49.5	37.3
63	5.9	41.5	31.3	9.4	41.5	31.3	9.9	49.5	37.3
64	5.7	41.5	31.3	9.1	41.5	31.3	9.6	49.5	37.3
65	5.5	41.5	31.3	8.8	41.5	31.3	9.3	49.5	37.3
66	5.3	41.5	31.3	8.5	41.5	31.3	8.9	49.5	37.3
67	5.1	41.5	31.3	8.2	41.5	31.3	8.7	49.5	37.3
68	5.0	41.5	31.3	7.9	41.5	31.3	8.4	49.5	37.3
69	4.8	41.5	31.3	7.7	41.5	31.3	8.1	49.5	37.3
70	4.2	45.0	26.0	6.7	45.0	26.0	7.9	49.5	37.3
71	4.1	45.0	26.0	6.5	45.0	26.0	7.6	49.5	37.3
72	3.9	45.0	26.0	6.3	45.0	26.0	7.4	49.5	37.3
73	3.8	45.0	26.0	6.1	45.0	26.0	7.2	49.5	37.3
74	3.7	45.0	26.0	5.9	45.0	26.0	6.9	49.5	37.3
75	3.6	45.0	26.0	5.8	45.0	26.0	6.7	49.5	37.3
76	-	-	-	-	-	-	6.5	49.5	37.3
77	-	-	-	-	-	-	6.4	49.5	37.3
78	-	-	-	-	-	-	6.2	49.5	37.3
79	-	-	-	-	-	-	6.0	49.5	37.3
80	-	-	-	-	-	-	5.8	49.5	37.3
81	-	-	-	-	-	-	5.7	49.5	37.3
82	-	-	-	-	-	-	5.5	49.5	37.3
83	-	-	-	-	-	-	4.9	53.7	31.0
84	-	-	-	-	-	-	4.7	53.7	31.0
85	-	-	-	-	-	-	4.6	53.7	31.0
86	-	-	-	-	-	-	4.5	53.7	31.0
87	-	-	-	-	-	-	4.4	53.7	31.0
88	-	-	-	-	-	-	4.3	53.7	31.0
89	-	-	-	-	-	-	4.2	53.7	31.0
90	-	-	-	-	-	-	-	-	-
91	-	-	-	-	-	-	-	-	-
92	-	-	-	-	-	-	-	-	-
93	-	-	-	-	-	-	-	-	-
94	-	-	-	-	-	-	-	-	-
95	-	-	-	-	-	-	-	-	-
96	-	-	-	-	-	-	-	-	-
97	-	-	-	-	-	-	-	-	-

Notes:

1. This estimating chart assumes that the brace top and bottom connections (i.e. panel or slab connection) are sufficient enough to achieve full brace capacity.
2. "S" indicates the maximum allowable horizontal spacing of the braces in feet.
3. "L" indicates the length of brace in feet.
4. "(V+Y)" indicates the vertical distance from the bottom of the panel to the brace insert in feet.
5. "X" indicates the horizontal distance from the face of the panel to the base of the brace in feet.

Estimated Allowable Panel Width (ft) Per Brace <sup>1</sup>												
Distance from bottom of panel to F.F. (Y) = 1.00 ft and Exposure Categories A, B and C												
Brace	Superior 8-14				Superior 14-23				Superior 22-30			
Brace Length "L"	8'-0" to 14'-0"				14'-6" to 23'-6"				22'-6" to 29'-0"			
Panel Height "H"	S <sup>2</sup>	L <sup>3</sup>	(V+Y) <sup>4</sup>	X <sup>5</sup>	S <sup>2</sup>	L <sup>3</sup>	(V+Y) <sup>4</sup>	X <sup>5</sup>	S <sup>2</sup>	L <sup>3</sup>	(V+Y) <sup>4</sup>	X <sup>5</sup>
8	19.0	7.5	6.3	5.3	-	-	-	-	-	-	-	-
9	19.0	7.5	7.0	4.5	-	-	-	-	-	-	-	-
10	19.0	7.5	7.0	4.5	-	-	-	-	-	-	-	-
11	19.0	7.5	7.0	4.5	-	-	-	-	-	-	-	-
12	19.0	7.9	7.3	4.8	-	-	-	-	-	-	-	-
13	19.0	9.1	8.3	5.5	-	-	-	-	-	-	-	-
14	19.0	10.8	9.6	6.5	19.0	15.0	11.6	10.6	-	-	-	-
15	19.0	10.8	9.6	6.5	19.0	15.0	13.0	9.0	-	-	-	-
16	19.0	11.7	10.3	7.0	19.0	15.0	13.0	9.0	-	-	-	-
17	17.2	11.7	10.3	7.0	19.0	15.0	13.0	9.0	-	-	-	-
18	13.7	12.4	10.9	7.5	19.0	15.0	13.0	9.0	-	-	-	-
19	10.9	13.3	11.6	8.0	19.0	15.0	13.0	9.0	19.0	22.5	16.9	15.9
20	8.7	13.3	12.5	6.6	19.0	16.7	14.3	10.0	19.0	22.5	16.9	15.9
21	-	-	-	-	18.6	16.7	14.3	10.0	19.0	22.5	19.0	13.5
22	-	-	-	-	16.8	16.7	14.3	10.0	19.0	22.5	19.0	13.5
23	-	-	-	-	15.2	16.7	14.3	10.0	18.6	22.5	19.0	13.5
24	-	-	-	-	13.2	17.5	15.0	10.5	16.9	22.5	19.0	13.5
25	-	-	-	-	10.2	18.3	15.6	11.0	15.4	22.5	19.0	13.5
26	-	-	-	-	9.4	18.3	15.6	11.0	14.2	22.5	19.0	13.5
27	-	-	-	-	7.4	19.2	16.3	11.5	13.0	22.5	19.0	13.5
28	-	-	-	-	6.4	20.0	17.0	12.0	12.0	22.5	19.0	13.5
29	-	-	-	-	4.5	21.7	18.3	13.0	11.1	22.5	19.0	13.5
30	-	-	-	-	4.2	21.7	18.3	13.0	10.3	22.5	19.0	13.5
31	-	-	-	-	3.7	22.5	19.0	13.5	9.6	22.5	19.0	13.5
32	-	-	-	-	3.0	23.3	19.6	14.0	8.3	23.3	19.6	14.0
33	-	-	-	-	2.5	23.3	21.2	11.7	7.2	24.2	20.3	14.5
34	-	-	-	-	2.4	23.3	21.2	11.7	6.2	25.0	21.0	15.0
35	-	-	-	-	2.2	23.3	21.2	11.7	4.8	25.8	21.6	15.5
36	-	-	-	-	-	-	-	-	4.5	25.8	21.6	15.5
37	-	-	-	-	-	-	-	-	3.6	26.7	22.3	16.0
38	-	-	-	-	-	-	-	-	3.2	27.5	23.0	16.5
39	-	-	-	-	-	-	-	-	2.5	28.3	23.6	17.1
40	-	-	-	-	-	-	-	-	2.0	29.2	24.3	17.6
41	-	-	-	-	-	-	-	-	1.8	30.0	25.0	18.1
42	-	-	-	-	-	-	-	-	1.5	30.8	25.6	18.6
43	-	-	-	-	-	-	-	-	1.3	30.8	27.7	15.4
44	-	-	-	-	-	-	-	-	1.2	30.8	27.7	15.4
45	-	-	-	-	-	-	-	-	1.2	30.8	27.7	15.4
46	-	-	-	-	-	-	-	-	1.1	30.8	27.7	15.4
47	-	-	-	-	-	-	-	-	-	-	-	-
48	-	-	-	-	-	-	-	-	-	-	-	-
49	-	-	-	-	-	-	-	-	-	-	-	-
50	-	-	-	-	-	-	-	-	-	-	-	-
51	-	-	-	-	-	-	-	-	-	-	-	-
52	-	-	-	-	-	-	-	-	-	-	-	-
53	-	-	-	-	-	-	-	-	-	-	-	-
54	-	-	-	-	-	-	-	-	-	-	-	-

Notes:

1. This estimating chart assumes that the brace top and bottom connections (i.e. panel or slab connection) are sufficient enough to achieve full brace capacity.
2. "S" indicates the maximum allowable horizontal spacing of the braces in feet.
3. "L" indicates the length of brace in feet.
4. "(V+Y)" indicates the vertical distance from the bottom of the panel to the brace insert in feet.
5. "X" indicates the horizontal distance from the face of the panel to the base of the brace in feet.

Estimated Allowable Panel Width (ft) Per Brace <sup>1</sup>												
Distance from bottom of panel to F.F. (Y) = 1.00 ft and Exposure Categories A, B and C												
Brace	Superior 17			Superior 22			Superior 22+5			Superior 22+10		
Brace Length "L"	17'-0"			22'-0"			22'-0" w/ 5'-0" ext.			22'-0" w/ 10'-0" ext.		
Panel Height "H"	S <sup>2</sup>	(V+Y) <sup>4</sup>	X <sup>5</sup>	S <sup>2</sup>	(V+Y) <sup>4</sup>	X <sup>5</sup>	S <sup>2</sup>	(V+Y) <sup>4</sup>	X <sup>5</sup>	S <sup>2</sup>	(V+Y) <sup>4</sup>	X <sup>5</sup>
8	-	-	-	-	-	-	-	-	-	-	-	-
9	-	-	-	-	-	-	-	-	-	-	-	-
10	-	-	-	-	-	-	-	-	-	-	-	-
11	-	-	-	-	-	-	-	-	-	-	-	-
12	-	-	-	-	-	-	-	-	-	-	-	-
13	-	-	-	-	-	-	-	-	-	-	-	-
14	-	-	-	-	-	-	-	-	-	-	-	-
15	19.0	13.0	12.0	-	-	-	-	-	-	-	-	-
16	19.0	13.0	12.0	-	-	-	-	-	-	-	-	-
17	19.0	14.6	10.2	-	-	-	-	-	-	-	-	-
18	19.0	14.6	10.2	-	-	-	-	-	-	-	-	-
19	19.0	14.6	10.2	19.0	16.6	15.6	-	-	-	-	-	-
20	19.0	14.6	10.2	19.0	16.6	15.6	-	-	-	-	-	-
21	19.0	14.6	10.2	19.0	18.6	13.2	-	-	-	-	-	-
22	19.0	14.6	10.2	19.0	18.6	13.2	19.0	20.1	19.1	-	-	-
23	19.0	14.6	10.2	19.0	18.6	13.2	18.6	20.1	19.1	-	-	-
24	18.9	14.6	10.2	18.0	18.6	13.2	16.9	20.1	19.1	-	-	-
25	15.5	15.7	8.5	16.4	18.6	13.2	14.8	22.6	16.2	-	-	-
26	14.2	15.7	8.5	15.1	18.6	13.2	13.5	22.6	16.2	12.5	23.6	22.6
27	-	-	-	13.9	18.6	13.2	12.4	22.6	16.2	11.5	23.6	22.6
28	-	-	-	12.8	18.6	13.2	11.5	22.6	16.2	10.6	23.6	22.6
29	-	-	-	11.8	18.6	13.2	10.6	22.6	16.2	9.4	26.6	19.3
30	-	-	-	11.0	18.6	13.2	9.9	22.6	16.2	8.7	26.6	19.3
31	-	-	-	9.2	20.1	11.0	9.2	22.6	16.2	8.1	26.6	19.3
32	-	-	-	8.6	20.1	11.0	8.6	22.6	16.2	7.5	26.6	19.3
33	-	-	-	8.0	20.1	11.0	8.0	22.6	16.2	7.1	26.6	19.3
34	-	-	-	-	-	-	7.5	22.6	16.2	6.6	26.6	19.3
35	-	-	-	-	-	-	7.0	22.6	16.2	6.2	26.6	19.3
36	-	-	-	-	-	-	6.6	22.6	16.2	5.8	26.6	19.3
37	-	-	-	-	-	-	6.2	22.6	16.2	5.5	26.6	19.3
38	-	-	-	-	-	-	5.3	24.4	13.5	5.2	26.6	19.3
39	-	-	-	-	-	-	5.0	24.4	13.5	4.9	26.6	19.3
40	-	-	-	-	-	-	4.7	24.4	13.5	4.6	26.6	19.3
41	-	-	-	-	-	-	-	-	-	4.4	26.6	19.3
42	-	-	-	-	-	-	-	-	-	4.1	26.6	19.3
43	-	-	-	-	-	-	-	-	-	3.9	26.6	19.3
44	-	-	-	-	-	-	-	-	-	3.7	26.6	19.3
45	-	-	-	-	-	-	-	-	-	3.2	28.7	16.0
46	-	-	-	-	-	-	-	-	-	3.0	28.7	16.0
47	-	-	-	-	-	-	-	-	-	2.9	28.7	16.0
48	-	-	-	-	-	-	-	-	-	-	-	-
49	-	-	-	-	-	-	-	-	-	-	-	-
50	-	-	-	-	-	-	-	-	-	-	-	-
51	-	-	-	-	-	-	-	-	-	-	-	-
52	-	-	-	-	-	-	-	-	-	-	-	-
53	-	-	-	-	-	-	-	-	-	-	-	-
54	-	-	-	-	-	-	-	-	-	-	-	-

Notes:

1. This estimating chart assumes that the brace top and bottom connections (i.e. panel or slab connection) are sufficient enough to achieve full brace capacity.
2. "S" indicates the maximum allowable horizontal spacing of the braces in feet.
3. "L" indicates the length of brace in feet.
4. "(V+Y)" indicates the vertical distance from the bottom of the panel to the brace insert in feet.
5. "X" indicates the horizontal distance from the face of the panel to the base of the brace in feet.

Estimated Allowable Panel Width (ft) Per Brace <sup>1</sup>																
Distance from bottom of panel to F.F. (Y) = 1.00 ft and Exposure Categories A, B and C																
Brace Length "L"	B11 (Discontinued) 25'-0" to 40'-0"				Superior 32 32'-0"			Superior 33 HD 33'-0"			B13 Discontinued 27'-0"			Superior 32+10 32'-0" w/ 10'-0" ext.		
	S <sup>2</sup>	L <sup>3</sup>	(V+Y) <sup>4</sup>	X <sup>5</sup>	S <sup>2</sup>	(V+Y) <sup>4</sup>	X <sup>5</sup>	S <sup>2</sup>	(V+Y) <sup>4</sup>	X <sup>5</sup>	S <sup>2</sup>	(V+Y) <sup>4</sup>	X <sup>5</sup>	S <sup>2</sup>	(V+Y) <sup>4</sup>	X <sup>5</sup>
22	19.0	25.5	19.0	18.0	-	-	-	-	-	-	19.0	20.1	19.1	-	-	-
23	19.0	25.5	21.4	15.3	-	-	-	-	-	-	19.0	20.1	19.1	-	-	-
24	19.0	25.5	21.4	15.3	-	-	-	-	-	-	19.0	20.1	19.1	-	-	-
25	19.0	25.5	21.4	15.3	-	-	-	-	-	-	19.0	22.6	16.2	-	-	-
26	19.0	25.5	21.4	15.3	19.0	23.6	22.6	19.0	24.3	23.3	19.0	22.6	16.2	-	-	-
27	19.0	25.5	21.4	15.3	19.0	23.6	22.6	19.0	24.3	23.3	19.0	22.6	16.2	-	-	-
28	19.0	25.5	21.4	15.3	19.0	23.6	22.6	19.0	24.3	23.3	19.0	22.6	16.2	-	-	-
29	19.0	26.0	21.8	15.6	19.0	26.6	19.3	19.0	27.4	19.9	19.0	22.6	16.2	-	-	-
30	19.0	28.0	23.4	16.9	19.0	26.6	19.3	19.0	27.4	19.9	18.5	22.6	16.2	-	-	-
31	19.0	30.0	25.0	18.1	19.0	26.6	19.3	19.0	27.4	19.9	17.2	22.6	16.2	-	-	-
32	19.0	34.0	28.2	20.5	18.9	26.6	19.3	19.0	27.4	19.9	16.0	22.6	16.2	-	-	-
33	19.0	35.0	29.0	21.1	17.6	26.6	19.3	18.2	27.4	19.9	15.0	22.6	16.2	13.8	30.7	29.7
34	19.0	38.0	31.3	22.9	16.5	26.6	19.3	17.0	27.4	19.9	14.0	22.6	16.2	13.0	30.7	29.7
35	19.0	40.0	32.9	24.1	15.5	26.6	19.3	15.9	27.4	19.9	13.2	22.6	16.2	12.1	30.7	29.7
36	18.0	40.0	32.9	24.1	14.5	26.6	19.3	15.0	27.4	19.9	12.4	22.6	16.2	11.4	30.7	29.7
37	17.0	40.0	32.9	24.1	13.7	26.6	19.3	14.1	27.4	19.9	11.6	22.6	16.2	10.3	34.5	25.3
38	16.0	40.0	32.9	24.1	12.9	26.6	19.3	13.3	27.4	19.9	9.8	24.4	13.5	9.7	34.5	25.3
39	15.1	40.0	32.9	24.1	12.2	26.6	19.3	12.6	27.4	19.9	9.3	24.4	13.5	9.2	34.5	25.3
40	14.3	40.0	32.9	24.1	11.5	26.6	19.3	11.9	27.4	19.9	8.8	24.4	13.5	8.7	34.5	25.3
41	13.5	40.0	32.9	24.1	10.9	26.6	19.3	11.2	27.4	19.9	-	-	-	8.2	34.5	25.3
42	12.8	40.0	32.9	24.1	10.3	26.6	19.3	10.7	27.4	19.9	-	-	-	7.8	34.5	25.3
43	12.2	40.0	32.9	24.1	9.8	26.6	19.3	10.1	27.4	19.9	-	-	-	7.4	34.5	25.3
44	11.6	40.0	32.9	24.1	9.3	26.6	19.3	9.6	27.4	19.9	-	-	-	7.0	34.5	25.3
45	11.0	40.0	32.9	24.1	8.0	28.7	16.0	9.1	27.4	19.9	-	-	-	6.7	34.5	25.3
46	10.5	40.0	32.9	24.1	7.6	28.7	16.0	7.8	29.6	16.5	-	-	-	6.4	34.5	25.3
47	10.0	40.0	32.9	24.1	7.2	28.7	16.0	7.5	29.6	16.5	-	-	-	6.1	34.5	25.3
48	9.6	40.0	32.9	24.1	-	-	-	7.1	29.6	16.5	-	-	-	5.8	34.5	25.3
49	9.1	40.0	32.9	24.1	-	-	-	6.8	29.6	16.5	-	-	-	5.5	34.5	25.3
50	8.7	40.0	32.9	24.1	-	-	-	-	-	-	-	-	-	5.3	34.5	25.3
51	8.4	40.0	32.9	24.1	-	-	-	-	-	-	-	-	-	5.1	34.5	25.3
52	8.0	40.0	32.9	24.1	-	-	-	-	-	-	-	-	-	4.8	34.5	25.3
53	7.7	40.0	32.9	24.1	-	-	-	-	-	-	-	-	-	4.6	34.5	25.3
54	7.4	40.0	32.9	24.1	-	-	-	-	-	-	-	-	-	4.5	34.5	25.3
55	6.4	40.0	35.6	20.0	-	-	-	-	-	-	-	-	-	4.3	34.5	25.3
56	6.1	40.0	35.6	20.0	-	-	-	-	-	-	-	-	-	4.1	34.5	25.3
57	5.9	40.0	35.6	20.0	-	-	-	-	-	-	-	-	-	4.0	34.5	25.3
58	5.7	40.0	35.6	20.0	-	-	-	-	-	-	-	-	-	3.4	37.4	21.0
59	5.4	40.0	35.6	20.0	-	-	-	-	-	-	-	-	-	3.3	37.4	21.0
60	-	-	-	-	-	-	-	-	-	-	-	-	-	3.2	37.4	21.0
61	-	-	-	-	-	-	-	-	-	-	-	-	-	3.1	37.4	21.0
62	-	-	-	-	-	-	-	-	-	-	-	-	-	3.0	37.4	21.0
63	-	-	-	-	-	-	-	-	-	-	-	-	-	-	-	-
64	-	-	-	-	-	-	-	-	-	-	-	-	-	-	-	-
65	-	-	-	-	-	-	-	-	-	-	-	-	-	-	-	-
66	-	-	-	-	-	-	-	-	-	-	-	-	-	-	-	-
67	-	-	-	-	-	-	-	-	-	-	-	-	-	-	-	-
68	-	-	-	-	-	-	-	-	-	-	-	-	-	-	-	-
69	-	-	-	-	-	-	-	-	-	-	-	-	-	-	-	-
70	-	-	-	-	-	-	-	-	-	-	-	-	-	-	-	-

Notes:

1. This estimating chart assumes that the brace top and bottom connections (i.e. panel or slab connection) are sufficient enough to achieve full brace capacity.
2. "S" indicates the maximum allowable horizontal spacing of the braces in feet.
3. "L" indicates the length of brace in feet.
4. "(V+Y)" indicates the vertical distance from the bottom of the panel to the brace insert in feet.
5. "X" indicates the horizontal distance from the face of the panel to the base of the brace in feet.
6. "MTO" indicates made to order, this is not a rentable item.

Estimated Allowable Panel Width (ft) per Brace <sup>1</sup>									
Distance from bottom of panel to F.F. = 1.00 ft and Exposure Categories A, B and C									
Brace	Superior 32+10+10			Superior 32+5			Superior 42		
Brace Length "L"	32'-0" w/ 20'-0" ext.			32'-0" w/ 5'-0" ext.			42'-0"		
Panel Height "H"	S <sup>2</sup>	(V+Y) <sup>4</sup>	X <sup>5</sup>	S <sup>2</sup>	(V+Y) <sup>4</sup>	X <sup>5</sup>	S <sup>3</sup>	(V+Y) <sup>5</sup>	X <sup>6</sup>
28	-	-	-	-	-	-	-	-	-
29	-	-	-	19.0	27.2	26.2	-	-	-
30	-	-	-	19.0	27.2	26.2	-	-	-
31	-	-	-	19.0	27.2	26.2	-	-	-
32	-	-	-	19.0	27.2	26.2	-	-	-
33	-	-	-	18.0	30.5	22.3	19.0	30.7	29.7
34	-	-	-	16.9	30.5	22.3	19.0	30.7	29.7
35	-	-	-	15.8	30.5	22.3	19.0	30.7	29.7
36	-	-	-	14.9	30.5	22.3	19.0	30.7	29.7
37	-	-	-	14.0	30.5	22.3	19.0	34.5	25.3
38	-	-	-	13.2	30.5	22.3	19.0	34.5	25.3
39	-	-	-	12.5	30.5	22.3	19.0	34.5	25.3
40	8.1	37.8	36.8	11.8	30.5	22.3	19.0	34.5	25.3
41	7.7	37.8	36.8	11.2	30.5	22.3	19.0	34.5	25.3
42	7.3	37.8	36.8	10.6	30.5	22.3	18.9	34.5	25.3
43	6.9	37.8	36.8	10.0	30.5	22.3	18.0	34.5	25.3
44	6.6	37.8	36.8	9.5	30.5	22.3	17.1	34.5	25.3
45	6.0	42.5	31.3	9.1	30.5	22.3	16.3	34.5	25.3
46	5.7	42.5	31.3	8.7	30.5	22.3	15.5	34.5	25.3
47	5.5	42.5	31.3	8.3	30.5	22.3	14.8	34.5	25.3
48	5.2	42.5	31.3	7.9	30.5	22.3	14.1	34.5	25.3
49	5.0	42.5	31.3	7.5	30.5	22.3	13.5	34.5	25.3
50	4.8	42.5	31.3	7.2	30.5	22.3	12.9	34.5	25.3
51	4.6	42.5	31.3	6.2	33.0	18.5	12.3	34.5	25.3
52	4.4	42.5	31.3	5.9	33.0	18.5	11.8	34.5	25.3
53	4.2	42.5	31.3	5.7	33.0	18.5	11.3	34.5	25.3
54	4.0	42.5	31.3	5.5	33.0	18.5	10.9	34.5	25.3
55	3.9	42.5	31.3	5.2	33.0	18.5	10.4	34.5	25.3
56	3.7	42.5	31.3	-	-	-	10.0	34.5	25.3
57	3.6	42.5	31.3	-	-	-	9.6	34.5	25.3
58	3.4	42.5	31.3	-	-	-	8.3	37.4	21.0
59	3.3	42.5	31.3	-	-	-	8.0	37.4	21.0
60	3.2	42.5	31.3	-	-	-	7.7	37.4	21.0
61	3.1	42.5	31.3	-	-	-	7.5	37.4	21.0
62	3.0	42.5	31.3	-	-	-	7.2	37.4	21.0
63	2.9	42.5	31.3	-	-	-	-	-	-
64	2.8	42.5	31.3	-	-	-	-	-	-
65	2.7	42.5	31.3	-	-	-	-	-	-
66	2.6	42.5	31.3	-	-	-	-	-	-
67	2.5	42.5	31.3	-	-	-	-	-	-
68	2.4	42.5	31.3	-	-	-	-	-	-
69	2.3	42.5	31.3	-	-	-	-	-	-
70	2.3	42.5	31.3	-	-	-	-	-	-
71	2.0	46.0	26.0	-	-	-	-	-	-
72	1.9	46.0	26.0	-	-	-	-	-	-
73	1.9	46.0	26.0	-	-	-	-	-	-
74	1.8	46.0	26.0	-	-	-	-	-	-
75	1.7	46.0	26.0	-	-	-	-	-	-
76	1.7	46.0	26.0	-	-	-	-	-	-
77	-	-	-	-	-	-	-	-	-
78	-	-	-	-	-	-	-	-	-
79	-	-	-	-	-	-	-	-	-
80	-	-	-	-	-	-	-	-	-
81	-	-	-	-	-	-	-	-	-
82	-	-	-	-	-	-	-	-	-
83	-	-	-	-	-	-	-	-	-
84	-	-	-	-	-	-	-	-	-
85	-	-	-	-	-	-	-	-	-
86	-	-	-	-	-	-	-	-	-
87	-	-	-	-	-	-	-	-	-
88	-	-	-	-	-	-	-	-	-
89	-	-	-	-	-	-	-	-	-
90	-	-	-	-	-	-	-	-	-
91	-	-	-	-	-	-	-	-	-
92	-	-	-	-	-	-	-	-	-
93	-	-	-	-	-	-	-	-	-
94	-	-	-	-	-	-	-	-	-
95	-	-	-	-	-	-	-	-	-
96	-	-	-	-	-	-	-	-	-
97	-	-	-	-	-	-	-	-	-

Notes:

1. This estimating chart assumes that the brace top and bottom connections (i.e. panel or slab connection) are sufficient enough to achieve full brace capacity.
2. "S" indicates the maximum allowable horizontal spacing of the braces in feet.
3. "L" indicates the length of brace in feet.
4. "(V+Y)" indicates the vertical distance from the bottom of the panel to the brace insert in feet.
5. "X" indicates the horizontal distance from the face of the panel to the base of the brace in feet.

Estimated Allowable Panel Width (ft) per Brace <sup>1</sup>									
Distance from bottom of panel to F.F. = 1.00 ft and Exposure Categories A, B and C									
Brace	Superior 42+10			Superior 52			Superior 62		
Brace Length "L"	42'-0" w/ 10'-0" ext.			52'-0"			62'-0"		
Panel Height "H"	S <sup>3</sup>	(V+Y) <sup>5</sup>	X <sup>6</sup>	S <sup>2</sup>	(V+Y) <sup>4</sup>	X <sup>5</sup>	S <sup>2</sup>	(V+Y) <sup>4</sup>	X <sup>5</sup>
28	-	-	-	-	-	-	-	-	-
29	-	-	-	-	-	-	-	-	-
30	-	-	-	-	-	-	-	-	-
31	-	-	-	-	-	-	-	-	-
32	-	-	-	-	-	-	-	-	-
33	-	-	-	-	-	-	-	-	-
34	-	-	-	-	-	-	-	-	-
35	-	-	-	-	-	-	-	-	-
36	-	-	-	-	-	-	-	-	-
37	-	-	-	-	-	-	-	-	-
38	-	-	-	-	-	-	-	-	-
39	-	-	-	-	-	-	-	-	-
40	17.1	37.8	36.8	19.0	37.8	36.8	-	-	-
41	16.2	37.8	36.8	19.0	37.8	36.8	-	-	-
42	15.4	37.8	36.8	19.0	37.8	36.8	-	-	-
43	14.6	37.8	36.8	19.0	37.8	36.8	-	-	-
44	13.9	37.8	36.8	19.0	37.8	36.8	-	-	-
45	12.6	42.5	31.3	19.0	42.5	31.3	-	-	-
46	12.0	42.5	31.3	19.0	42.5	31.3	-	-	-
47	11.5	42.5	31.3	18.4	42.5	31.3	19.0	44.8	43.8
48	11.0	42.5	31.3	17.5	42.5	31.3	19.0	44.8	43.8
49	10.5	42.5	31.3	16.8	42.5	31.3	18.4	44.8	43.8
50	10.0	42.5	31.3	16.0	42.5	31.3	17.6	44.8	43.8
51	9.6	42.5	31.3	15.3	42.5	31.3	16.8	44.8	43.8
52	9.2	42.5	31.3	14.7	42.5	31.3	16.1	44.8	43.8
53	8.8	42.5	31.3	14.1	42.5	31.3	14.8	50.5	37.3
54	8.5	42.5	31.3	13.5	42.5	31.3	14.2	50.5	37.3
55	8.1	42.5	31.3	13.0	42.5	31.3	13.7	50.5	37.3
56	7.8	42.5	31.3	12.5	42.5	31.3	13.1	50.5	37.3
57	7.5	42.5	31.3	12.0	42.5	31.3	12.6	50.5	37.3
58	7.2	42.5	31.3	11.5	42.5	31.3	12.1	50.5	37.3
59	6.9	42.5	31.3	11.1	42.5	31.3	11.7	50.5	37.3
60	6.7	42.5	31.3	10.7	42.5	31.3	11.3	50.5	37.3
61	6.5	42.5	31.3	10.3	42.5	31.3	10.9	50.5	37.3
62	6.2	42.5	31.3	10.0	42.5	31.3	10.5	50.5	37.3
63	6.0	42.5	31.3	9.6	42.5	31.3	10.1	50.5	37.3
64	5.8	42.5	31.3	9.3	42.5	31.3	9.8	50.5	37.3
65	5.6	42.5	31.3	9.0	42.5	31.3	9.4	50.5	37.3
66	5.4	42.5	31.3	8.7	42.5	31.3	9.1	50.5	37.3
67	5.2	42.5	31.3	8.4	42.5	31.3	8.8	50.5	37.3
68	5.1	42.5	31.3	8.1	42.5	31.3	8.5	50.5	37.3
69	4.9	42.5	31.3	7.9	42.5	31.3	8.3	50.5	37.3
70	4.8	42.5	31.3	7.6	42.5	31.3	8.0	50.5	37.3
71	4.1	46.0	26.0	6.6	46.0	26.0	7.8	50.5	37.3
72	4.0	46.0	26.0	6.4	46.0	26.0	7.5	50.5	37.3
73	3.9	46.0	26.0	6.2	46.0	26.0	7.3	50.5	37.3
74	3.8	46.0	26.0	6.1	46.0	26.0	7.1	50.5	37.3
75	3.7	46.0	26.0	5.9	46.0	26.0	6.9	50.5	37.3
76	3.6	46.0	26.0	5.7	46.0	26.0	6.7	50.5	37.3
77	-	-	-	-	-	-	6.5	50.5	37.3
78	-	-	-	-	-	-	6.3	50.5	37.3
79	-	-	-	-	-	-	6.1	50.5	37.3
80	-	-	-	-	-	-	6.0	50.5	37.3
81	-	-	-	-	-	-	5.8	50.5	37.3
82	-	-	-	-	-	-	5.6	50.5	37.3
83	-	-	-	-	-	-	5.5	50.5	37.3
84	-	-	-	-	-	-	5.4	50.5	37.3
85	-	-	-	-	-	-	4.7	54.7	31.0
86	-	-	-	-	-	-	4.6	54.7	31.0
87	-	-	-	-	-	-	4.5	54.7	31.0
88	-	-	-	-	-	-	4.3	54.7	31.0
89	-	-	-	-	-	-	4.2	54.7	31.0
90	-	-	-	-	-	-	4.1	54.7	31.0
91	-	-	-	-	-	-	4.0	54.7	31.0
92	-	-	-	-	-	-	-	-	-
93	-	-	-	-	-	-	-	-	-
94	-	-	-	-	-	-	-	-	-
95	-	-	-	-	-	-	-	-	-
96	-	-	-	-	-	-	-	-	-
97	-	-	-	-	-	-	-	-	-

Notes:

1. This estimating chart assumes that the brace top and bottom connections (i.e. panel or slab connection) are sufficient enough to achieve full brace capacity.
2. "S" indicates the maximum allowable horizontal spacing of the braces in feet.
3. "L" indicates the length of brace in feet.
4. "(V+Y)" indicates the vertical distance from the bottom of the panel to the brace insert in feet.
5. "X" indicates the horizontal distance from the face of the panel to the base of the brace in feet.

Estimated Allowable Panel Width (ft) Per Brace <sup>1</sup>												
Distance from bottom of panel to F.F. (Y) = 2.00 ft and Exposure Categories A, B and C												
Brace	Superior 8-14				Superior 14-23				Superior 22-30			
Brace Length "L"	8'-0" to 14'-0"				14'-6" to 23'-6"				22'-6" to 29'-0"			
Panel Height "H"	S <sup>2</sup>	L <sup>3</sup>	(V+Y) <sup>4</sup>	X <sup>5</sup>	S <sup>2</sup>	L <sup>3</sup>	(V+Y) <sup>4</sup>	X <sup>5</sup>	S <sup>2</sup>	L <sup>3</sup>	(V+Y) <sup>4</sup>	X <sup>5</sup>
8	-	-	-	-	-	-	-	-	-	-	-	-
9	19.0	7.5	7.3	5.3	-	-	-	-	-	-	-	-
10	19.0	7.5	8.0	4.5	-	-	-	-	-	-	-	-
11	19.0	7.5	8.0	4.5	-	-	-	-	-	-	-	-
12	19.0	7.5	8.0	4.5	-	-	-	-	-	-	-	-
13	19.0	7.5	8.0	4.5	-	-	-	-	-	-	-	-
14	19.0	8.3	8.7	5.0	-	-	-	-	-	-	-	-
15	19.0	9.1	9.3	5.5	19.0	15.0	12.6	10.6	-	-	-	-
16	19.0	10.8	10.6	6.5	19.0	15.0	14.0	9.0	-	-	-	-
17	19.0	10.8	10.6	6.5	19.0	15.0	14.0	9.0	-	-	-	-
18	16.7	11.7	11.3	7.0	19.0	15.0	14.0	9.0	-	-	-	-
19	13.3	12.4	11.9	7.5	19.0	15.0	14.0	9.0	-	-	-	-
20	10.5	13.3	12.6	8.0	19.0	15.0	14.0	9.0	19.0	22.5	17.9	15.9
21	8.4	13.3	13.5	6.6	19.0	16.7	15.3	10.0	19.0	22.5	17.9	15.9
22	7.6	13.3	13.5	6.6	18.0	16.7	15.3	10.0	19.0	22.5	20.0	13.5
23	-	-	-	-	16.3	16.7	15.3	10.0	19.0	22.5	20.0	13.5
24	-	-	-	-	14.8	16.7	15.3	10.0	17.8	22.5	20.0	13.5
25	-	-	-	-	13.6	16.7	15.3	10.0	16.3	22.5	20.0	13.5
26	-	-	-	-	11.8	17.5	16.0	10.5	14.9	22.5	20.0	13.5
27	-	-	-	-	9.2	18.3	16.6	11.0	13.7	22.5	20.0	13.5
28	-	-	-	-	7.2	19.2	17.3	11.5	12.7	22.5	20.0	13.5
29	-	-	-	-	6.3	20.0	18.0	12.0	11.7	22.5	20.0	13.5
30	-	-	-	-	4.4	21.7	19.3	13.0	10.9	22.5	20.0	13.5
31	-	-	-	-	4.1	21.7	19.3	13.0	10.1	22.5	20.0	13.5
32	-	-	-	-	3.8	21.7	19.3	13.0	9.4	22.5	20.0	13.5
33	-	-	-	-	3.4	22.5	20.0	13.5	8.8	22.5	20.0	13.5
34	-	-	-	-	2.8	23.3	20.6	14.0	7.6	23.3	20.6	14.0
35	-	-	-	-	2.3	23.3	22.2	11.7	6.6	24.2	21.3	14.5
36	-	-	-	-	2.2	23.3	22.2	11.7	5.7	25.0	22.0	15.0
37	-	-	-	-	2.1	23.3	22.2	11.7	4.5	25.8	22.6	15.5
38	-	-	-	-	-	-	-	-	3.6	26.7	23.3	16.0
39	-	-	-	-	-	-	-	-	3.1	27.5	24.0	16.5
40	-	-	-	-	-	-	-	-	2.5	28.3	24.6	17.1
41	-	-	-	-	-	-	-	-	2.4	28.3	24.6	17.1
42	-	-	-	-	-	-	-	-	1.9	29.2	25.3	17.6
43	-	-	-	-	-	-	-	-	1.7	30.0	26.0	18.1
44	-	-	-	-	-	-	-	-	1.4	30.8	26.6	18.6
45	-	-	-	-	-	-	-	-	1.2	30.8	28.7	15.4
46	-	-	-	-	-	-	-	-	1.1	30.8	28.7	15.4
47	-	-	-	-	-	-	-	-	1.1	30.8	28.7	15.4
48	-	-	-	-	-	-	-	-	-	-	-	-
49	-	-	-	-	-	-	-	-	-	-	-	-
50	-	-	-	-	-	-	-	-	-	-	-	-
51	-	-	-	-	-	-	-	-	-	-	-	-
52	-	-	-	-	-	-	-	-	-	-	-	-
53	-	-	-	-	-	-	-	-	-	-	-	-
54	-	-	-	-	-	-	-	-	-	-	-	-

Notes:

1. This estimating chart assumes that the brace top and bottom connections (i.e. panel or slab connection) are sufficient enough to achieve full brace capacity.
2. "S" indicates the maximum allowable horizontal spacing of the braces in feet.
3. "L" indicates the length of brace in feet.
4. "(V+Y)" indicates the vertical distance from the bottom of the panel to the brace insert in feet.
5. "X" indicates the horizontal distance from the face of the panel to the base of the brace in feet.

Estimated Allowable Panel Width (ft) Per Brace <sup>1</sup>												
Distance from bottom of panel to F.F. (Y) = 2.00 ft and Exposure Categories A, B and C												
Brace	Superior 17			Superior 22			Superior 22+5			Superior 22+10		
Brace Length "L"	17'-0"			22'-0"			22'-0" w/ 5'-0" ext.			22'-0" w/ 10'-0" ext.		
Panel Height "H"	S <sup>2</sup>	(V+Y) <sup>4</sup>	X <sup>5</sup>	S <sup>2</sup>	(V+Y) <sup>4</sup>	X <sup>5</sup>	S <sup>2</sup>	(V+Y) <sup>4</sup>	X <sup>5</sup>	S <sup>2</sup>	(V+Y) <sup>4</sup>	X <sup>5</sup>
8	-	-	-	-	-	-	-	-	-	-	-	-
9	-	-	-	-	-	-	-	-	-	-	-	-
10	-	-	-	-	-	-	-	-	-	-	-	-
11	-	-	-	-	-	-	-	-	-	-	-	-
12	-	-	-	-	-	-	-	-	-	-	-	-
13	-	-	-	-	-	-	-	-	-	-	-	-
14	-	-	-	-	-	-	-	-	-	-	-	-
15	-	-	-	-	-	-	-	-	-	-	-	-
16	19.0	14.0	12.0	-	-	-	-	-	-	-	-	-
17	19.0	14.0	12.0	-	-	-	-	-	-	-	-	-
18	19.0	15.6	10.2	-	-	-	-	-	-	-	-	-
19	19.0	15.6	10.2	-	-	-	-	-	-	-	-	-
20	19.0	15.6	10.2	19.0	17.6	15.6	-	-	-	-	-	-
21	19.0	15.6	10.2	19.0	17.6	15.6	-	-	-	-	-	-
22	19.0	15.6	10.2	19.0	19.6	13.2	-	-	-	-	-	-
23	19.0	15.6	10.2	19.0	19.6	13.2	19.0	21.1	19.1	-	-	-
24	19.0	15.6	10.2	19.0	19.6	13.2	17.7	21.1	19.1	-	-	-
25	18.5	15.6	10.2	17.3	19.6	13.2	16.2	21.1	19.1	-	-	-
26	15.1	16.7	8.5	15.9	19.6	13.2	14.1	23.6	16.2	-	-	-
27	13.9	16.7	8.5	14.6	19.6	13.2	13.0	23.6	16.2	12.0	24.6	22.6
28	-	-	-	13.5	19.6	13.2	12.0	23.6	16.2	11.0	24.6	22.6
29	-	-	-	12.5	19.6	13.2	11.1	23.6	16.2	10.2	24.6	22.6
30	-	-	-	11.6	19.6	13.2	10.3	23.6	16.2	9.0	27.6	19.3
31	-	-	-	10.8	19.6	13.2	9.6	23.6	16.2	8.4	27.6	19.3
32	-	-	-	10.0	19.6	13.2	8.9	23.6	16.2	7.8	27.6	19.3
33	-	-	-	8.4	21.1	11.0	8.3	23.6	16.2	7.3	27.6	19.3
34	-	-	-	7.9	21.1	11.0	7.8	23.6	16.2	6.9	27.6	19.3
35	-	-	-	7.4	21.1	11.0	7.3	23.6	16.2	6.4	27.6	19.3
36	-	-	-	-	-	-	6.9	23.6	16.2	6.0	27.6	19.3
37	-	-	-	-	-	-	6.5	23.6	16.2	5.7	27.6	19.3
38	-	-	-	-	-	-	6.1	23.6	16.2	5.4	27.6	19.3
39	-	-	-	-	-	-	5.8	23.6	16.2	5.1	27.6	19.3
40	-	-	-	-	-	-	4.9	25.4	13.5	4.8	27.6	19.3
41	-	-	-	-	-	-	4.6	25.4	13.5	4.5	27.6	19.3
42	-	-	-	-	-	-	4.4	25.4	13.5	4.3	27.6	19.3
43	-	-	-	-	-	-	-	-	-	4.1	27.6	19.3
44	-	-	-	-	-	-	-	-	-	3.9	27.6	19.3
45	-	-	-	-	-	-	-	-	-	3.7	27.6	19.3
46	-	-	-	-	-	-	-	-	-	3.1	29.7	16.0
47	-	-	-	-	-	-	-	-	-	3.0	29.7	16.0
48	-	-	-	-	-	-	-	-	-	2.9	29.7	16.0
49	-	-	-	-	-	-	-	-	-	2.7	29.7	16.0
50	-	-	-	-	-	-	-	-	-	-	-	-
51	-	-	-	-	-	-	-	-	-	-	-	-
52	-	-	-	-	-	-	-	-	-	-	-	-
53	-	-	-	-	-	-	-	-	-	-	-	-
54	-	-	-	-	-	-	-	-	-	-	-	-

Notes:

1. This estimating chart assumes that the brace top and bottom connections (i.e. panel or slab connection) are sufficient enough to achieve full brace capacity.
2. "S" indicates the maximum allowable horizontal spacing of the braces in feet.
3. "L" indicates the length of brace in feet.
4. "(V+Y)" indicates the vertical distance from the bottom of the panel to the brace insert in feet.
5. "X" indicates the horizontal distance from the face of the panel to the base of the brace in feet.

Estimated Allowable Panel Width (ft) Per Brace <sup>1</sup>																
Distance from bottom of panel to F.F. (Y) = 2.00 ft and Exposure Categories A, B and C																
Brace Length "L"	B11 (Discontinued)				Superior 32			Superior 33 HD			B13 Discontinued			Superior 32+10		
	25'-0" to 40'-0"				32'-0"			33'-0"			27'-0"			32'-0" w/ 10'-0" ext.		
Panel Height "H"	S <sup>2</sup>	L <sup>3</sup>	(V+Y) <sup>4</sup>	X <sup>5</sup>	S <sup>2</sup>	(V+Y) <sup>4</sup>	X <sup>5</sup>	S <sup>2</sup>	(V+Y) <sup>4</sup>	X <sup>5</sup>	S <sup>2</sup>	(V+Y) <sup>4</sup>	X <sup>5</sup>	S <sup>2</sup>	(V+Y) <sup>4</sup>	X <sup>5</sup>
22	19.0	25.5	20.0	18.0	-	-	-	-	-	-	-	-	-	-	-	-
23	19.0	25.5	20.0	18.0	-	-	-	-	-	-	19.0	21.1	19.1	-	-	-
24	19.0	25.5	22.4	15.3	-	-	-	-	-	-	19.0	21.1	19.1	-	-	-
25	19.0	25.5	22.4	15.3	-	-	-	-	-	-	19.0	21.1	19.1	-	-	-
26	19.0	25.5	22.4	15.3	-	-	-	-	-	-	19.0	23.6	16.2	-	-	-
27	19.0	25.5	22.4	15.3	19.0	24.6	22.6	19.0	25.3	23.3	19.0	23.6	16.2	-	-	-
28	19.0	25.5	22.4	15.3	19.0	24.6	22.6	19.0	25.3	23.3	19.0	23.6	16.2	-	-	-
29	19.0	25.5	22.4	15.3	19.0	24.6	22.6	19.0	25.3	23.3	19.0	23.6	16.2	-	-	-
30	19.0	27.0	23.6	16.2	19.0	27.6	19.3	19.0	28.4	19.9	19.0	23.6	16.2	-	-	-
31	19.0	29.0	25.2	17.5	19.0	27.6	19.3	19.0	28.4	19.9	18.0	23.6	16.2	-	-	-
32	19.0	31.0	26.8	18.7	19.0	27.6	19.3	19.0	28.4	19.9	16.7	23.6	16.2	-	-	-
33	19.0	34.0	29.2	20.5	18.3	27.6	19.3	18.8	28.4	19.9	15.6	23.6	16.2	-	-	-
34	19.0	36.0	30.8	21.7	17.1	27.6	19.3	17.6	28.4	19.9	14.6	23.6	16.2	13.4	31.7	29.7
35	19.0	39.0	33.1	23.5	16.1	27.6	19.3	16.5	28.4	19.9	13.7	23.6	16.2	12.5	31.7	29.7
36	18.6	40.0	33.9	24.1	15.1	27.6	19.3	15.5	28.4	19.9	12.9	23.6	16.2	11.8	31.7	29.7
37	17.5	40.0	33.9	24.1	14.2	27.6	19.3	14.6	28.4	19.9	12.1	23.6	16.2	11.1	31.7	29.7
38	16.5	40.0	33.9	24.1	13.4	27.6	19.3	13.8	28.4	19.9	11.5	23.6	16.2	10.0	35.5	25.3
39	15.6	40.0	33.9	24.1	12.6	27.6	19.3	13.0	28.4	19.9	10.8	23.6	16.2	9.4	35.5	25.3
40	14.7	40.0	33.9	24.1	12.0	27.6	19.3	12.3	28.4	19.9	9.2	25.4	13.5	8.9	35.5	25.3
41	13.9	40.0	33.9	24.1	11.3	27.6	19.3	11.7	28.4	19.9	8.7	25.4	13.5	8.4	35.5	25.3
42	13.2	40.0	33.9	24.1	10.7	27.6	19.3	11.0	28.4	19.9	8.2	25.4	13.5	8.0	35.5	25.3
43	12.6	40.0	33.9	24.1	10.2	27.6	19.3	10.5	28.4	19.9	-	-	-	7.6	35.5	25.3
44	11.9	40.0	33.9	24.1	9.7	27.6	19.3	10.0	28.4	19.9	-	-	-	7.2	35.5	25.3
45	11.4	40.0	33.9	24.1	9.2	27.6	19.3	9.5	28.4	19.9	-	-	-	6.9	35.5	25.3
46	10.8	40.0	33.9	24.1	7.9	29.7	16.0	9.0	28.4	19.9	-	-	-	6.5	35.5	25.3
47	10.3	40.0	33.9	24.1	7.5	29.7	16.0	8.6	28.4	19.9	-	-	-	6.2	35.5	25.3
48	9.8	40.0	33.9	24.1	7.2	29.7	16.0	7.4	30.6	16.5	-	-	-	6.0	35.5	25.3
49	9.4	40.0	33.9	24.1	6.8	29.7	16.0	7.0	30.6	16.5	-	-	-	5.7	35.5	25.3
50	9.0	40.0	33.9	24.1	-	-	-	6.7	30.6	16.5	-	-	-	5.4	35.5	25.3
51	8.6	40.0	33.9	24.1	-	-	-	-	-	-	-	-	-	5.2	35.5	25.3
52	8.2	40.0	33.9	24.1	-	-	-	-	-	-	-	-	-	5.0	35.5	25.3
53	7.9	40.0	33.9	24.1	-	-	-	-	-	-	-	-	-	4.8	35.5	25.3
54	7.6	40.0	33.9	24.1	-	-	-	-	-	-	-	-	-	4.6	35.5	25.3
55	7.3	40.0	33.9	24.1	-	-	-	-	-	-	-	-	-	4.4	35.5	25.3
56	7.0	40.0	33.9	24.1	-	-	-	-	-	-	-	-	-	4.2	35.5	25.3
57	6.0	40.0	36.6	20.0	-	-	-	-	-	-	-	-	-	4.1	35.5	25.3
58	5.8	40.0	36.6	20.0	-	-	-	-	-	-	-	-	-	3.9	35.5	25.3
59	5.6	40.0	36.6	20.0	-	-	-	-	-	-	-	-	-	3.8	35.5	25.3
60	5.4	40.0	36.6	20.0	-	-	-	-	-	-	-	-	-	3.3	38.4	21.0
61	5.2	40.0	36.6	20.0	-	-	-	-	-	-	-	-	-	3.1	38.4	21.0
62	-	-	-	-	-	-	-	-	-	-	-	-	-	3.0	38.4	21.0
63	-	-	-	-	-	-	-	-	-	-	-	-	-	2.9	38.4	21.0
64	-	-	-	-	-	-	-	-	-	-	-	-	-	-	-	-
65	-	-	-	-	-	-	-	-	-	-	-	-	-	-	-	-
66	-	-	-	-	-	-	-	-	-	-	-	-	-	-	-	-
67	-	-	-	-	-	-	-	-	-	-	-	-	-	-	-	-
68	-	-	-	-	-	-	-	-	-	-	-	-	-	-	-	-
69	-	-	-	-	-	-	-	-	-	-	-	-	-	-	-	-
70	-	-	-	-	-	-	-	-	-	-	-	-	-	-	-	-

Notes:

1. This estimating chart assumes that the brace top and bottom connections (i.e. panel or slab connection) are sufficient enough to achieve full brace capacity.
2. "S" indicates the maximum allowable horizontal spacing of the braces in feet.
3. "L" indicates the length of brace in feet.
4. "(V+Y)" indicates the vertical distance from the bottom of the panel to the brace insert in feet.
5. "X" indicates the horizontal distance from the face of the panel to the base of the brace in feet.
6. "MTO" indicates made to order, this is not a rentable item.

Estimated Allowable Panel Width (ft) per Brace <sup>1</sup>									
Distance from bottom of panel to F.F. = 2.00 ft and Exposure Categories A, B and C									
Brace	Superior 32+10+10			Superior 32+5			Superior 42		
Brace Length "L"	32'-0" w/ 20'-0" ext.			32'-0" w/ 5'-0" ext.			42'-0"		
Panel Height "H"	S <sup>2</sup>	(V+Y) <sup>4</sup>	X <sup>5</sup>	S <sup>2</sup>	(V+Y) <sup>4</sup>	X <sup>5</sup>	S <sup>3</sup>	(V+Y) <sup>5</sup>	X <sup>5</sup>
28	-	-	-	-	-	-	-	-	-
29	-	-	-	-	-	-	-	-	-
30	-	-	-	19.0	28.2	26.2	-	-	-
31	-	-	-	19.0	28.2	26.2	-	-	-
32	-	-	-	19.0	28.2	26.2	-	-	-
33	-	-	-	19.0	28.2	26.2	-	-	-
34	-	-	-	17.4	31.5	22.3	19.0	31.7	29.7
35	-	-	-	16.3	31.5	22.3	19.0	31.7	29.7
36	-	-	-	15.4	31.5	22.3	19.0	31.7	29.7
37	-	-	-	14.5	31.5	22.3	19.0	31.7	29.7
38	-	-	-	13.6	31.5	22.3	19.0	35.5	25.3
39	-	-	-	12.9	31.5	22.3	19.0	35.5	25.3
40	-	-	-	12.2	31.5	22.3	19.0	35.5	25.3
41	7.9	38.8	36.8	11.5	31.5	22.3	19.0	35.5	25.3
42	7.5	38.8	36.8	10.9	31.5	22.3	19.0	35.5	25.3
43	7.1	38.8	36.8	10.4	31.5	22.3	18.5	35.5	25.3
44	6.8	38.8	36.8	9.9	31.5	22.3	17.6	35.5	25.3
45	6.4	38.8	36.8	9.4	31.5	22.3	16.7	35.5	25.3
46	5.9	43.5	31.3	8.9	31.5	22.3	15.9	35.5	25.3
47	5.6	43.5	31.3	8.5	31.5	22.3	15.2	35.5	25.3
48	5.3	43.5	31.3	8.1	31.5	22.3	14.5	35.5	25.3
49	5.1	43.5	31.3	7.8	31.5	22.3	13.9	35.5	25.3
50	4.9	43.5	31.3	7.4	31.5	22.3	13.2	35.5	25.3
51	4.7	43.5	31.3	7.1	31.5	22.3	12.7	35.5	25.3
52	4.5	43.5	31.3	6.8	31.5	22.3	12.1	35.5	25.3
53	4.3	43.5	31.3	5.9	34.0	18.5	11.6	35.5	25.3
54	4.1	43.5	31.3	5.6	34.0	18.5	11.2	35.5	25.3
55	3.9	43.5	31.3	5.4	34.0	18.5	10.7	35.5	25.3
56	3.8	43.5	31.3	5.2	34.0	18.5	10.3	35.5	25.3
57	3.6	43.5	31.3	-	-	-	9.9	35.5	25.3
58	3.5	43.5	31.3	-	-	-	9.5	35.5	25.3
59	3.4	43.5	31.3	-	-	-	9.2	35.5	25.3
60	3.3	43.5	31.3	-	-	-	7.9	38.4	21.0
61	3.1	43.5	31.3	-	-	-	7.7	38.4	21.0
62	3.0	43.5	31.3	-	-	-	7.4	38.4	21.0
63	2.9	43.5	31.3	-	-	-	7.1	38.4	21.0
64	2.8	43.5	31.3	-	-	-	-	-	-
65	2.7	43.5	31.3	-	-	-	-	-	-
66	2.6	43.5	31.3	-	-	-	-	-	-
67	2.6	43.5	31.3	-	-	-	-	-	-
68	2.5	43.5	31.3	-	-	-	-	-	-
69	2.4	43.5	31.3	-	-	-	-	-	-
70	2.3	43.5	31.3	-	-	-	-	-	-
71	2.2	43.5	31.3	-	-	-	-	-	-
72	2.2	43.5	31.3	-	-	-	-	-	-
73	1.9	47.0	26.0	-	-	-	-	-	-
74	1.8	47.0	26.0	-	-	-	-	-	-
75	1.8	47.0	26.0	-	-	-	-	-	-
76	1.7	47.0	26.0	-	-	-	-	-	-
77	1.7	47.0	26.0	-	-	-	-	-	-
78	1.6	47.0	26.0	-	-	-	-	-	-
79	-	-	-	-	-	-	-	-	-
80	-	-	-	-	-	-	-	-	-
81	-	-	-	-	-	-	-	-	-
82	-	-	-	-	-	-	-	-	-
83	-	-	-	-	-	-	-	-	-
84	-	-	-	-	-	-	-	-	-
85	-	-	-	-	-	-	-	-	-
86	-	-	-	-	-	-	-	-	-
87	-	-	-	-	-	-	-	-	-
88	-	-	-	-	-	-	-	-	-
89	-	-	-	-	-	-	-	-	-
90	-	-	-	-	-	-	-	-	-
91	-	-	-	-	-	-	-	-	-
92	-	-	-	-	-	-	-	-	-
93	-	-	-	-	-	-	-	-	-
94	-	-	-	-	-	-	-	-	-
95	-	-	-	-	-	-	-	-	-
96	-	-	-	-	-	-	-	-	-
97	-	-	-	-	-	-	-	-	-

Notes:

1. This estimating chart assumes that the brace top and bottom connections (i.e. panel or slab connection) are sufficient enough to achieve full brace capacity.
2. "S" indicates the maximum allowable horizontal spacing of the braces in feet.
3. "L" indicates the length of brace in feet.
4. "(V+Y)" indicates the vertical distance from the bottom of the panel to the brace insert in feet.
5. "X" indicates the horizontal distance from the face of the panel to the base of the brace in feet.

Estimated Allowable Panel Width (ft) per Brace <sup>1</sup>									
Distance from bottom of panel to F.F. = 2.00 ft and Exposure Categories A, B and C									
Brace	Superior 42+10			Superior 52			Superior 62		
Brace Length "L"	42'-0" w/ 10'-0" ext.			52'-0"			62'-0"		
Panel Height "H"	S <sup>3</sup>	(V+Y) <sup>5</sup>	X <sup>6</sup>	S <sup>2</sup>	(V+Y) <sup>4</sup>	X <sup>5</sup>	S <sup>2</sup>	(V+Y) <sup>4</sup>	X <sup>5</sup>
28	-	-	-	-	-	-	-	-	-
29	-	-	-	-	-	-	-	-	-
30	-	-	-	-	-	-	-	-	-
31	-	-	-	-	-	-	-	-	-
32	-	-	-	-	-	-	-	-	-
33	-	-	-	-	-	-	-	-	-
34	-	-	-	-	-	-	-	-	-
35	-	-	-	-	-	-	-	-	-
36	-	-	-	-	-	-	-	-	-
37	-	-	-	-	-	-	-	-	-
38	-	-	-	-	-	-	-	-	-
39	-	-	-	-	-	-	-	-	-
40	-	-	-	-	-	-	-	-	-
41	16.6	38.8	36.8	19.0	38.8	36.8	-	-	-
42	15.8	38.8	36.8	19.0	38.8	36.8	-	-	-
43	15.0	38.8	36.8	19.0	38.8	36.8	-	-	-
44	14.2	38.8	36.8	19.0	38.8	36.8	-	-	-
45	13.5	38.8	36.8	19.0	38.8	36.8	-	-	-
46	12.3	43.5	31.3	19.0	43.5	31.3	-	-	-
47	11.8	43.5	31.3	18.8	43.5	31.3	-	-	-
48	11.2	43.5	31.3	18.0	43.5	31.3	19.0	45.8	43.8
49	10.7	43.5	31.3	17.2	43.5	31.3	18.8	45.8	43.8
50	10.3	43.5	31.3	16.4	43.5	31.3	18.0	45.8	43.8
51	9.8	43.5	31.3	15.7	43.5	31.3	17.2	45.8	43.8
52	9.4	43.5	31.3	15.0	43.5	31.3	16.5	45.8	43.8
53	9.0	43.5	31.3	14.4	43.5	31.3	15.8	45.8	43.8
54	8.6	43.5	31.3	13.8	43.5	31.3	14.5	51.5	37.3
55	8.3	43.5	31.3	13.3	43.5	31.3	13.9	51.5	37.3
56	8.0	43.5	31.3	12.8	43.5	31.3	13.4	51.5	37.3
57	7.7	43.5	31.3	12.3	43.5	31.3	12.9	51.5	37.3
58	7.4	43.5	31.3	11.8	43.5	31.3	12.4	51.5	37.3
59	7.1	43.5	31.3	11.4	43.5	31.3	11.9	51.5	37.3
60	6.9	43.5	31.3	11.0	43.5	31.3	11.5	51.5	37.3
61	6.6	43.5	31.3	10.6	43.5	31.3	11.1	51.5	37.3
62	6.4	43.5	31.3	10.2	43.5	31.3	10.7	51.5	37.3
63	6.2	43.5	31.3	9.8	43.5	31.3	10.3	51.5	37.3
64	5.9	43.5	31.3	9.5	43.5	31.3	10.0	51.5	37.3
65	5.7	43.5	31.3	9.2	43.5	31.3	9.6	51.5	37.3
66	5.6	43.5	31.3	8.9	43.5	31.3	9.3	51.5	37.3
67	5.4	43.5	31.3	8.6	43.5	31.3	9.0	51.5	37.3
68	5.2	43.5	31.3	8.3	43.5	31.3	8.7	51.5	37.3
69	5.0	43.5	31.3	8.0	43.5	31.3	8.4	51.5	37.3
70	4.9	43.5	31.3	7.8	43.5	31.3	8.2	51.5	37.3
71	4.7	43.5	31.3	7.6	43.5	31.3	7.9	51.5	37.3
72	4.6	43.5	31.3	7.3	43.5	31.3	7.7	51.5	37.3
73	4.0	47.0	26.0	6.4	47.0	26.0	7.4	51.5	37.3
74	3.9	47.0	26.0	6.2	47.0	26.0	7.2	51.5	37.3
75	3.8	47.0	26.0	6.0	47.0	26.0	7.0	51.5	37.3
76	3.6	47.0	26.0	5.8	47.0	26.0	6.8	51.5	37.3
77	3.5	47.0	26.0	5.7	47.0	26.0	6.6	51.5	37.3
78	3.4	47.0	26.0	5.5	47.0	26.0	6.4	51.5	37.3
79	-	-	-	-	-	-	6.3	51.5	37.3
80	-	-	-	-	-	-	6.1	51.5	37.3
81	-	-	-	-	-	-	5.9	51.5	37.3
82	-	-	-	-	-	-	5.8	51.5	37.3
83	-	-	-	-	-	-	5.6	51.5	37.3
84	-	-	-	-	-	-	5.5	51.5	37.3
85	-	-	-	-	-	-	5.3	51.5	37.3
86	-	-	-	-	-	-	4.7	55.7	31.0
87	-	-	-	-	-	-	4.5	55.7	31.0
88	-	-	-	-	-	-	4.4	55.7	31.0
89	-	-	-	-	-	-	4.3	55.7	31.0
90	-	-	-	-	-	-	4.2	55.7	31.0
91	-	-	-	-	-	-	4.1	55.7	31.0
92	-	-	-	-	-	-	4.0	55.7	31.0
93	-	-	-	-	-	-	-	-	-
94	-	-	-	-	-	-	-	-	-
95	-	-	-	-	-	-	-	-	-
96	-	-	-	-	-	-	-	-	-
97	-	-	-	-	-	-	-	-	-

Notes:

1. This estimating chart assumes that the brace top and bottom connections (i.e. panel or slab connection) are sufficient enough to achieve full brace capacity.
2. "S" indicates the maximum allowable horizontal spacing of the braces in feet.
3. "L" indicates the length of brace in feet.
4. "(V+Y)" indicates the vertical distance from the bottom of the panel to the brace insert in feet.
5. "X" indicates the horizontal distance from the face of the panel to the base of the brace in feet.

Estimated Allowable Panel Width (ft) Per Brace <sup>1</sup>												
Distance from bottom of panel to F.F. (Y) = 3.00 ft and Exposure Categories A, B and C												
Brace	Superior 8-14				Superior 14-23				Superior 22-30			
Brace Length "L"	8'-0" to 14'-0"				14'-6" to 23'-6"				22'-6" to 29'-0"			
Panel Height "H"	S <sup>2</sup>	L <sup>3</sup>	(V+Y) <sup>4</sup>	X <sup>5</sup>	S <sup>2</sup>	L <sup>3</sup>	(V+Y) <sup>4</sup>	X <sup>5</sup>	S <sup>2</sup>	L <sup>3</sup>	(V+Y) <sup>4</sup>	X <sup>5</sup>
8	-	-	-	-	-	-	-	-	-	-	-	-
9	-	-	-	-	-	-	-	-	-	-	-	-
10	19.0	7.5	8.3	5.3	-	-	-	-	-	-	-	-
11	19.0	7.5	9.0	4.5	-	-	-	-	-	-	-	-
12	19.0	7.5	9.0	4.5	-	-	-	-	-	-	-	-
13	19.0	7.5	9.0	4.5	-	-	-	-	-	-	-	-
14	19.0	7.5	9.0	4.5	-	-	-	-	-	-	-	-
15	19.0	7.9	9.3	4.8	-	-	-	-	-	-	-	-
16	19.0	8.3	9.7	5.0	19.0	15.0	13.6	10.6	-	-	-	-
17	19.0	9.1	10.3	5.5	19.0	15.0	15.0	9.0	-	-	-	-
18	19.0	10.8	11.6	6.5	19.0	15.0	15.0	9.0	-	-	-	-
19	18.7	10.8	11.6	6.5	19.0	15.0	15.0	9.0	-	-	-	-
20	14.4	11.7	12.3	7.0	19.0	15.0	15.0	9.0	-	-	-	-
21	11.5	12.4	12.9	7.5	19.0	15.0	15.0	9.0	19.0	22.5	18.9	15.9
22	9.2	13.3	13.6	8.0	19.0	16.7	16.3	10.0	19.0	22.5	18.9	15.9
23	7.4	13.3	14.5	6.6	17.4	16.7	16.3	10.0	19.0	22.5	21.0	13.5
24	6.7	13.3	14.5	6.6	15.8	16.7	16.3	10.0	18.7	22.5	21.0	13.5
25	-	-	-	-	14.4	16.7	16.3	10.0	17.1	22.5	21.0	13.5
26	-	-	-	-	13.2	16.7	16.3	10.0	15.7	22.5	21.0	13.5
27	-	-	-	-	12.2	16.7	16.3	10.0	14.4	22.5	21.0	13.5
28	-	-	-	-	10.7	17.5	17.0	10.5	13.3	22.5	21.0	13.5
29	-	-	-	-	8.3	18.3	17.6	11.0	12.3	22.5	21.0	13.5
30	-	-	-	-	6.5	19.2	18.3	11.5	11.4	22.5	21.0	13.5
31	-	-	-	-	5.7	20.0	19.0	12.0	10.6	22.5	21.0	13.5
32	-	-	-	-	4.0	21.7	20.3	13.0	9.9	22.5	21.0	13.5
33	-	-	-	-	3.7	21.7	20.3	13.0	9.2	22.5	21.0	13.5
34	-	-	-	-	3.3	22.5	21.0	13.5	8.7	22.5	21.0	13.5
35	-	-	-	-	2.7	23.3	21.6	14.0	7.5	23.3	21.6	14.0
36	-	-	-	-	2.6	23.3	21.6	14.0	7.0	23.3	21.6	14.0
37	-	-	-	-	2.2	23.3	23.2	11.7	6.1	24.2	22.3	14.5
38	-	-	-	-	2.0	23.3	23.2	11.7	5.3	25.0	23.0	15.0
39	-	-	-	-	-	-	-	-	4.2	25.8	23.6	15.5
40	-	-	-	-	-	-	-	-	3.3	26.7	24.3	16.0
41	-	-	-	-	-	-	-	-	2.9	27.5	25.0	16.5
42	-	-	-	-	-	-	-	-	2.3	28.3	25.6	17.1
43	-	-	-	-	-	-	-	-	1.9	29.2	26.3	17.6
44	-	-	-	-	-	-	-	-	1.7	30.0	27.0	18.1
45	-	-	-	-	-	-	-	-	1.4	30.8	27.6	18.6
46	-	-	-	-	-	-	-	-	1.3	30.8	27.6	18.6
47	-	-	-	-	-	-	-	-	1.1	30.8	29.7	15.4
48	-	-	-	-	-	-	-	-	1.1	30.8	29.7	15.4
49	-	-	-	-	-	-	-	-	1.0	30.8	29.7	15.4
50	-	-	-	-	-	-	-	-	-	-	-	-
51	-	-	-	-	-	-	-	-	-	-	-	-
52	-	-	-	-	-	-	-	-	-	-	-	-
53	-	-	-	-	-	-	-	-	-	-	-	-
54	-	-	-	-	-	-	-	-	-	-	-	-

Notes:

1. This estimating chart assumes that the brace top and bottom connections (i.e. panel or slab connection) are sufficient enough to achieve full brace capacity.
2. "S" indicates the maximum allowable horizontal spacing of the braces in feet.
3. "L" indicates the length of brace in feet.
4. "(V+Y)" indicates the vertical distance from the bottom of the panel to the brace insert in feet.
5. "X" indicates the horizontal distance from the face of the panel to the base of the brace in feet.

Estimated Allowable Panel Width (ft) Per Brace <sup>1</sup>												
Distance from bottom of panel to F.F. (Y) = 3.00 ft and Exposure Categories A, B and C												
Brace	Superior 17			Superior 22			Superior 22+5			Superior 22+10		
Brace Length "L"	17'-0"			22'-0"			22'-0" w/ 5'-0" ext.			22'-0" w/ 10'-0" ext.		
Panel Height "H"	S <sup>2</sup>	(V+Y) <sup>4</sup>	X <sup>5</sup>	S <sup>2</sup>	(V+Y) <sup>4</sup>	X <sup>5</sup>	S <sup>2</sup>	(V+Y) <sup>4</sup>	X <sup>5</sup>	S <sup>2</sup>	(V+Y) <sup>4</sup>	X <sup>5</sup>
8	-	-	-	-	-	-	-	-	-	-	-	-
9	-	-	-	-	-	-	-	-	-	-	-	-
10	-	-	-	-	-	-	-	-	-	-	-	-
11	-	-	-	-	-	-	-	-	-	-	-	-
12	-	-	-	-	-	-	-	-	-	-	-	-
13	-	-	-	-	-	-	-	-	-	-	-	-
14	-	-	-	-	-	-	-	-	-	-	-	-
15	-	-	-	-	-	-	-	-	-	-	-	-
16	-	-	-	-	-	-	-	-	-	-	-	-
17	<b>19.0</b>	15.0	12.0	-	-	-	-	-	-	-	-	-
18	<b>19.0</b>	15.0	12.0	-	-	-	-	-	-	-	-	-
19	<b>19.0</b>	16.6	10.2	-	-	-	-	-	-	-	-	-
20	<b>19.0</b>	16.6	10.2	-	-	-	-	-	-	-	-	-
21	<b>19.0</b>	16.6	10.2	<b>19.0</b>	18.6	15.6	-	-	-	-	-	-
22	<b>19.0</b>	16.6	10.2	<b>19.0</b>	18.6	15.6	-	-	-	-	-	-
23	<b>19.0</b>	16.6	10.2	<b>19.0</b>	20.6	13.2	-	-	-	-	-	-
24	<b>19.0</b>	16.6	10.2	<b>19.0</b>	20.6	13.2	<b>18.6</b>	22.1	19.1	-	-	-
25	<b>19.0</b>	16.6	10.2	<b>18.2</b>	20.6	13.2	<b>17.0</b>	22.1	19.1	-	-	-
26	<b>18.0</b>	16.6	10.2	<b>16.7</b>	20.6	13.2	<b>15.6</b>	22.1	19.1	-	-	-
27	<b>16.6</b>	16.6	10.2	<b>15.4</b>	20.6	13.2	<b>13.6</b>	24.6	16.2	-	-	-
28	<b>13.6</b>	17.7	8.5	<b>14.2</b>	20.6	13.2	<b>12.5</b>	24.6	16.2	<b>11.5</b>	25.6	22.6
29	<b>12.6</b>	17.7	8.5	<b>13.1</b>	20.6	13.2	<b>11.6</b>	24.6	16.2	<b>10.6</b>	25.6	22.6
30	-	-	-	<b>12.2</b>	20.6	13.2	<b>10.7</b>	24.6	16.2	<b>9.9</b>	25.6	22.6
31	-	-	-	<b>11.3</b>	20.6	13.2	<b>10.0</b>	24.6	16.2	<b>8.7</b>	28.6	19.3
32	-	-	-	<b>10.6</b>	20.6	13.2	<b>9.3</b>	24.6	16.2	<b>8.1</b>	28.6	19.3
33	-	-	-	<b>9.9</b>	20.6	13.2	<b>8.7</b>	24.6	16.2	<b>7.6</b>	28.6	19.3
34	-	-	-	<b>9.2</b>	20.6	13.2	<b>8.1</b>	24.6	16.2	<b>7.1</b>	28.6	19.3
35	-	-	-	<b>7.7</b>	22.1	11.0	<b>7.6</b>	24.6	16.2	<b>6.7</b>	28.6	19.3
36	-	-	-	<b>7.2</b>	22.1	11.0	<b>7.2</b>	24.6	16.2	<b>6.3</b>	28.6	19.3
37	-	-	-	-	-	-	<b>6.8</b>	24.6	16.2	<b>5.9</b>	28.6	19.3
38	-	-	-	-	-	-	<b>6.4</b>	24.6	16.2	<b>5.6</b>	28.6	19.3
39	-	-	-	-	-	-	<b>6.0</b>	24.6	16.2	<b>5.2</b>	28.6	19.3
40	-	-	-	-	-	-	<b>5.7</b>	24.6	16.2	<b>5.0</b>	28.6	19.3
41	-	-	-	-	-	-	<b>4.8</b>	26.4	13.5	<b>4.7</b>	28.6	19.3
42	-	-	-	-	-	-	<b>4.6</b>	26.4	13.5	<b>4.5</b>	28.6	19.3
43	-	-	-	-	-	-	<b>4.3</b>	26.4	13.5	<b>4.2</b>	28.6	19.3
44	-	-	-	-	-	-	-	-	-	<b>4.0</b>	28.6	19.3
45	-	-	-	-	-	-	-	-	-	<b>3.8</b>	28.6	19.3
46	-	-	-	-	-	-	-	-	-	<b>3.6</b>	28.6	19.3
47	-	-	-	-	-	-	-	-	-	<b>3.5</b>	28.6	19.3
48	-	-	-	-	-	-	-	-	-	<b>3.0</b>	30.7	16.0
49	-	-	-	-	-	-	-	-	-	<b>2.8</b>	30.7	16.0
50	-	-	-	-	-	-	-	-	-	<b>2.7</b>	30.7	16.0
51	-	-	-	-	-	-	-	-	-	<b>2.6</b>	30.7	16.0
52	-	-	-	-	-	-	-	-	-	-	-	-
53	-	-	-	-	-	-	-	-	-	-	-	-
54	-	-	-	-	-	-	-	-	-	-	-	-

Notes:

1. This estimating chart assumes that the brace top and bottom connections (i.e. panel or slab connection) are sufficient enough to achieve full brace capacity.
2. "S" indicates the maximum allowable horizontal spacing of the braces in feet.
3. "L" indicates the length of brace in feet.
4. "(V+Y)" indicates the vertical distance from the bottom of the panel to the brace insert in feet.
5. "X" indicates the horizontal distance from the face of the panel to the base of the brace in feet.

Estimated Allowable Panel Width (ft) Per Brace <sup>1</sup>																
Distance from bottom of panel to F.F. (Y) = 3.00 ft and Exposure Categories A, B and C																
Brace	B11 (Discontinued)				Superior 32			Superior 33 HD			B13 Discontinued			Superior 32+10		
	Brace Length "L"	25'-0" to 40'-0"				32'-0"			33'-0"			27'-0"			32'-0" w/ 10'-0" ext.	
Panel Height "H"	S <sup>2</sup>	L <sup>3</sup>	(V+Y) <sup>4</sup>	X <sup>5</sup>	S <sup>2</sup>	(V+Y) <sup>4</sup>	X <sup>5</sup>	S <sup>2</sup>	(V+Y) <sup>4</sup>	X <sup>5</sup>	S <sup>2</sup>	(V+Y) <sup>4</sup>	X <sup>5</sup>	S <sup>2</sup>	(V+Y) <sup>4</sup>	X <sup>5</sup>
22	-	-	-	-	-	-	-	-	-	-	-	-	-	-	-	-
23	19.0	25.5	21.0	18.0	-	-	-	-	-	-	-	-	-	-	-	-
24	19.0	25.5	21.0	18.0	-	-	-	-	-	-	19.0	22.1	19.1	-	-	-
25	19.0	25.5	23.4	15.3	-	-	-	-	-	-	19.0	22.1	19.1	-	-	-
26	19.0	25.5	23.4	15.3	-	-	-	-	-	-	19.0	22.1	19.1	-	-	-
27	19.0	25.5	23.4	15.3	-	-	-	-	-	-	19.0	24.6	16.2	-	-	-
28	19.0	25.5	23.4	15.3	19.0	25.6	22.6	19.0	26.3	23.3	19.0	24.6	16.2	-	-	-
29	19.0	25.5	23.4	15.3	19.0	25.6	22.6	19.0	26.3	23.3	19.0	24.6	16.2	-	-	-
30	19.0	25.5	23.4	15.3	19.0	25.6	22.6	19.0	26.3	23.3	19.0	24.6	16.2	-	-	-
31	19.0	28.0	25.4	16.9	19.0	28.6	19.3	19.0	29.4	19.9	18.7	24.6	16.2	-	-	-
32	19.0	30.0	27.0	18.1	19.0	28.6	19.3	19.0	29.4	19.9	17.5	24.6	16.2	-	-	-
33	19.0	34.0	30.2	20.5	19.0	28.6	19.3	19.0	29.4	19.9	16.3	24.6	16.2	-	-	-
34	19.0	35.0	31.0	21.1	17.7	28.6	19.3	18.2	29.4	19.9	15.3	24.6	16.2	-	-	-
35	19.0	38.0	33.3	22.9	16.6	28.6	19.3	17.1	29.4	19.9	14.3	24.6	16.2	12.9	32.7	29.7
36	18.7	39.0	34.1	23.5	15.6	28.6	19.3	16.1	29.4	19.9	13.5	24.6	16.2	12.2	32.7	29.7
37	18.0	40.0	34.9	24.1	14.7	28.6	19.3	15.1	29.4	19.9	12.7	24.6	16.2	11.4	32.7	29.7
38	17.0	40.0	34.9	24.1	13.9	28.6	19.3	14.3	29.4	19.9	11.9	24.6	16.2	10.8	32.7	29.7
39	16.0	40.0	34.9	24.1	13.1	28.6	19.3	13.5	29.4	19.9	11.3	24.6	16.2	9.7	36.5	25.3
40	15.2	40.0	34.9	24.1	12.4	28.6	19.3	12.7	29.4	19.9	10.7	24.6	16.2	9.2	36.5	25.3
41	14.4	40.0	34.9	24.1	11.7	28.6	19.3	12.1	29.4	19.9	9.0	26.4	13.5	8.7	36.5	25.3
42	13.6	40.0	34.9	24.1	11.1	28.6	19.3	11.4	29.4	19.9	8.5	26.4	13.5	8.2	36.5	25.3
43	12.9	40.0	34.9	24.1	10.6	28.6	19.3	10.9	29.4	19.9	8.1	26.4	13.5	7.8	36.5	25.3
44	12.3	40.0	34.9	24.1	10.0	28.6	19.3	10.3	29.4	19.9	-	-	-	7.4	36.5	25.3
45	11.7	40.0	34.9	24.1	9.6	28.6	19.3	9.8	29.4	19.9	-	-	-	7.1	36.5	25.3
46	11.1	40.0	34.9	24.1	9.1	28.6	19.3	9.4	29.4	19.9	-	-	-	6.7	36.5	25.3
47	10.6	40.0	34.9	24.1	8.7	28.6	19.3	8.9	29.4	19.9	-	-	-	6.4	36.5	25.3
48	10.1	40.0	34.9	24.1	7.4	30.7	16.0	8.5	29.4	19.9	-	-	-	6.1	36.5	25.3
49	9.7	40.0	34.9	24.1	7.1	30.7	16.0	7.3	31.6	16.5	-	-	-	5.9	36.5	25.3
50	9.3	40.0	34.9	24.1	6.8	30.7	16.0	7.0	31.6	16.5	-	-	-	5.6	36.5	25.3
51	8.9	40.0	34.9	24.1	6.5	30.7	16.0	6.7	31.6	16.5	-	-	-	5.4	36.5	25.3
52	8.5	40.0	34.9	24.1	-	-	-	6.4	31.6	16.5	-	-	-	5.1	36.5	25.3
53	8.1	40.0	34.9	24.1	-	-	-	-	-	-	-	-	-	4.9	36.5	25.3
54	7.8	40.0	34.9	24.1	-	-	-	-	-	-	-	-	-	4.7	36.5	25.3
55	7.5	40.0	34.9	24.1	-	-	-	-	-	-	-	-	-	4.5	36.5	25.3
56	7.2	40.0	34.9	24.1	-	-	-	-	-	-	-	-	-	4.4	36.5	25.3
57	6.9	40.0	34.9	24.1	-	-	-	-	-	-	-	-	-	4.2	36.5	25.3
58	6.7	40.0	34.9	24.1	-	-	-	-	-	-	-	-	-	4.0	36.5	25.3
59	5.7	40.0	37.6	20.0	-	-	-	-	-	-	-	-	-	3.9	36.5	25.3
60	5.5	40.0	37.6	20.0	-	-	-	-	-	-	-	-	-	3.7	36.5	25.3
61	5.3	40.0	37.6	20.0	-	-	-	-	-	-	-	-	-	3.2	39.4	21.0
62	5.2	40.0	37.6	20.0	-	-	-	-	-	-	-	-	-	3.1	39.4	21.0
63	-	-	-	-	-	-	-	-	-	-	-	-	-	3.0	39.4	21.0
64	-	-	-	-	-	-	-	-	-	-	-	-	-	2.9	39.4	21.0
65	-	-	-	-	-	-	-	-	-	-	-	-	-	2.8	39.4	21.0
66	-	-	-	-	-	-	-	-	-	-	-	-	-	-	-	-
67	-	-	-	-	-	-	-	-	-	-	-	-	-	-	-	-
68	-	-	-	-	-	-	-	-	-	-	-	-	-	-	-	-
69	-	-	-	-	-	-	-	-	-	-	-	-	-	-	-	-
70	-	-	-	-	-	-	-	-	-	-	-	-	-	-	-	-

Notes:

1. This estimating chart assumes that the brace top and bottom connections (i.e. panel or slab connection) are sufficient enough to achieve full brace capacity.
2. "S" indicates the maximum allowable horizontal spacing of the braces in feet.
3. "L" indicates the length of brace in feet.
4. "(V+Y)" indicates the vertical distance from the bottom of the panel to the brace insert in feet.
5. "X" indicates the horizontal distance from the face of the panel to the base of the brace in feet.
6. "MTO" indicates made to order, this is not a rentable item.

Estimated Allowable Panel Width (ft) per Brace <sup>1</sup>									
Distance from bottom of panel to F.F. = 3.00 ft and Exposure Categories A, B and C									
Brace	Superior 32+10+10			Superior 32+5			Superior 42		
Brace Length "L"	32'-0" w/ 20'-0" ext.			32'-0" w/ 5'-0" ext.			42'-0"		
Panel Height "H"	S <sup>2</sup>	(V+Y) <sup>4</sup>	X <sup>5</sup>	S <sup>2</sup>	(V+Y) <sup>4</sup>	X <sup>5</sup>	S <sup>3</sup>	(V+Y) <sup>5</sup>	X <sup>6</sup>
28	-	-	-	-	-	-	-	-	-
29	-	-	-	-	-	-	-	-	-
30	-	-	-	-	-	-	-	-	-
31	-	-	-	19.0	29.2	26.2	-	-	-
32	-	-	-	19.0	29.2	26.2	-	-	-
33	-	-	-	19.0	29.2	26.2	-	-	-
34	-	-	-	18.9	29.2	26.2	-	-	-
35	-	-	-	16.9	32.5	22.3	19.0	32.7	29.7
36	-	-	-	15.8	32.5	22.3	19.0	32.7	29.7
37	-	-	-	14.9	32.5	22.3	19.0	32.7	29.7
38	-	-	-	14.1	32.5	22.3	19.0	32.7	29.7
39	-	-	-	13.3	32.5	22.3	19.0	36.5	25.3
40	-	-	-	12.6	32.5	22.3	19.0	36.5	25.3
41	-	-	-	11.9	32.5	22.3	19.0	36.5	25.3
42	7.7	39.8	36.8	11.3	32.5	22.3	19.0	36.5	25.3
43	7.3	39.8	36.8	10.7	32.5	22.3	19.0	36.5	25.3
44	6.9	39.8	36.8	10.2	32.5	22.3	18.1	36.5	25.3
45	6.6	39.8	36.8	9.7	32.5	22.3	17.2	36.5	25.3
46	6.3	39.8	36.8	9.2	32.5	22.3	16.4	36.5	25.3
47	5.7	44.5	31.3	8.8	32.5	22.3	15.6	36.5	25.3
48	5.5	44.5	31.3	8.4	32.5	22.3	14.9	36.5	25.3
49	5.2	44.5	31.3	8.0	32.5	22.3	14.2	36.5	25.3
50	5.0	44.5	31.3	7.7	32.5	22.3	13.6	36.5	25.3
51	4.8	44.5	31.3	7.3	32.5	22.3	13.0	36.5	25.3
52	4.6	44.5	31.3	7.0	32.5	22.3	12.5	36.5	25.3
53	4.4	44.5	31.3	6.7	32.5	22.3	12.0	36.5	25.3
54	4.2	44.5	31.3	6.5	32.5	22.3	11.5	36.5	25.3
55	4.0	44.5	31.3	5.6	35.0	18.5	11.0	36.5	25.3
56	3.9	44.5	31.3	5.3	35.0	18.5	10.6	36.5	25.3
57	3.7	44.5	31.3	5.1	35.0	18.5	10.2	36.5	25.3
58	3.6	44.5	31.3	4.9	35.0	18.5	9.8	36.5	25.3
59	3.5	44.5	31.3	-	-	-	9.4	36.5	25.3
60	3.3	44.5	31.3	-	-	-	9.1	36.5	25.3
61	3.2	44.5	31.3	-	-	-	7.9	39.4	21.0
62	3.1	44.5	31.3	-	-	-	7.6	39.4	21.0
63	3.0	44.5	31.3	-	-	-	7.3	39.4	21.0
64	2.9	44.5	31.3	-	-	-	7.1	39.4	21.0
65	2.8	44.5	31.3	-	-	-	6.8	39.4	21.0
66	2.7	44.5	31.3	-	-	-	-	-	-
67	2.6	44.5	31.3	-	-	-	-	-	-
68	2.5	44.5	31.3	-	-	-	-	-	-
69	2.4	44.5	31.3	-	-	-	-	-	-
70	2.4	44.5	31.3	-	-	-	-	-	-
71	2.3	44.5	31.3	-	-	-	-	-	-
72	2.2	44.5	31.3	-	-	-	-	-	-
73	2.2	44.5	31.3	-	-	-	-	-	-
74	2.1	44.5	31.3	-	-	-	-	-	-
75	1.8	48.0	26.0	-	-	-	-	-	-
76	1.8	48.0	26.0	-	-	-	-	-	-
77	1.7	48.0	26.0	-	-	-	-	-	-
78	1.7	48.0	26.0	-	-	-	-	-	-
79	1.6	48.0	26.0	-	-	-	-	-	-
80	1.6	48.0	26.0	-	-	-	-	-	-
81	-	-	-	-	-	-	-	-	-
82	-	-	-	-	-	-	-	-	-
83	-	-	-	-	-	-	-	-	-
84	-	-	-	-	-	-	-	-	-
85	-	-	-	-	-	-	-	-	-
86	-	-	-	-	-	-	-	-	-
87	-	-	-	-	-	-	-	-	-
88	-	-	-	-	-	-	-	-	-
89	-	-	-	-	-	-	-	-	-
90	-	-	-	-	-	-	-	-	-
91	-	-	-	-	-	-	-	-	-
92	-	-	-	-	-	-	-	-	-
93	-	-	-	-	-	-	-	-	-
94	-	-	-	-	-	-	-	-	-
95	-	-	-	-	-	-	-	-	-
96	-	-	-	-	-	-	-	-	-
97	-	-	-	-	-	-	-	-	-

Notes:

1. This estimating chart assumes that the brace top and bottom connections (i.e. panel or slab connection) are sufficient enough to achieve full brace capacity.
2. "S" indicates the maximum allowable horizontal spacing of the braces in feet.
3. "L" indicates the length of brace in feet.
4. "(V+Y)" indicates the vertical distance from the bottom of the panel to the brace insert in feet.
5. "X" indicates the horizontal distance from the face of the panel to the base of the brace in feet.

Estimated Allowable Panel Width (ft) per Brace <sup>1</sup>									
Distance from bottom of panel to F.F. = 3.00 ft and Exposure Categories A, B and C									
Brace	Superior 42+10			Superior 52			Superior 62		
Brace Length "L"	42'-0" w/ 10'-0" ext.			52'-0"			62'-0"		
Panel Height "H"	S <sup>2</sup>	(V+Y) <sup>5</sup>	X <sup>6</sup>	S <sup>2</sup>	(V+Y) <sup>4</sup>	X <sup>5</sup>	S <sup>2</sup>	(V+Y) <sup>4</sup>	X <sup>5</sup>
28	-	-	-	-	-	-	-	-	-
29	-	-	-	-	-	-	-	-	-
30	-	-	-	-	-	-	-	-	-
31	-	-	-	-	-	-	-	-	-
32	-	-	-	-	-	-	-	-	-
33	-	-	-	-	-	-	-	-	-
34	-	-	-	-	-	-	-	-	-
35	-	-	-	-	-	-	-	-	-
36	-	-	-	-	-	-	-	-	-
37	-	-	-	-	-	-	-	-	-
38	-	-	-	-	-	-	-	-	-
39	-	-	-	-	-	-	-	-	-
40	-	-	-	-	-	-	-	-	-
41	-	-	-	-	-	-	-	-	-
42	16.2	39.8	36.8	19.0	39.8	36.8	-	-	-
43	15.4	39.8	36.8	19.0	39.8	36.8	-	-	-
44	14.6	39.8	36.8	19.0	39.8	36.8	-	-	-
45	13.9	39.8	36.8	19.0	39.8	36.8	-	-	-
46	13.2	39.8	36.8	19.0	39.8	36.8	-	-	-
47	12.0	44.5	31.3	19.0	44.5	31.3	-	-	-
48	11.5	44.5	31.3	18.4	44.5	31.3	-	-	-
49	11.0	44.5	31.3	17.5	44.5	31.3	19.0	46.8	43.8
50	10.5	44.5	31.3	16.8	44.5	31.3	18.4	46.8	43.8
51	10.0	44.5	31.3	16.1	44.5	31.3	17.6	46.8	43.8
52	9.6	44.5	31.3	15.4	44.5	31.3	16.8	46.8	43.8
53	9.2	44.5	31.3	14.8	44.5	31.3	16.1	46.8	43.8
54	8.8	44.5	31.3	14.2	44.5	31.3	15.5	46.8	43.8
55	8.5	44.5	31.3	13.6	44.5	31.3	14.2	52.5	37.3
56	8.2	44.5	31.3	13.1	44.5	31.3	13.6	52.5	37.3
57	7.9	44.5	31.3	12.6	44.5	31.3	13.1	52.5	37.3
58	7.6	44.5	31.3	12.1	44.5	31.3	12.6	52.5	37.3
59	7.3	44.5	31.3	11.6	44.5	31.3	12.2	52.5	37.3
60	7.0	44.5	31.3	11.2	44.5	31.3	11.7	52.5	37.3
61	6.8	44.5	31.3	10.8	44.5	31.3	11.3	52.5	37.3
62	6.5	44.5	31.3	10.4	44.5	31.3	10.9	52.5	37.3
63	6.3	44.5	31.3	10.1	44.5	31.3	10.5	52.5	37.3
64	6.1	44.5	31.3	9.7	44.5	31.3	10.2	52.5	37.3
65	5.9	44.5	31.3	9.4	44.5	31.3	9.8	52.5	37.3
66	5.7	44.5	31.3	9.1	44.5	31.3	9.5	52.5	37.3
67	5.5	44.5	31.3	8.8	44.5	31.3	9.2	52.5	37.3
68	5.3	44.5	31.3	8.5	44.5	31.3	8.9	52.5	37.3
69	5.1	44.5	31.3	8.2	44.5	31.3	8.6	52.5	37.3
70	5.0	44.5	31.3	8.0	44.5	31.3	8.3	52.5	37.3
71	4.8	44.5	31.3	7.7	44.5	31.3	8.1	52.5	37.3
72	4.7	44.5	31.3	7.5	44.5	31.3	7.8	52.5	37.3
73	4.5	44.5	31.3	7.3	44.5	31.3	7.6	52.5	37.3
74	4.4	44.5	31.3	7.1	44.5	31.3	7.4	52.5	37.3
75	3.8	48.0	26.0	6.1	48.0	26.0	7.2	52.5	37.3
76	3.7	48.0	26.0	6.0	48.0	26.0	6.9	52.5	37.3
77	3.6	48.0	26.0	5.8	48.0	26.0	6.7	52.5	37.3
78	3.5	48.0	26.0	5.6	48.0	26.0	6.6	52.5	37.3
79	3.4	48.0	26.0	5.5	48.0	26.0	6.4	52.5	37.3
80	3.3	48.0	26.0	5.3	48.0	26.0	6.2	52.5	37.3
81	-	-	-	-	-	-	6.0	52.5	37.3
82	-	-	-	-	-	-	5.9	52.5	37.3
83	-	-	-	-	-	-	5.7	52.5	37.3
84	-	-	-	-	-	-	5.6	52.5	37.3
85	-	-	-	-	-	-	5.4	52.5	37.3
86	-	-	-	-	-	-	5.3	52.5	37.3
87	-	-	-	-	-	-	5.2	52.5	37.3
88	-	-	-	-	-	-	4.5	56.7	31.0
89	-	-	-	-	-	-	4.4	56.7	31.0
90	-	-	-	-	-	-	4.3	56.7	31.0
91	-	-	-	-	-	-	4.2	56.7	31.0
92	-	-	-	-	-	-	4.1	56.7	31.0
93	-	-	-	-	-	-	4.0	56.7	31.0
94	-	-	-	-	-	-	3.9	56.7	31.0
95	-	-	-	-	-	-	-	-	-
96	-	-	-	-	-	-	-	-	-
97	-	-	-	-	-	-	-	-	-

Notes:

1. This estimating chart assumes that the brace top and bottom connections (i.e. panel or slab connection) are sufficient enough to achieve full brace capacity.
2. "S" indicates the maximum allowable horizontal spacing of the braces in feet.
3. "L" indicates the length of brace in feet.
4. "(V+Y)" indicates the vertical distance from the bottom of the panel to the brace insert in feet.
5. "X" indicates the horizontal distance from the face of the panel to the base of the brace in feet.

Estimated Allowable Panel Width (ft) Per Brace <sup>1</sup>												
Distance from bottom of panel to F.F. (Y) = 4.00 ft and Exposure Categories A, B and C												
Brace	Superior 8-14				Superior 14-23				Superior 22-30			
Brace Length "L"	8'-0" to 14'-0"				14'-6" to 23'-6"				22'-6" to 29'-0"			
Panel Height "H"	S <sup>2</sup>	L <sup>3</sup>	(V+Y) <sup>4</sup>	X <sup>5</sup>	S <sup>2</sup>	L <sup>3</sup>	(V+Y) <sup>4</sup>	X <sup>5</sup>	S <sup>2</sup>	L <sup>3</sup>	(V+Y) <sup>4</sup>	X <sup>5</sup>
8	-	-	-	-	-	-	-	-	-	-	-	-
9	-	-	-	-	-	-	-	-	-	-	-	-
10	-	-	-	-	-	-	-	-	-	-	-	-
11	19.0	7.5	9.3	5.3	-	-	-	-	-	-	-	-
12	19.0	7.5	10.0	4.5	-	-	-	-	-	-	-	-
13	19.0	7.5	10.0	4.5	-	-	-	-	-	-	-	-
14	19.0	7.5	10.0	4.5	-	-	-	-	-	-	-	-
15	19.0	7.5	10.0	4.5	-	-	-	-	-	-	-	-
16	19.0	7.5	10.0	4.5	-	-	-	-	-	-	-	-
17	19.0	7.9	10.3	4.8	19.0	15.0	14.6	10.6	-	-	-	-
18	19.0	9.1	11.3	5.5	19.0	15.0	16.0	9.0	-	-	-	-
19	19.0	10.8	12.6	6.5	19.0	15.0	16.0	9.0	-	-	-	-
20	18.1	10.8	12.6	6.5	19.0	15.0	16.0	9.0	-	-	-	-
21	13.9	11.7	13.3	7.0	19.0	15.0	16.0	9.0	-	-	-	-
22	12.6	11.7	13.3	7.0	19.0	16.7	17.3	10.0	19.0	22.5	19.9	15.9
23	10.1	12.4	13.9	7.5	18.4	16.7	17.3	10.0	19.0	22.5	19.9	15.9
24	8.2	13.3	14.6	8.0	16.8	16.7	17.3	10.0	19.0	22.5	22.0	13.5
25	6.6	13.3	15.5	6.6	15.3	16.7	17.3	10.0	17.9	22.5	22.0	13.5
26	-	-	-	-	14.1	16.7	17.3	10.0	16.4	22.5	22.0	13.5
27	-	-	-	-	12.9	16.7	17.3	10.0	15.1	22.5	22.0	13.5
28	-	-	-	-	11.9	16.7	17.3	10.0	13.9	22.5	22.0	13.5
29	-	-	-	-	10.5	17.5	18.0	10.5	12.9	22.5	22.0	13.5
30	-	-	-	-	8.1	18.3	18.6	11.0	12.0	22.5	22.0	13.5
31	-	-	-	-	7.6	18.3	18.6	11.0	11.1	22.5	22.0	13.5
32	-	-	-	-	6.0	19.2	19.3	11.5	10.4	22.5	22.0	13.5
33	-	-	-	-	5.3	20.0	20.0	12.0	9.7	22.5	22.0	13.5
34	-	-	-	-	3.7	21.7	21.3	13.0	9.1	22.5	22.0	13.5
35	-	-	-	-	3.5	21.7	21.3	13.0	8.5	22.5	22.0	13.5
36	-	-	-	-	3.0	22.5	22.0	13.5	8.0	22.5	22.0	13.5
37	-	-	-	-	2.5	23.3	22.6	14.0	6.9	23.3	22.6	14.0
38	-	-	-	-	2.1	23.3	24.2	11.7	6.0	24.2	23.3	14.5
39	-	-	-	-	2.0	23.3	24.2	11.7	5.2	25.0	24.0	15.0
40	-	-	-	-	1.9	23.3	24.2	11.7	4.1	25.8	24.6	15.5
41	-	-	-	-	-	-	-	-	3.9	25.8	24.6	15.5
42	-	-	-	-	-	-	-	-	3.1	26.7	25.3	16.0
43	-	-	-	-	-	-	-	-	2.7	27.5	26.0	16.5
44	-	-	-	-	-	-	-	-	2.2	28.3	26.6	17.1
45	-	-	-	-	-	-	-	-	1.8	29.2	27.3	17.6
46	-	-	-	-	-	-	-	-	1.6	30.0	28.0	18.1
47	-	-	-	-	-	-	-	-	1.3	30.8	28.6	18.6
48	-	-	-	-	-	-	-	-	1.1	30.8	30.7	15.4
49	-	-	-	-	-	-	-	-	1.1	30.8	30.7	15.4
50	-	-	-	-	-	-	-	-	1.0	30.8	30.7	15.4
51	-	-	-	-	-	-	-	-	1.0	30.8	30.7	15.4
52	-	-	-	-	-	-	-	-	-	-	-	-
53	-	-	-	-	-	-	-	-	-	-	-	-
54	-	-	-	-	-	-	-	-	-	-	-	-

Notes:

1. This estimating chart assumes that the brace top and bottom connections (i.e. panel or slab connection) are sufficient enough to achieve full brace capacity.
2. "S" indicates the maximum allowable horizontal spacing of the braces in feet.
3. "L" indicates the length of brace in feet.
4. "(V+Y)" indicates the vertical distance from the bottom of the panel to the brace insert in feet.
5. "X" indicates the horizontal distance from the face of the panel to the base of the brace in feet.

Estimated Allowable Panel Width (ft) Per Brace <sup>1</sup>												
Distance from bottom of panel to F.F. (Y) = 4.00 ft and Exposure Categories A, B and C												
Brace	Superior 17			Superior 22			Superior 22+5			Superior 22+10		
Brace Length "L"	17'-0"			22'-0"			22'-0" w/ 5'-0" ext.			22'-0" w/ 10'-0" ext.		
Panel Height "H"	S <sup>2</sup>	(V+Y) <sup>4</sup>	X <sup>5</sup>	S <sup>2</sup>	(V+Y) <sup>4</sup>	X <sup>5</sup>	S <sup>2</sup>	(V+Y) <sup>4</sup>	X <sup>5</sup>	S <sup>2</sup>	(V+Y) <sup>4</sup>	X <sup>5</sup>
8	-	-	-	-	-	-	-	-	-	-	-	-
9	-	-	-	-	-	-	-	-	-	-	-	-
10	-	-	-	-	-	-	-	-	-	-	-	-
11	-	-	-	-	-	-	-	-	-	-	-	-
12	-	-	-	-	-	-	-	-	-	-	-	-
13	-	-	-	-	-	-	-	-	-	-	-	-
14	-	-	-	-	-	-	-	-	-	-	-	-
15	-	-	-	-	-	-	-	-	-	-	-	-
16	-	-	-	-	-	-	-	-	-	-	-	-
17	-	-	-	-	-	-	-	-	-	-	-	-
18	19.0	16.0	12.0	-	-	-	-	-	-	-	-	-
19	19.0	16.0	12.0	-	-	-	-	-	-	-	-	-
20	19.0	17.6	10.2	-	-	-	-	-	-	-	-	-
21	19.0	17.6	10.2	-	-	-	-	-	-	-	-	-
22	19.0	17.6	10.2	19.0	19.6	15.6	-	-	-	-	-	-
23	19.0	17.6	10.2	19.0	19.6	15.6	-	-	-	-	-	-
24	19.0	17.6	10.2	19.0	21.6	13.2	-	-	-	-	-	-
25	19.0	17.6	10.2	19.0	21.6	13.2	17.7	23.1	19.1	-	-	-
26	19.0	17.6	10.2	17.5	21.6	13.2	16.3	23.1	19.1	-	-	-
27	17.6	17.6	10.2	16.1	21.6	13.2	15.0	23.1	19.1	-	-	-
28	16.2	17.6	10.2	14.9	21.6	13.2	13.0	25.6	16.2	-	-	-
29	15.0	17.6	10.2	13.8	21.6	13.2	12.0	25.6	16.2	11.1	26.6	22.6
30	12.3	18.7	8.5	12.8	21.6	13.2	11.2	25.6	16.2	10.3	26.6	22.6
31	11.5	18.7	8.5	11.9	21.6	13.2	10.4	25.6	16.2	9.5	26.6	22.6
32	-	-	-	11.1	21.6	13.2	9.7	25.6	16.2	8.4	29.6	19.3
33	-	-	-	10.3	21.6	13.2	9.1	25.6	16.2	7.8	29.6	19.3
34	-	-	-	9.7	21.6	13.2	8.5	25.6	16.2	7.3	29.6	19.3
35	-	-	-	9.1	21.6	13.2	7.9	25.6	16.2	6.9	29.6	19.3
36	-	-	-	7.6	23.1	11.0	7.5	25.6	16.2	6.5	29.6	19.3
37	-	-	-	7.1	23.1	11.0	7.0	25.6	16.2	6.1	29.6	19.3
38	-	-	-	6.7	23.1	11.0	6.6	25.6	16.2	5.7	29.6	19.3
39	-	-	-	-	-	-	6.3	25.6	16.2	5.4	29.6	19.3
40	-	-	-	-	-	-	5.9	25.6	16.2	5.1	29.6	19.3
41	-	-	-	-	-	-	5.6	25.6	16.2	4.9	29.6	19.3
42	-	-	-	-	-	-	5.3	25.6	16.2	4.6	29.6	19.3
43	-	-	-	-	-	-	4.5	27.4	13.5	4.4	29.6	19.3
44	-	-	-	-	-	-	4.3	27.4	13.5	4.2	29.6	19.3
45	-	-	-	-	-	-	4.1	27.4	13.5	4.0	29.6	19.3
46	-	-	-	-	-	-	-	-	-	3.8	29.6	19.3
47	-	-	-	-	-	-	-	-	-	3.6	29.6	19.3
48	-	-	-	-	-	-	-	-	-	3.4	29.6	19.3
49	-	-	-	-	-	-	-	-	-	3.3	29.6	19.3
50	-	-	-	-	-	-	-	-	-	2.8	31.7	16.0
51	-	-	-	-	-	-	-	-	-	2.7	31.7	16.0
52	-	-	-	-	-	-	-	-	-	2.6	31.7	16.0
53	-	-	-	-	-	-	-	-	-	-	-	-
54	-	-	-	-	-	-	-	-	-	-	-	-

Notes:

1. This estimating chart assumes that the brace top and bottom connections (i.e. panel or slab connection) are sufficient enough to achieve full brace capacity.
2. "S" indicates the maximum allowable horizontal spacing of the braces in feet.
3. "L" indicates the length of brace in feet.
4. "(V+Y)" indicates the vertical distance from the bottom of the panel to the brace insert in feet.
5. "X" indicates the horizontal distance from the face of the panel to the base of the brace in feet.

Estimated Allowable Panel Width (ft) Per Brace <sup>1</sup>																
Distance from bottom of panel to F.F. (Y) = 4.00 ft and Exposure Categories A, B and C																
Brace	B11 (Discontinued)				Superior 32			Superior 33 HD			B13 Discontinued			Superior 32+10		
	Brace Length "L"	25'-0" to 40'-0"				32'-0"			33'-0"			27'-0"			32'-0" w/ 10'-0" ext.	
Panel Height "H"	S <sup>2</sup>	L <sup>3</sup>	(V+Y) <sup>4</sup>	X <sup>5</sup>	S <sup>2</sup>	(V+Y) <sup>4</sup>	X <sup>5</sup>	S <sup>2</sup>	(V+Y) <sup>4</sup>	X <sup>5</sup>	S <sup>2</sup>	(V+Y) <sup>4</sup>	X <sup>5</sup>	S <sup>2</sup>	(V+Y) <sup>4</sup>	X <sup>5</sup>
22	-	-	-	-	-	-	-	-	-	-	-	-	-	-	-	-
23	-	-	-	-	-	-	-	-	-	-	-	-	-	-	-	-
24	19.0	25.5	22.0	18.0	-	-	-	-	-	-	-	-	-	-	-	-
25	19.0	25.5	22.0	18.0	-	-	-	-	-	-	19.0	23.1	19.1	-	-	-
26	19.0	25.5	24.4	15.3	-	-	-	-	-	-	19.0	23.1	19.1	-	-	-
27	19.0	25.5	24.4	15.3	-	-	-	-	-	-	19.0	23.1	19.1	-	-	-
28	19.0	25.5	24.4	15.3	-	-	-	-	-	-	19.0	25.6	16.2	-	-	-
29	19.0	25.5	24.4	15.3	19.0	26.6	22.6	19.0	27.3	23.3	19.0	25.6	16.2	-	-	-
30	19.0	25.5	24.4	15.3	19.0	26.6	22.6	19.0	27.3	23.3	19.0	25.6	16.2	-	-	-
31	19.0	27.0	25.6	16.2	19.0	26.6	22.6	19.0	27.3	23.3	19.0	25.6	16.2	-	-	-
32	19.0	29.0	27.2	17.5	19.0	29.6	19.3	19.0	30.4	19.9	18.2	25.6	16.2	-	-	-
33	19.0	31.0	28.8	18.7	19.0	29.6	19.3	19.0	30.4	19.9	17.0	25.6	16.2	-	-	-
34	19.0	34.0	31.2	20.5	18.4	29.6	19.3	18.9	30.4	19.9	15.9	25.6	16.2	-	-	-
35	19.0	36.0	32.8	21.7	17.2	29.6	19.3	17.7	30.4	19.9	14.9	25.6	16.2	-	-	-
36	19.0	39.0	31.6	27.6	16.2	29.6	19.3	16.6	30.4	19.9	14.0	25.6	16.2	12.5	33.7	29.7
37	18.1	39.0	35.1	23.5	15.2	29.6	19.3	15.7	30.4	19.9	13.2	25.6	16.2	11.8	33.7	29.7
38	17.5	40.0	35.9	24.1	14.4	29.6	19.3	14.8	30.4	19.9	12.4	25.6	16.2	11.1	33.7	29.7
39	16.5	40.0	35.9	24.1	13.6	29.6	19.3	13.9	30.4	19.9	11.7	25.6	16.2	10.5	33.7	29.7
40	15.6	40.0	35.9	24.1	12.8	29.6	19.3	13.2	30.4	19.9	11.1	25.6	16.2	9.4	37.5	25.3
41	14.8	40.0	35.9	24.1	12.1	29.6	19.3	12.5	30.4	19.9	10.5	25.6	16.2	8.9	37.5	25.3
42	14.0	40.0	35.9	24.1	11.5	29.6	19.3	11.8	30.4	19.9	10.0	25.6	16.2	8.5	37.5	25.3
43	13.3	40.0	35.9	24.1	10.9	29.6	19.3	11.2	30.4	19.9	8.4	27.4	13.5	8.0	37.5	25.3
44	12.6	40.0	35.9	24.1	10.4	29.6	19.3	10.7	30.4	19.9	8.0	27.4	13.5	7.6	37.5	25.3
45	12.0	40.0	35.9	24.1	9.9	29.6	19.3	10.2	30.4	19.9	7.6	27.4	13.5	7.3	37.5	25.3
46	11.5	40.0	35.9	24.1	9.4	29.6	19.3	9.7	30.4	19.9	-	-	-	6.9	37.5	25.3
47	10.9	40.0	35.9	24.1	9.0	29.6	19.3	9.2	30.4	19.9	-	-	-	6.6	37.5	25.3
48	10.4	40.0	35.9	24.1	8.6	29.6	19.3	8.8	30.4	19.9	-	-	-	6.3	37.5	25.3
49	10.0	40.0	35.9	24.1	8.2	29.6	19.3	8.4	30.4	19.9	-	-	-	6.0	37.5	25.3
50	9.5	40.0	35.9	24.1	7.0	31.7	16.0	8.0	30.4	19.9	-	-	-	5.7	37.5	25.3
51	9.1	40.0	35.9	24.1	6.7	31.7	16.0	6.9	32.6	16.5	-	-	-	5.5	37.5	25.3
52	8.7	40.0	35.9	24.1	6.4	31.7	16.0	6.6	32.6	16.5	-	-	-	5.3	37.5	25.3
53	8.4	40.0	35.9	24.1	-	-	-	6.3	32.6	16.5	-	-	-	5.1	37.5	25.3
54	8.0	40.0	35.9	24.1	-	-	-	6.1	32.6	16.5	-	-	-	4.8	37.5	25.3
55	7.7	40.0	35.9	24.1	-	-	-	-	-	-	-	-	-	4.7	37.5	25.3
56	7.4	40.0	35.9	24.1	-	-	-	-	-	-	-	-	-	4.5	37.5	25.3
57	7.1	40.0	35.9	24.1	-	-	-	-	-	-	-	-	-	4.3	37.5	25.3
58	6.9	40.0	35.9	24.1	-	-	-	-	-	-	-	-	-	4.1	37.5	25.3
59	6.6	40.0	35.9	24.1	-	-	-	-	-	-	-	-	-	4.0	37.5	25.3
60	5.7	40.0	38.6	20.0	-	-	-	-	-	-	-	-	-	3.8	37.5	25.3
61	5.5	40.0	38.6	20.0	-	-	-	-	-	-	-	-	-	3.7	37.5	25.3
62	5.3	40.0	38.6	20.0	-	-	-	-	-	-	-	-	-	3.6	37.5	25.3
63	5.1	40.0	38.6	20.0	-	-	-	-	-	-	-	-	-	3.1	40.4	21.0
64	4.9	40.0	38.6	20.0	-	-	-	-	-	-	-	-	-	3.0	40.4	21.0
65	-	-	-	-	-	-	-	-	-	-	-	-	-	2.9	40.4	21.0
66	-	-	-	-	-	-	-	-	-	-	-	-	-	2.8	40.4	21.0
67	-	-	-	-	-	-	-	-	-	-	-	-	-	2.7	40.4	21.0
68	-	-	-	-	-	-	-	-	-	-	-	-	-	-	-	-
69	-	-	-	-	-	-	-	-	-	-	-	-	-	-	-	-
70	-	-	-	-	-	-	-	-	-	-	-	-	-	-	-	-

- Notes:
1. This estimating chart assumes that the brace top and bottom connections (i.e. panel or slab connection) are sufficient enough to achieve full brace capacity.
  2. "S" indicates the maximum allowable horizontal spacing of the braces in feet.
  3. "L" indicates the length of brace in feet.
  4. "(V+Y)" indicates the vertical distance from the bottom of the panel to the brace insert in feet.
  5. "X" indicates the horizontal distance from the face of the panel to the base of the brace in feet.
  6. "MTO" indicates made to order, this is not a rentable item.

Estimated Allowable Panel Width (ft) per Brace <sup>1</sup>									
Distance from bottom of panel to F.F. = 4.00 ft and Exposure Categories A, B and C									
Brace	Superior 32+10+10			Superior 32+5			Superior 42		
Brace Length "L"	32'-0" w/ 20'-0" ext.			32'-0" w/ 5'-0" ext.			42'-0"		
Panel Height "H"	S <sup>2</sup>	(V+Y) <sup>4</sup>	X <sup>5</sup>	S <sup>2</sup>	(V+Y) <sup>4</sup>	X <sup>5</sup>	S <sup>3</sup>	(V+Y) <sup>5</sup>	X <sup>6</sup>
28	-	-	-	-	-	-	-	-	-
29	-	-	-	-	-	-	-	-	-
30	-	-	-	-	-	-	-	-	-
31	-	-	-	-	-	-	-	-	-
32	-	-	-	19.0	30.2	26.2	-	-	-
33	-	-	-	19.0	30.2	26.2	-	-	-
34	-	-	-	19.0	30.2	26.2	-	-	-
35	-	-	-	18.4	30.2	26.2	-	-	-
36	-	-	-	16.3	33.5	22.3	19.0	33.7	29.7
37	-	-	-	15.4	33.5	22.3	19.0	33.7	29.7
38	-	-	-	14.5	33.5	22.3	19.0	33.7	29.7
39	-	-	-	13.7	33.5	22.3	19.0	33.7	29.7
40	-	-	-	12.9	33.5	22.3	19.0	37.5	25.3
41	-	-	-	12.3	33.5	22.3	19.0	37.5	25.3
42	-	-	-	11.6	33.5	22.3	19.0	37.5	25.3
43	7.5	40.8	36.8	11.0	33.5	22.3	19.0	37.5	25.3
44	7.1	40.8	36.8	10.5	33.5	22.3	18.6	37.5	25.3
45	6.8	40.8	36.8	10.0	33.5	22.3	17.7	37.5	25.3
46	6.4	40.8	36.8	9.5	33.5	22.3	16.8	37.5	25.3
47	6.1	40.8	36.8	9.1	33.5	22.3	16.0	37.5	25.3
48	5.6	45.5	31.3	8.6	33.5	22.3	15.3	37.5	25.3
49	5.3	45.5	31.3	8.3	33.5	22.3	14.6	37.5	25.3
50	5.1	45.5	31.3	7.9	33.5	22.3	14.0	37.5	25.3
51	4.9	45.5	31.3	7.6	33.5	22.3	13.4	37.5	25.3
52	4.7	45.5	31.3	7.2	33.5	22.3	12.8	37.5	25.3
53	4.5	45.5	31.3	6.9	33.5	22.3	12.3	37.5	25.3
54	4.3	45.5	31.3	6.7	33.5	22.3	11.8	37.5	25.3
55	4.1	45.5	31.3	6.4	33.5	22.3	11.3	37.5	25.3
56	4.0	45.5	31.3	5.5	36.0	18.5	10.9	37.5	25.3
57	3.8	45.5	31.3	5.3	36.0	18.5	10.5	37.5	25.3
58	3.7	45.5	31.3	5.1	36.0	18.5	10.1	37.5	25.3
59	3.5	45.5	31.3	4.9	36.0	18.5	9.7	37.5	25.3
60	3.4	45.5	31.3	4.7	36.0	18.5	9.4	37.5	25.3
61	3.3	45.5	31.3	-	-	-	9.0	37.5	25.3
62	3.2	45.5	31.3	-	-	-	8.7	37.5	25.3
63	3.1	45.5	31.3	-	-	-	7.5	40.4	21.0
64	3.0	45.5	31.3	-	-	-	7.2	40.4	21.0
65	2.9	45.5	31.3	-	-	-	7.0	40.4	21.0
66	2.8	45.5	31.3	-	-	-	6.8	40.4	21.0
67	2.7	45.5	31.3	-	-	-	6.5	40.4	21.0
68	2.6	45.5	31.3	-	-	-	-	-	-
69	2.5	45.5	31.3	-	-	-	-	-	-
70	2.4	45.5	31.3	-	-	-	-	-	-
71	2.3	45.5	31.3	-	-	-	-	-	-
72	2.3	45.5	31.3	-	-	-	-	-	-
73	2.2	45.5	31.3	-	-	-	-	-	-
74	2.1	45.5	31.3	-	-	-	-	-	-
75	2.1	45.5	31.3	-	-	-	-	-	-
76	1.8	49.0	26.0	-	-	-	-	-	-
77	1.8	49.0	26.0	-	-	-	-	-	-
78	1.7	49.0	26.0	-	-	-	-	-	-
79	1.7	49.0	26.0	-	-	-	-	-	-
80	1.6	49.0	26.0	-	-	-	-	-	-
81	1.6	49.0	26.0	-	-	-	-	-	-
82	-	-	-	-	-	-	-	-	-
83	-	-	-	-	-	-	-	-	-
84	-	-	-	-	-	-	-	-	-
85	-	-	-	-	-	-	-	-	-
86	-	-	-	-	-	-	-	-	-
87	-	-	-	-	-	-	-	-	-
88	-	-	-	-	-	-	-	-	-
89	-	-	-	-	-	-	-	-	-
90	-	-	-	-	-	-	-	-	-
91	-	-	-	-	-	-	-	-	-
92	-	-	-	-	-	-	-	-	-
93	-	-	-	-	-	-	-	-	-
94	-	-	-	-	-	-	-	-	-
95	-	-	-	-	-	-	-	-	-
96	-	-	-	-	-	-	-	-	-
97	-	-	-	-	-	-	-	-	-

Notes:

1. This estimating chart assumes that the brace top and bottom connections (i.e. panel or slab connection) are sufficient enough to achieve full brace capacity.
2. "S" indicates the maximum allowable horizontal spacing of the braces in feet.
3. "L" indicates the length of brace in feet.
4. "(V+Y)" indicates the vertical distance from the bottom of the panel to the brace insert in feet.
5. "X" indicates the horizontal distance from the face of the panel to the base of the brace in feet.

Estimated Allowable Panel Width (ft) per Brace <sup>1</sup>									
Distance from bottom of panel to F.F. = 4.00 ft and Exposure Categories A, B and C									
Brace	Superior 42+10			Superior 52			Superior 62		
Brace Length "L"	42'-0" w/ 10'-0" ext.			52'-0"			62'-0"		
Panel Height "H"	S <sup>3</sup>	(V+Y) <sup>5</sup>	X <sup>6</sup>	S <sup>2</sup>	(V+Y) <sup>4</sup>	X <sup>5</sup>	S <sup>2</sup>	(V+Y) <sup>4</sup>	X <sup>5</sup>
28	-	-	-	-	-	-	-	-	-
29	-	-	-	-	-	-	-	-	-
30	-	-	-	-	-	-	-	-	-
31	-	-	-	-	-	-	-	-	-
32	-	-	-	-	-	-	-	-	-
33	-	-	-	-	-	-	-	-	-
34	-	-	-	-	-	-	-	-	-
35	-	-	-	-	-	-	-	-	-
36	-	-	-	-	-	-	-	-	-
37	-	-	-	-	-	-	-	-	-
38	-	-	-	-	-	-	-	-	-
39	-	-	-	-	-	-	-	-	-
40	-	-	-	-	-	-	-	-	-
41	-	-	-	-	-	-	-	-	-
42	-	-	-	-	-	-	-	-	-
43	15.7	40.8	36.8	19.0	40.8	36.8	-	-	-
44	15.0	40.8	36.8	19.0	40.8	36.8	-	-	-
45	14.2	40.8	36.8	19.0	40.8	36.8	-	-	-
46	13.6	40.8	36.8	19.0	40.8	36.8	-	-	-
47	12.9	40.8	36.8	19.0	40.8	36.8	-	-	-
48	11.7	45.5	31.3	18.8	45.5	31.3	-	-	-
49	11.2	45.5	31.3	17.9	45.5	31.3	-	-	-
50	10.7	45.5	31.3	17.2	45.5	31.3	18.8	47.8	43.8
51	10.3	45.5	31.3	16.4	45.5	31.3	18.0	47.8	43.8
52	9.8	45.5	31.3	15.7	45.5	31.3	17.2	47.8	43.8
53	9.4	45.5	31.3	15.1	45.5	31.3	16.5	47.8	43.8
54	9.0	45.5	31.3	14.5	45.5	31.3	15.8	47.8	43.8
55	8.7	45.5	31.3	13.9	45.5	31.3	15.2	47.8	43.8
56	8.3	45.5	31.3	13.4	45.5	31.3	13.9	53.5	37.3
57	8.0	45.5	31.3	12.8	45.5	31.3	13.4	53.5	37.3
58	7.7	45.5	31.3	12.4	45.5	31.3	12.9	53.5	37.3
59	7.4	45.5	31.3	11.9	45.5	31.3	12.4	53.5	37.3
60	7.2	45.5	31.3	11.5	45.5	31.3	11.9	53.5	37.3
61	6.9	45.5	31.3	11.1	45.5	31.3	11.5	53.5	37.3
62	6.7	45.5	31.3	10.7	45.5	31.3	11.1	53.5	37.3
63	6.4	45.5	31.3	10.3	45.5	31.3	10.7	53.5	37.3
64	6.2	45.5	31.3	9.9	45.5	31.3	10.3	53.5	37.3
65	6.0	45.5	31.3	9.6	45.5	31.3	10.0	53.5	37.3
66	5.8	45.5	31.3	9.3	45.5	31.3	9.7	53.5	37.3
67	5.6	45.5	31.3	9.0	45.5	31.3	9.4	53.5	37.3
68	5.4	45.5	31.3	8.7	45.5	31.3	9.0	53.5	37.3
69	5.3	45.5	31.3	8.4	45.5	31.3	8.8	53.5	37.3
70	5.1	45.5	31.3	8.2	45.5	31.3	8.5	53.5	37.3
71	4.9	45.5	31.3	7.9	45.5	31.3	8.2	53.5	37.3
72	4.8	45.5	31.3	7.7	45.5	31.3	8.0	53.5	37.3
73	4.6	45.5	31.3	7.4	45.5	31.3	7.7	53.5	37.3
74	4.5	45.5	31.3	7.2	45.5	31.3	7.5	53.5	37.3
75	4.4	45.5	31.3	7.0	45.5	31.3	7.3	53.5	37.3
76	3.8	49.0	26.0	6.1	49.0	26.0	7.1	53.5	37.3
77	3.7	49.0	26.0	5.9	49.0	26.0	6.9	53.5	37.3
78	3.6	49.0	26.0	5.7	49.0	26.0	6.7	53.5	37.3
79	3.5	49.0	26.0	5.6	49.0	26.0	6.5	53.5	37.3
80	3.4	49.0	26.0	5.4	49.0	26.0	6.3	53.5	37.3
81	3.3	49.0	26.0	5.3	49.0	26.0	6.1	53.5	37.3
82	-	-	-	-	-	-	6.0	53.5	37.3
83	-	-	-	-	-	-	5.8	53.5	37.3
84	-	-	-	-	-	-	5.7	53.5	37.3
85	-	-	-	-	-	-	5.5	53.5	37.3
86	-	-	-	-	-	-	5.4	53.5	37.3
87	-	-	-	-	-	-	5.2	53.5	37.3
88	-	-	-	-	-	-	5.1	53.5	37.3
89	-	-	-	-	-	-	5.0	53.5	37.3
90	-	-	-	-	-	-	4.4	57.7	31.0
91	-	-	-	-	-	-	4.3	57.7	31.0
92	-	-	-	-	-	-	4.2	57.7	31.0
93	-	-	-	-	-	-	4.1	57.7	31.0
94	-	-	-	-	-	-	4.0	57.7	31.0
95	-	-	-	-	-	-	3.9	57.7	31.0
96	-	-	-	-	-	-	3.8	57.7	31.0
97	-	-	-	-	-	-	-	-	-

Notes:

1. This estimating chart assumes that the brace top and bottom connections (i.e. panel or slab connection) are sufficient enough to achieve full brace capacity.
2. "S" indicates the maximum allowable horizontal spacing of the braces in feet.
3. "L" indicates the length of brace in feet.
4. "(V+Y)" indicates the vertical distance from the bottom of the panel to the brace insert in feet.
5. "X" indicates the horizontal distance from the face of the panel to the base of the brace in feet.

Estimated Allowable Panel Width (ft) Per Brace <sup>1</sup>												
Distance from bottom of panel to F.F. (Y) = 5.00 ft and Exposure Categories A, B and C												
Brace	Superior 8-14				Superior 14-23				Superior 22-30			
Brace Length "L"	8'-0" to 14'-0"				14'-6" to 23'-6"				22'-6" to 29'-0"			
Panel Height "H"	S <sup>2</sup>	L <sup>3</sup>	(V+Y) <sup>4</sup>	X <sup>5</sup>	S <sup>2</sup>	L <sup>3</sup>	(V+Y) <sup>4</sup>	X <sup>5</sup>	S <sup>2</sup>	L <sup>3</sup>	(V+Y) <sup>4</sup>	X <sup>5</sup>
8	-	-	-	-	-	-	-	-	-	-	-	-
9	-	-	-	-	-	-	-	-	-	-	-	-
10	-	-	-	-	-	-	-	-	-	-	-	-
11	-	-	-	-	-	-	-	-	-	-	-	-
12	19.0	7.5	10.3	5.3	-	-	-	-	-	-	-	-
13	19.0	7.5	11.0	4.5	-	-	-	-	-	-	-	-
14	19.0	7.5	11.0	4.5	-	-	-	-	-	-	-	-
15	19.0	7.5	11.0	4.5	-	-	-	-	-	-	-	-
16	19.0	7.5	11.0	4.5	-	-	-	-	-	-	-	-
17	19.0	7.5	11.0	4.5	-	-	-	-	-	-	-	-
18	19.0	7.5	11.0	4.5	19.0	15.0	15.6	10.6	-	-	-	-
19	19.0	9.1	12.3	5.5	19.0	15.0	17.0	9.0	-	-	-	-
20	19.0	10.8	13.6	6.5	19.0	15.0	17.0	9.0	-	-	-	-
21	17.6	10.8	13.6	6.5	19.0	15.0	17.0	9.0	-	-	-	-
22	15.8	10.8	13.6	6.5	19.0	15.0	17.0	9.0	-	-	-	-
23	12.3	11.7	14.3	7.0	19.0	16.7	18.3	10.0	19.0	22.5	20.9	15.9
24	9.9	12.4	14.9	7.5	17.8	16.7	18.3	10.0	19.0	22.5	20.9	15.9
25	8.0	13.3	15.6	8.0	16.2	16.7	18.3	10.0	18.7	22.5	23.0	13.5
26	7.3	12.4	15.8	6.2	14.9	16.7	18.3	10.0	17.1	22.5	23.0	13.5
27	5.9	13.3	16.5	6.6	13.7	16.7	18.3	10.0	15.8	22.5	23.0	13.5
28	-	-	-	-	12.6	16.7	18.3	10.0	14.6	22.5	23.0	13.5
29	-	-	-	-	11.7	16.7	18.3	10.0	13.5	22.5	23.0	13.5
30	-	-	-	-	10.8	16.7	18.3	10.0	12.5	22.5	23.0	13.5
31	-	-	-	-	9.5	17.5	19.0	10.5	11.6	22.5	23.0	13.5
32	-	-	-	-	7.4	18.3	19.6	11.0	10.8	22.5	23.0	13.5
33	-	-	-	-	5.9	19.2	20.3	11.5	10.1	22.5	23.0	13.5
34	-	-	-	-	5.2	20.0	21.0	12.0	9.5	22.5	23.0	13.5
35	-	-	-	-	3.6	21.7	22.3	13.0	8.9	22.5	23.0	13.5
36	-	-	-	-	3.4	21.7	22.3	13.0	8.4	22.5	23.0	13.5
37	-	-	-	-	3.2	21.7	22.3	13.0	7.9	22.5	23.0	13.5
38	-	-	-	-	2.8	22.5	23.0	13.5	7.4	22.5	23.0	13.5
39	-	-	-	-	2.3	23.3	23.6	14.0	6.4	23.3	23.6	14.0
40	-	-	-	-	2.0	23.3	25.2	11.7	5.6	24.2	24.3	14.5
41	-	-	-	-	1.9	23.3	25.2	11.7	4.8	25.0	25.0	15.0
42	-	-	-	-	1.8	23.3	25.2	11.7	3.8	25.8	25.6	15.5
43	-	-	-	-	-	-	-	-	3.1	26.7	26.3	16.0
44	-	-	-	-	-	-	-	-	2.7	27.5	27.0	16.5
45	-	-	-	-	-	-	-	-	2.2	28.3	27.6	17.1
46	-	-	-	-	-	-	-	-	2.1	28.3	27.6	17.1
47	-	-	-	-	-	-	-	-	1.7	29.2	28.3	17.6
48	-	-	-	-	-	-	-	-	1.5	30.0	29.0	18.1
49	-	-	-	-	-	-	-	-	1.2	30.8	29.6	18.6
50	-	-	-	-	-	-	-	-	1.0	30.8	31.7	15.4
51	-	-	-	-	-	-	-	-	1.0	30.8	31.7	15.4
52	-	-	-	-	-	-	-	-	1.0	30.8	31.7	15.4
53	-	-	-	-	-	-	-	-	-	-	-	-
54	-	-	-	-	-	-	-	-	-	-	-	-

Notes:

1. This estimating chart assumes that the brace top and bottom connections (i.e. panel or slab connection) are sufficient enough to achieve full brace capacity.
2. "S" indicates the maximum allowable horizontal spacing of the braces in feet.
3. "L" indicates the length of brace in feet.
4. "(V+Y)" indicates the vertical distance from the bottom of the panel to the brace insert in feet.
5. "X" indicates the horizontal distance from the face of the panel to the base of the brace in feet.

Estimated Allowable Panel Width (ft) Per Brace <sup>1</sup>												
Distance from bottom of panel to F.F. (Y) = 5.00 ft and Exposure Categories A, B and C												
Brace	Superior 17			Superior 22			Superior 22+5			Superior 22+10		
Brace Length "L"	17'-0"			22'-0"			22'-0" w/ 5'-0" ext.			22'-0" w/ 10'-0" ext.		
Panel Height "H"	S <sup>2</sup>	(V+Y) <sup>4</sup>	X <sup>5</sup>	S <sup>2</sup>	(V+Y) <sup>4</sup>	X <sup>5</sup>	S <sup>2</sup>	(V+Y) <sup>4</sup>	X <sup>5</sup>	S <sup>2</sup>	(V+Y) <sup>4</sup>	X <sup>5</sup>
8	-	-	-	-	-	-	-	-	-	-	-	-
9	-	-	-	-	-	-	-	-	-	-	-	-
10	-	-	-	-	-	-	-	-	-	-	-	-
11	-	-	-	-	-	-	-	-	-	-	-	-
12	-	-	-	-	-	-	-	-	-	-	-	-
13	-	-	-	-	-	-	-	-	-	-	-	-
14	-	-	-	-	-	-	-	-	-	-	-	-
15	-	-	-	-	-	-	-	-	-	-	-	-
16	-	-	-	-	-	-	-	-	-	-	-	-
17	-	-	-	-	-	-	-	-	-	-	-	-
18	-	-	-	-	-	-	-	-	-	-	-	-
19	<b>19.0</b>	17.0	12.0	-	-	-	-	-	-	-	-	-
20	<b>19.0</b>	17.0	12.0	-	-	-	-	-	-	-	-	-
21	<b>19.0</b>	18.6	10.2	-	-	-	-	-	-	-	-	-
22	<b>19.0</b>	18.6	10.2	-	-	-	-	-	-	-	-	-
23	<b>19.0</b>	18.6	10.2	<b>19.0</b>	20.6	15.6	-	-	-	-	-	-
24	<b>19.0</b>	18.6	10.2	<b>19.0</b>	20.6	15.6	-	-	-	-	-	-
25	<b>19.0</b>	18.6	10.2	<b>19.0</b>	22.6	13.2	-	-	-	-	-	-
26	<b>19.0</b>	18.6	10.2	<b>18.3</b>	22.6	13.2	<b>17.0</b>	24.1	19.1	-	-	-
27	<b>18.6</b>	18.6	10.2	<b>16.9</b>	22.6	13.2	<b>15.6</b>	24.1	19.1	-	-	-
28	<b>17.1</b>	18.6	10.2	<b>15.6</b>	22.6	13.2	<b>14.4</b>	24.1	19.1	-	-	-
29	<b>15.9</b>	18.6	10.2	<b>14.4</b>	22.6	13.2	<b>12.5</b>	26.6	16.2	-	-	-
30	<b>14.7</b>	18.6	10.2	<b>13.4</b>	22.6	13.2	<b>11.6</b>	26.6	16.2	<b>10.6</b>	27.6	22.6
31	<b>12.1</b>	19.7	8.5	<b>12.4</b>	22.6	13.2	<b>10.8</b>	26.6	16.2	<b>9.9</b>	27.6	22.6
32	<b>11.3</b>	19.7	8.5	<b>11.6</b>	22.6	13.2	<b>10.1</b>	26.6	16.2	<b>9.2</b>	27.6	22.6
33	-	-	-	<b>10.8</b>	22.6	13.2	<b>9.4</b>	26.6	16.2	<b>8.1</b>	30.6	19.3
34	-	-	-	<b>10.1</b>	22.6	13.2	<b>8.8</b>	26.6	16.2	<b>7.6</b>	30.6	19.3
35	-	-	-	<b>9.5</b>	22.6	13.2	<b>8.3</b>	26.6	16.2	<b>7.1</b>	30.6	19.3
36	-	-	-	<b>8.9</b>	22.6	13.2	<b>7.8</b>	26.6	16.2	<b>6.7</b>	30.6	19.3
37	-	-	-	<b>8.4</b>	22.6	13.2	<b>7.3</b>	26.6	16.2	<b>6.3</b>	30.6	19.3
38	-	-	-	<b>7.0</b>	24.1	11.0	<b>6.9</b>	26.6	16.2	<b>5.9</b>	30.6	19.3
39	-	-	-	<b>6.6</b>	24.1	11.0	<b>6.5</b>	26.6	16.2	<b>5.6</b>	30.6	19.3
40	-	-	-	<b>6.3</b>	24.1	11.0	<b>6.1</b>	26.6	16.2	<b>5.3</b>	30.6	19.3
41	-	-	-	-	-	-	<b>5.8</b>	26.6	16.2	<b>5.0</b>	30.6	19.3
42	-	-	-	-	-	-	<b>5.5</b>	26.6	16.2	<b>4.8</b>	30.6	19.3
43	-	-	-	-	-	-	<b>5.2</b>	26.6	16.2	<b>4.5</b>	30.6	19.3
44	-	-	-	-	-	-	<b>5.0</b>	26.6	16.2	<b>4.3</b>	30.6	19.3
45	-	-	-	-	-	-	<b>4.2</b>	28.4	13.5	<b>4.1</b>	30.6	19.3
46	-	-	-	-	-	-	<b>4.0</b>	28.4	13.5	<b>3.9</b>	30.6	19.3
47	-	-	-	-	-	-	<b>3.8</b>	28.4	13.5	<b>3.7</b>	30.6	19.3
48	-	-	-	-	-	-	-	-	-	<b>3.5</b>	30.6	19.3
49	-	-	-	-	-	-	-	-	-	<b>3.4</b>	30.6	19.3
50	-	-	-	-	-	-	-	-	-	<b>3.2</b>	30.6	19.3
51	-	-	-	-	-	-	-	-	-	<b>2.8</b>	32.7	16.0
52	-	-	-	-	-	-	-	-	-	<b>2.6</b>	32.7	16.0
53	-	-	-	-	-	-	-	-	-	<b>2.5</b>	32.7	16.0
54	-	-	-	-	-	-	-	-	-	<b>2.4</b>	32.7	16.0

Notes:

1. This estimating chart assumes that the brace top and bottom connections (i.e. panel or slab connection) are sufficient enough to achieve full brace capacity.
2. "S" indicates the maximum allowable horizontal spacing of the braces in feet.
3. "L" indicates the length of brace in feet.
4. "(V+Y)" indicates the vertical distance from the bottom of the panel to the brace insert in feet.
5. "X" indicates the horizontal distance from the face of the panel to the base of the brace in feet.

Estimated Allowable Panel Width (ft) Per Brace <sup>1</sup>																
Distance from bottom of panel to F.F. (Y) = 5.00 ft and Exposure Categories A, B and C																
Brace Length "L"	B11 (Discontinued) 25'-0" to 40'-0"				Superior 32 32'-0"			Superior 33 HD 33'-0"			B13 Discontinued 27'-0"			Superior 32+10 32'-0" w/ 10'-0" ext.		
	S <sup>2</sup>	L <sup>3</sup>	(V+Y) <sup>4</sup>	X <sup>5</sup>	S <sup>2</sup>	(V+Y) <sup>4</sup>	X <sup>5</sup>	S <sup>2</sup>	(V+Y) <sup>4</sup>	X <sup>5</sup>	S <sup>2</sup>	(V+Y) <sup>4</sup>	X <sup>5</sup>	S <sup>2</sup>	(V+Y) <sup>4</sup>	X <sup>5</sup>
Panel Height "H"																
22	-	-	-	-	-	-	-	-	-	-	-	-	-	-	-	-
23	-	-	-	-	-	-	-	-	-	-	-	-	-	-	-	-
24	-	-	-	-	-	-	-	-	-	-	-	-	-	-	-	-
25	19.0	25.5	23.0	18.0	-	-	-	-	-	-	-	-	-	-	-	-
26	19.0	25.5	23.0	18.0	-	-	-	-	-	-	19.0	24.1	19.1	-	-	-
27	19.0	25.5	25.4	15.3	-	-	-	-	-	-	19.0	24.1	19.1	-	-	-
28	19.0	25.5	25.4	15.3	-	-	-	-	-	-	19.0	24.1	19.1	-	-	-
29	19.0	25.5	25.4	15.3	-	-	-	-	-	-	19.0	26.6	16.2	-	-	-
30	19.0	25.5	25.4	15.3	19.0	27.6	22.6	19.0	28.3	23.3	19.0	26.6	16.2	-	-	-
31	19.0	25.5	25.4	15.3	19.0	27.6	22.6	19.0	28.3	23.3	19.0	26.6	16.2	-	-	-
32	19.0	28.0	27.4	16.9	19.0	27.6	22.6	19.0	28.3	23.3	18.9	26.6	16.2	-	-	-
33	19.0	30.0	29.0	18.1	19.0	30.6	19.3	19.0	31.4	19.9	17.6	26.6	16.2	-	-	-
34	19.0	34.0	32.2	20.5	19.0	30.6	19.3	19.0	31.4	19.9	16.5	26.6	16.2	-	-	-
35	19.0	35.0	33.0	21.1	17.8	30.6	19.3	18.3	31.4	19.9	15.5	26.6	16.2	-	-	-
36	19.0	37.0	31.2	26.2	16.7	30.6	19.3	17.2	31.4	19.9	14.6	26.6	16.2	-	-	-
37	19.0	39.0	32.6	27.6	15.8	30.6	19.3	16.2	31.4	19.9	13.7	26.6	16.2	12.1	34.7	29.7
38	17.6	39.0	36.1	23.5	14.9	30.6	19.3	15.2	31.4	19.9	12.9	26.6	16.2	11.4	34.7	29.7
39	17.0	40.0	36.9	24.1	14.0	30.6	19.3	14.4	31.4	19.9	12.2	26.6	16.2	10.8	34.7	29.7
40	16.0	40.0	36.9	24.1	13.3	30.6	19.3	13.6	31.4	19.9	11.5	26.6	16.2	10.2	34.7	29.7
41	15.2	40.0	36.9	24.1	12.6	30.6	19.3	12.9	31.4	19.9	10.9	26.6	16.2	9.2	38.5	25.3
42	14.4	40.0	36.9	24.1	11.9	30.6	19.3	12.2	31.4	19.9	10.3	26.6	16.2	8.7	38.5	25.3
43	13.7	40.0	36.9	24.1	11.3	30.6	19.3	11.6	31.4	19.9	9.8	26.6	16.2	8.2	38.5	25.3
44	13.0	40.0	36.9	24.1	10.7	30.6	19.3	11.0	31.4	19.9	9.3	26.6	16.2	7.8	38.5	25.3
45	12.4	40.0	36.9	24.1	10.2	30.6	19.3	10.5	31.4	19.9	7.9	28.4	13.5	7.4	38.5	25.3
46	11.8	40.0	36.9	24.1	9.7	30.6	19.3	10.0	31.4	19.9	7.5	28.4	13.5	7.1	38.5	25.3
47	11.2	40.0	36.9	24.1	9.3	30.6	19.3	9.5	31.4	19.9	7.2	28.4	13.5	6.8	38.5	25.3
48	10.7	40.0	36.9	24.1	8.9	30.6	19.3	9.1	31.4	19.9	-	-	-	6.5	38.5	25.3
49	10.2	40.0	36.9	24.1	8.5	30.6	19.3	8.7	31.4	19.9	-	-	-	6.2	38.5	25.3
50	9.8	40.0	36.9	24.1	8.1	30.6	19.3	8.3	31.4	19.9	-	-	-	5.9	38.5	25.3
51	9.4	40.0	36.9	24.1	6.9	32.7	16.0	8.0	31.4	19.9	-	-	-	5.6	38.5	25.3
52	9.0	40.0	36.9	24.1	6.6	32.7	16.0	7.6	31.4	19.9	-	-	-	5.4	38.5	25.3
53	8.6	40.0	36.9	24.1	6.3	32.7	16.0	6.5	33.6	16.5	-	-	-	5.2	38.5	25.3
54	8.3	40.0	36.9	24.1	6.1	32.7	16.0	6.2	33.6	16.5	-	-	-	5.0	38.5	25.3
55	7.9	40.0	36.9	24.1	-	-	-	6.0	33.6	16.5	-	-	-	4.8	38.5	25.3
56	7.6	40.0	36.9	24.1	-	-	-	-	-	-	-	-	-	4.6	38.5	25.3
57	7.3	40.0	36.9	24.1	-	-	-	-	-	-	-	-	-	4.4	38.5	25.3
58	7.1	40.0	36.9	24.1	-	-	-	-	-	-	-	-	-	4.3	38.5	25.3
59	6.8	40.0	36.9	24.1	-	-	-	-	-	-	-	-	-	4.1	38.5	25.3
60	6.5	40.0	36.9	24.1	-	-	-	-	-	-	-	-	-	3.9	38.5	25.3
61	6.3	40.0	36.9	24.1	-	-	-	-	-	-	-	-	-	3.8	38.5	25.3
62	5.4	40.0	39.6	20.0	-	-	-	-	-	-	-	-	-	3.7	38.5	25.3
63	5.2	40.0	39.6	20.0	-	-	-	-	-	-	-	-	-	3.5	38.5	25.3
64	5.1	40.0	39.6	20.0	-	-	-	-	-	-	-	-	-	3.4	38.5	25.3
65	4.9	40.0	39.6	20.0	-	-	-	-	-	-	-	-	-	2.9	41.4	21.0
66	4.7	40.0	39.6	20.0	-	-	-	-	-	-	-	-	-	2.8	41.4	21.0
67	-	-	-	-	-	-	-	-	-	-	-	-	-	2.8	41.4	21.0
68	-	-	-	-	-	-	-	-	-	-	-	-	-	2.7	41.4	21.0
69	-	-	-	-	-	-	-	-	-	-	-	-	-	-	-	-
70	-	-	-	-	-	-	-	-	-	-	-	-	-	-	-	-

Notes:

1. This estimating chart assumes that the brace top and bottom connections (i.e. panel or slab connection) are sufficient enough to achieve full brace capacity.
2. "S" indicates the maximum allowable horizontal spacing of the braces in feet.
3. "L" indicates the length of brace in feet.
4. "(V+Y)" indicates the vertical distance from the bottom of the panel to the brace insert in feet.
5. "X" indicates the horizontal distance from the face of the panel to the base of the brace in feet.
6. "MTO" indicates made to order, this is not a rentable item.

Estimated Allowable Panel Width (ft) per Brace <sup>1</sup>									
Distance from bottom of panel to F.F. = 5.00 ft and Exposure Categories A, B and C									
Brace Length "L"	Superior 32+10+10 32'-0" w/ 20'-0" ext.			Superior 32+5 32'-0" w/ 5'-0" ext.			Superior 42 42'-0"		
	S <sup>2</sup>	(V+Y) <sup>4</sup>	X <sup>5</sup>	S <sup>2</sup>	(V+Y) <sup>4</sup>	X <sup>5</sup>	S <sup>3</sup>	(V+Y) <sup>5</sup>	X <sup>6</sup>
28	-	-	-	-	-	-	-	-	-
29	-	-	-	-	-	-	-	-	-
30	-	-	-	-	-	-	-	-	-
31	-	-	-	-	-	-	-	-	-
32	-	-	-	-	-	-	-	-	-
33	-	-	-	19.0	31.2	26.2	-	-	-
34	-	-	-	19.0	31.2	26.2	-	-	-
35	-	-	-	19.0	31.2	26.2	-	-	-
36	-	-	-	17.8	31.2	26.2	-	-	-
37	-	-	-	15.8	34.5	22.3	19.0	34.7	29.7
38	-	-	-	14.9	34.5	22.3	19.0	34.7	29.7
39	-	-	-	14.1	34.5	22.3	19.0	34.7	29.7
40	-	-	-	13.3	34.5	22.3	19.0	34.7	29.7
41	-	-	-	12.6	34.5	22.3	19.0	38.5	25.3
42	-	-	-	12.0	34.5	22.3	19.0	38.5	25.3
43	-	-	-	11.4	34.5	22.3	19.0	38.5	25.3
44	7.3	41.8	36.8	10.8	34.5	22.3	19.0	38.5	25.3
45	6.9	41.8	36.8	10.3	34.5	22.3	18.1	38.5	25.3
46	6.6	41.8	36.8	9.8	34.5	22.3	17.3	38.5	25.3
47	6.3	41.8	36.8	9.3	34.5	22.3	16.5	38.5	25.3
48	6.0	41.8	36.8	8.9	34.5	22.3	15.7	38.5	25.3
49	5.4	46.5	31.3	8.5	34.5	22.3	15.0	38.5	25.3
50	5.2	46.5	31.3	8.1	34.5	22.3	14.4	38.5	25.3
51	5.0	46.5	31.3	7.8	34.5	22.3	13.8	38.5	25.3
52	4.8	46.5	31.3	7.5	34.5	22.3	13.2	38.5	25.3
53	4.6	46.5	31.3	7.2	34.5	22.3	12.6	38.5	25.3
54	4.4	46.5	31.3	6.9	34.5	22.3	12.1	38.5	25.3
55	4.2	46.5	31.3	6.6	34.5	22.3	11.6	38.5	25.3
56	4.1	46.5	31.3	6.3	34.5	22.3	11.2	38.5	25.3
57	3.9	46.5	31.3	6.1	34.5	22.3	10.8	38.5	25.3
58	3.7	46.5	31.3	5.2	37.0	18.5	10.3	38.5	25.3
59	3.6	46.5	31.3	5.0	37.0	18.5	10.0	38.5	25.3
60	3.5	46.5	31.3	4.8	37.0	18.5	9.6	38.5	25.3
61	3.4	46.5	31.3	4.7	37.0	18.5	9.3	38.5	25.3
62	3.2	46.5	31.3	-	-	-	8.9	38.5	25.3
63	3.1	46.5	31.3	-	-	-	8.6	38.5	25.3
64	3.0	46.5	31.3	-	-	-	8.3	38.5	25.3
65	2.9	46.5	31.3	-	-	-	7.2	41.4	21.0
66	2.8	46.5	31.3	-	-	-	6.9	41.4	21.0
67	2.7	46.5	31.3	-	-	-	6.7	41.4	21.0
68	2.6	46.5	31.3	-	-	-	6.5	41.4	21.0
69	2.6	46.5	31.3	-	-	-	-	-	-
70	2.5	46.5	31.3	-	-	-	-	-	-
71	2.4	46.5	31.3	-	-	-	-	-	-
72	2.3	46.5	31.3	-	-	-	-	-	-
73	2.3	46.5	31.3	-	-	-	-	-	-
74	2.2	46.5	31.3	-	-	-	-	-	-
75	2.1	46.5	31.3	-	-	-	-	-	-
76	2.1	46.5	31.3	-	-	-	-	-	-
77	2.0	46.5	31.3	-	-	-	-	-	-
78	1.7	50.0	26.0	-	-	-	-	-	-
79	1.7	50.0	26.0	-	-	-	-	-	-
80	1.6	50.0	26.0	-	-	-	-	-	-
81	1.6	50.0	26.0	-	-	-	-	-	-
82	1.6	50.0	26.0	-	-	-	-	-	-
83	1.5	50.0	26.0	-	-	-	-	-	-
84	-	-	-	-	-	-	-	-	-
85	-	-	-	-	-	-	-	-	-
86	-	-	-	-	-	-	-	-	-
87	-	-	-	-	-	-	-	-	-
88	-	-	-	-	-	-	-	-	-
89	-	-	-	-	-	-	-	-	-
90	-	-	-	-	-	-	-	-	-
91	-	-	-	-	-	-	-	-	-
92	-	-	-	-	-	-	-	-	-
93	-	-	-	-	-	-	-	-	-
94	-	-	-	-	-	-	-	-	-
95	-	-	-	-	-	-	-	-	-
96	-	-	-	-	-	-	-	-	-
97	-	-	-	-	-	-	-	-	-

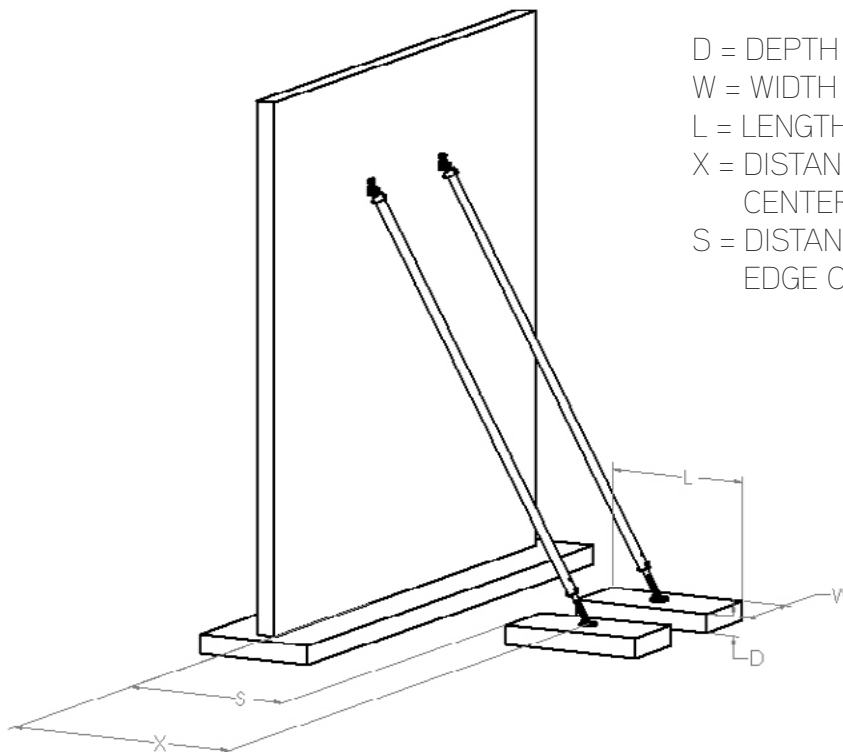
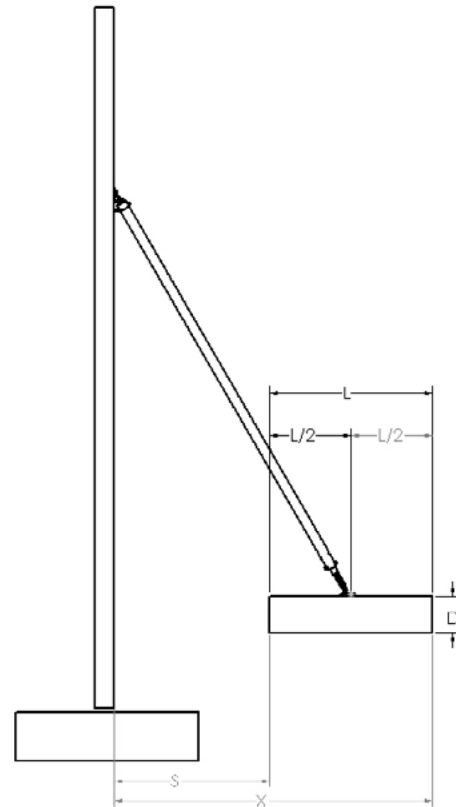
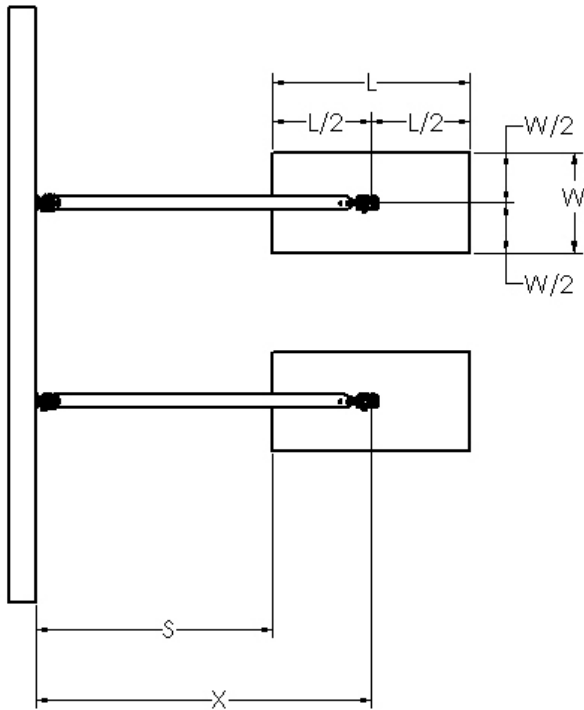
Notes:

1. This estimating chart assumes that the brace top and bottom connections (i.e. panel or slab connection) are sufficient enough to achieve full brace capacity.
2. "S" indicates the maximum allowable horizontal spacing of the braces in feet.
3. "L" indicates the length of brace in feet.
4. "(V+Y)" indicates the vertical distance from the bottom of the panel to the brace insert in feet.
5. "X" indicates the horizontal distance from the face of the panel to the base of the brace in feet.

Estimated Allowable Panel Width (ft) per Brace <sup>1</sup>									
Distance from bottom of panel to F.F. = 5.00 ft and Exposure Categories A, B and C									
Brace	Superior 42+10			Superior 52			Superior 62		
Brace Length "L"	42'-0" w/ 10'-0" ext.			52'-0"			62'-0"		
Panel Height "H"	S <sup>3</sup>	(V+Y) <sup>5</sup>	X <sup>6</sup>	S <sup>2</sup>	(V+Y) <sup>4</sup>	X <sup>5</sup>	S <sup>2</sup>	(V+Y) <sup>4</sup>	X <sup>5</sup>
28	-	-	-	-	-	-	-	-	-
29	-	-	-	-	-	-	-	-	-
30	-	-	-	-	-	-	-	-	-
31	-	-	-	-	-	-	-	-	-
32	-	-	-	-	-	-	-	-	-
33	-	-	-	-	-	-	-	-	-
34	-	-	-	-	-	-	-	-	-
35	-	-	-	-	-	-	-	-	-
36	-	-	-	-	-	-	-	-	-
37	-	-	-	-	-	-	-	-	-
38	-	-	-	-	-	-	-	-	-
39	-	-	-	-	-	-	-	-	-
40	-	-	-	-	-	-	-	-	-
41	-	-	-	-	-	-	-	-	-
42	-	-	-	-	-	-	-	-	-
43	-	-	-	-	-	-	-	-	-
44	15.3	41.8	36.8	19.0	41.8	36.8	-	-	-
45	14.6	41.8	36.8	19.0	41.8	36.8	-	-	-
46	13.9	41.8	36.8	19.0	41.8	36.8	-	-	-
47	13.3	41.8	36.8	19.0	41.8	36.8	-	-	-
48	12.7	41.8	36.8	19.0	41.8	36.8	-	-	-
49	11.5	46.5	31.3	18.3	46.5	31.3	-	-	-
50	11.0	46.5	31.3	17.5	46.5	31.3	-	-	-
51	10.5	46.5	31.3	16.8	46.5	31.3	18.3	48.8	43.8
52	10.0	46.5	31.3	16.1	46.5	31.3	17.6	48.8	43.8
53	9.6	46.5	31.3	15.4	46.5	31.3	16.8	48.8	43.8
54	9.2	46.5	31.3	14.8	46.5	31.3	16.2	48.8	43.8
55	8.9	46.5	31.3	14.2	46.5	31.3	15.5	48.8	43.8
56	8.5	46.5	31.3	13.6	46.5	31.3	14.9	48.8	43.8
57	8.2	46.5	31.3	13.1	46.5	31.3	13.6	54.5	37.3
58	7.9	46.5	31.3	12.6	46.5	31.3	13.1	54.5	37.3
59	7.6	46.5	31.3	12.2	46.5	31.3	12.6	54.5	37.3
60	7.3	46.5	31.3	11.7	46.5	31.3	12.2	54.5	37.3
61	7.1	46.5	31.3	11.3	46.5	31.3	11.7	54.5	37.3
62	6.8	46.5	31.3	10.9	46.5	31.3	11.3	54.5	37.3
63	6.6	46.5	31.3	10.5	46.5	31.3	10.9	54.5	37.3
64	6.4	46.5	31.3	10.2	46.5	31.3	10.5	54.5	37.3
65	6.1	46.5	31.3	9.8	46.5	31.3	10.2	54.5	37.3
66	5.9	46.5	31.3	9.5	46.5	31.3	9.8	54.5	37.3
67	5.7	46.5	31.3	9.2	46.5	31.3	9.5	54.5	37.3
68	5.6	46.5	31.3	8.9	46.5	31.3	9.2	54.5	37.3
69	5.4	46.5	31.3	8.6	46.5	31.3	8.9	54.5	37.3
70	5.2	46.5	31.3	8.3	46.5	31.3	8.6	54.5	37.3
71	5.0	46.5	31.3	8.1	46.5	31.3	8.4	54.5	37.3
72	4.9	46.5	31.3	7.8	46.5	31.3	8.1	54.5	37.3
73	4.7	46.5	31.3	7.6	46.5	31.3	7.9	54.5	37.3
74	4.6	46.5	31.3	7.4	46.5	31.3	7.6	54.5	37.3
75	4.5	46.5	31.3	7.2	46.5	31.3	7.4	54.5	37.3
76	4.3	46.5	31.3	6.9	46.5	31.3	7.2	54.5	37.3
77	4.2	46.5	31.3	6.8	46.5	31.3	7.0	54.5	37.3
78	3.7	50.0	26.0	5.9	50.0	26.0	6.8	54.5	37.3
79	3.6	50.0	26.0	5.7	50.0	26.0	6.6	54.5	37.3
80	3.5	50.0	26.0	5.5	50.0	26.0	6.4	54.5	37.3
81	3.4	50.0	26.0	5.4	50.0	26.0	6.3	54.5	37.3
82	3.3	50.0	26.0	5.2	50.0	26.0	6.1	54.5	37.3
83	3.2	50.0	26.0	5.1	50.0	26.0	5.9	54.5	37.3
84	-	-	-	-	-	-	5.8	54.5	37.3
85	-	-	-	-	-	-	5.6	54.5	37.3
86	-	-	-	-	-	-	5.5	54.5	37.3
87	-	-	-	-	-	-	5.3	54.5	37.3
88	-	-	-	-	-	-	5.2	54.5	37.3
89	-	-	-	-	-	-	5.1	54.5	37.3
90	-	-	-	-	-	-	5.0	54.5	37.3
91	-	-	-	-	-	-	4.3	58.7	31.0
92	-	-	-	-	-	-	4.2	58.7	31.0
93	-	-	-	-	-	-	4.1	58.7	31.0
94	-	-	-	-	-	-	4.0	58.7	31.0
95	-	-	-	-	-	-	3.9	58.7	31.0
96	-	-	-	-	-	-	3.8	58.7	31.0
97	-	-	-	-	-	-	3.8	58.7	31.0

Notes:

1. This estimating chart assumes that the brace top and bottom connections (i.e. panel or slab connection) are sufficient enough to achieve full brace capacity.
2. "S" indicates the maximum allowable horizontal spacing of the braces in feet.
3. "L" indicates the length of brace in feet.
4. "(V+Y)" indicates the vertical distance from the bottom of the panel to the brace insert in feet.
5. "X" indicates the horizontal distance from the face of the panel to the base of the brace in feet.



D = DEPTH OF DEADMAN  
 W = WIDTH OF DEADMAN  
 L = LENGTH OF DEADMAN  
 X = DISTANCE FROM FACE OF PANEL TO  
 CENTER OF DEADMAN/BRACE ATTACHMENT  
 S = DISTANCE FROM FACE OF PANEL TO  
 EDGE OF DEADMAN

Length of 3'-0" Deep Deadman at Standard Widths**						
Applied Brace Ultimate Load	Length of Deadman - L			Cubic Yard of Concrete		
	Width 2'-0"	Width 2'-6"	Width 3'-0"	Width 2'-0"	Width 2'-6"	Width 3'-0"
2000	2'-3"			0.5		
2500	2'-9"	2'-6"		0.6	0.7	
3000	3'-3"	3'-0"		0.7	0.8	
3500	3'-9"	3'-6"	3'-0"	0.8	1.0	1.0
4000	4'-3"	3'-9"	3'-6"	0.9	1.0	1.2
4500	4'-9"	4'-3"	3'-9"	1.1	1.2	1.3
5000	5'-3"	4'-9"	4'-3"	1.2	1.3	1.4
5500	6'-0"	5'-0"	4'-6"	1.3	1.4	1.5
6000	6'-6"	5'-6"	5'-0"	1.4	1.5	1.7
6500	7'-0"	6'-0"	5'-3"	1.6	1.7	1.8
7000	7'-6"	6'-3"	5'-6"	1.7	1.7	1.8
7500	8'-3"	6'-9"	6'-0"	1.8	1.9	2.0
8000	8'-9"	7'-3"	6'-3"	1.9	2.0	2.1
8500	9'-3"	7'-9"	6'-9"	2.1	2.2	2.3
9000	9'-9"	8'-3"	7'-0"	2.2	2.3	2.3
9500	10'-3"	8'-9"	7'-6"	2.3	2.4	2.5
10000	10'-9"	9'-0"	7'-9"	2.4	2.5	2.6
10500	11'-6"	9'-6"	8'-3"	2.6	2.6	2.8
11000	12'-0"	10'-0"	8'-6"	2.7	2.8	2.8
11500	12'-6"	10'-6"	9'-0"	2.8	2.9	3.0
12000	13'-0"	10'-9"	9'-3"	2.9	3.0	3.1
12500	13'-6"	11'-3"	9'-9"	3.0	3.1	3.3
13000	14'-0"	11'-9"	10'-0"	3.1	3.3	3.3
13500	14'-6"	12'-0"	10'-6"	3.2	3.3	3.5
14000	15'-0"	12'-6"	10'-9"	3.3	3.5	3.6
14500	15'-6"	13'-0"	11'-3"	3.4	3.6	3.8
15000	16'-0"	13'-6"	11'-6"	3.6	3.8	3.8
15500	16'-6"	13'-9"	12'-0"	3.7	3.8	4.0
16000	17'-0"	14'-3"	12'-3"	3.8	4.0	4.1
16500	17'-9"	14'-9"	12'-6"	3.9	4.1	4.2
17000	18'-3"	15'-0"	13'-0"	4.1	4.2	4.3
17500	18'-9"	15'-6"	13'-3"	4.2	4.3	4.4
18000	19'-3"	16'-0"	13'-9"	4.3	4.4	4.6
18500	19'-9"	16'-3"	14'-0"	4.4	4.5	4.7
19000	20'-3"	16'-9"	14'-3"	4.5	4.7	4.8

\*\*Table values based on the following assumptions:

Brace is placed at standard angle of 53 degrees

Deadman is cast in trench against roughened earth

No reinforcing is provided/needed for Deadman

Length of 3'-0" Deep Deadman at Standard Widths**									
Brace				Length of Deadman - L			Deadman Location - S		
ID	Length	X	Ultimate Capacity (lbs)	Width 2'-0"	Width 2'-6"	Width 3'-0"	Width 2'-0"	Width 2'-6"	Width 3'-0"
Superior 8-14	7'-6"	4'-6"	9750		8'-9"	7'-9"		0'-1 1/2"	0'-7 1/2"
Superior 8-14	7'-11"	4'-8"	9750		8'-9"	7'-9"		0'-3 1/2"	0'-9 1/2"
Superior 8-14	8'-4"	5'-0"	9750		8'-9"	7'-9"		0'-7 1/2"	1'-1 1/2"
Superior 8-14	8'-9"	5'-3"	9750	10'-6"	8'-9"	7'-9"	0'-0"	0'-10 1/2"	1'-4 1/2"
Superior 8-14	10'-0"	6'-0"	9750	10'-6"	8'-9"	7'-9"	0'-9"	1'-7 1/2"	2'-1 1/2"
Superior 8-14	10'-9"	6'-3"	9675	10'-6"	8'-9"	7'-6"	1'-0"	1'-10 1/2"	2'-6"
Superior 8-14	11'-8"	6'-9"	7838	8'-6"	7'-0"	6'-3"	2'-6"	3'-3"	3'-7 1/2"
Superior 8-14	12'-5"	7'-4"	6675	7'-3"	6'-0"	5'-3"	3'-8 1/2"	4'-4"	4'-8 1/2"
Superior 8-14	13'-3"	7'-9"	5625	6'-0"	5'-3"	4'-6"	4'-9"	5'-1 1/2"	5'-6"
Superior 14-23	15'-0"	9'-0"	9750	10'-6"	8'-9"	7'-9"	3'-9"	4'-7 1/2"	5'-1 1/2"
Superior 14-23	15'-10"	9'-6"	9750	10'-6"	8'-9"	7'-9"	4'-3"	5'-1 1/2"	5'-7 1/2"
Superior 14-23	16'-8"	10'-0"	9750	10'-6"	8'-9"	7'-9"	4'-9"	5'-7 1/2"	6'-1 1/2"
Superior 14-23	17'-6"	10'-6"	8888	9'-9"	8'-0"	7'-0"	5'-7 1/2"	6'-6"	7'-0"
Superior 14-23	18'-4"	11'-0"	7200	7'-9"	6'-6"	5'-9"	7'-1 1/2"	7'-9"	8'-1 1/2"
Superior 14-23	19'-2"	11'-6"	5888	6'-3"	5'-6"	4'-9"	8'-4 1/2"	8'-9"	9'-1 1/2"
Superior 14-23	20'-0"	12'-0"	5363	5'-9"	5'-0"	4'-6"	9'-1 1/2"	9'-6"	9'-9"
Superior 14-23	20'-10"	12'-6"	4463	4'-9"	4'-3"	3'-9"	10'-1 1/2"	10'-4 1/2"	10'-7 1/2"
Superior 14-23	21'-8"	13'-0"	3750	4'-0"	3'-6"	3'-3"	11'-0"	11'-3"	11'-4 1/2"
Superior 14-23	22'-6"	13'-6"	3413	3'-9"	3'-3"	3'-0"	11'-7 1/2"	11'-10 1/2"	12'-0"
Superior 14-23	23'-4"	14'-0"	2925	3'-3"	3'-0"	2'-9"	12'-4 1/2"	12'-6"	12'-7 1/2"
Superior 22-30	22'-6"	13'-6"	8963	9'-9"	8'-3"	7'-0"	8'-7 1/2"	9'-4 1/2"	10'-0"
Superior 22-30	23'-4"	14'-0"	7988	8'-9"	7'-3"	6'-3"	9'-7 1/2"	10'-4 1/2"	10'-10 1/2"
Superior 22-30	24'-2"	14'-6"	7200	7'-9"	6'-6"	5'-9"	10'-7 1/2"	11'-3"	11'-7 1/2"
Superior 22-30	25'-0"	15'-0"	6375	7'-0"	5'-9"	5'-3"	11'-6"	12'-1 1/2"	12'-4 1/2"
Superior 22-30	25'-10"	15'-6"	5175	5'-6"	4'-9"	4'-3"	12'-9"	13'-1 1/2"	13'-4 1/2"
Superior 22-30	26'-8"	16'-0"	4238	4'-6"	4'-0"	3'-9"	13'-9"	14'-0"	14'-1 1/2"
Superior 22-30	27'-6"	16'-6"	3825	4'-3"	3'-9"	3'-3"	14'-4 1/2"	14'-7 1/2"	14'-10 1/2"
Superior 22-30	28'-4"	17'-0"	3150	3'-6"	3'-0"	2'-9"	15'-3"	15'-6"	15'-7 1/2"
Superior 22-30	29'-2"	17'-6"	2625	3'-0"	2'-9"	2'-6"	16'-0"	16'-1 1/2"	16'-3"
Superior 22-30	30'-0"	18'-0"	2400	2'-9"	2'-6"	2'-3"	16'-7 1/2"	16'-9"	16'-10 1/2"
Superior 22-30	30'-10"	18'-6"	2025	2'-3"	2'-0"	2'-0"	17'-4 1/2"	17'-6"	17'-6"
Superior 17	17'-0"	10'-4"	13050	14'-0"	11'-9"	10'-0"	3'-4"	4'-5 1/2"	5'-4"
Superior 22	22'-0"	13'-4"	9750	10'-6"	8'-9"	7'-9"	8'-1"	8'-11 1/2"	9'-5 1/2"
Superior 22+5	27'-0"	16'-4"	7200	7'-9"	6'-6"	5'-9"	12'-5 1/2"	13'-1"	13'-5 1/2"
Superior 22+10	32'-0"	19'-4"	5400	5'-9"	5'-0"	4'-6"	16'-5 1/2"	16'-10"	17'-1"
Superior 32	32'-0"	19'-4"	13500	14'-6"	12'-0"	10'-6"	12'-1"	13'-4"	14'-1"
Superior 32+10	42'-0"	25'-4"	7800	8'-6"	7'-0"	6'-3"	21'-1"	21'-10"	22'-2 1/2"
Superior 32+10+10	52'-0"	31'-4"	5700	6'-3"	5'-3"	4'-9"	28'-2 1/2"	28'-8 1/2"	28'-11 1/2"
Superior 32+5	37'-0"	22'-4"	12000	13'-0"	10'-9"	9'-3"	15'-10"	16'-11 1/2"	17'-8 1/2"
Superior 33 HD	33'-0"	19'-11"	25000		21'-6"	18'-6"		9'-2"	10'-8"
Superior 42	42'-0"	25'-4"	19000	20'-3"	16'-9"	14'-3"	15'-2 1/2"	16'-11 1/2"	18'-2 1/2"
Superior 42+10	52'-0"	31'-4"	12000	13'-0"	10'-9"	9'-3"	24'-10"	25'-11 1/2"	26'-8 1/2"
Superior 52	52'-0"	31'-4"	19200	20'-3"	16'-9"	14'-6"	21'-2 1/2"	22'-11 1/2"	24'-1"
Superior 62	62'-0"	37'-4"	17000	18'-3"	15'-0"	13'-0"	28'-2 1/2"	29'-10"	30'-10"

\*\*Table values based on the following assumptions:

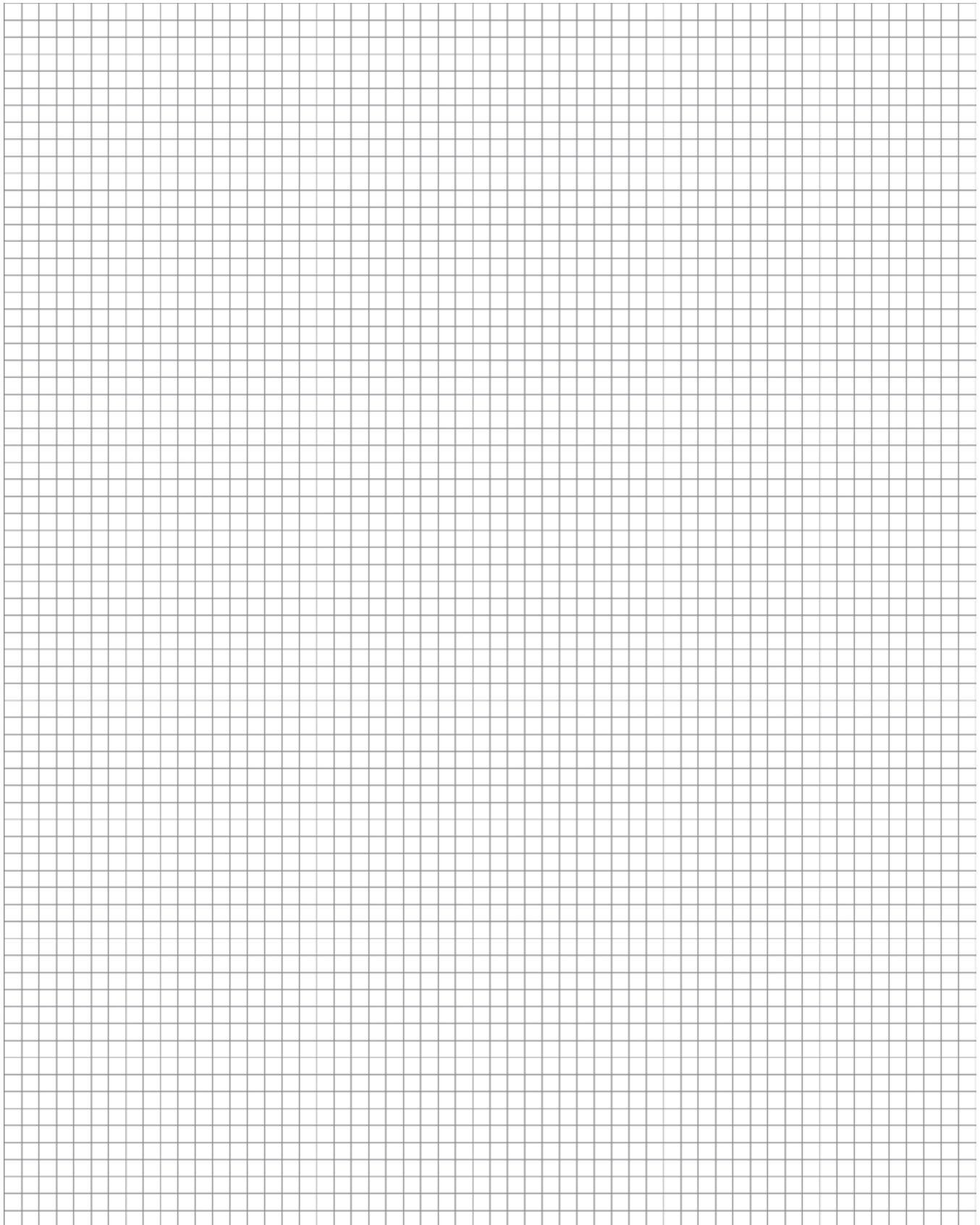
Maximum brace capacity can be achieved (connection capacity greater than brace capacity)

Brace is placed at standard angle of 53 degrees

Deadman is cast in trench against roughened earth

No reinforcing is provided/needed for Deadman

Deadman is supporting full brace capacity





1125 Byers Road  
Miamisburg, OH 45342  
937-866-0711  
888-977-9600

**BUILDING  
STRENGTH™**



WF\_1151300

DS4 | REV. 03/2026

Copyright © 2026 Dayton Superior Corporation, All Rights Reserved.