



THE POWER OF RED™

**SYMONS SOLDIER
CONSTRUCTION BEAMS**

CONCRETE
CONSTRUCTION
SOLUTIONS

BROCHURE





The Symons Soldier system is a lightweight, yet extremely strong, construction beam system with virtually unlimited application possibilities.

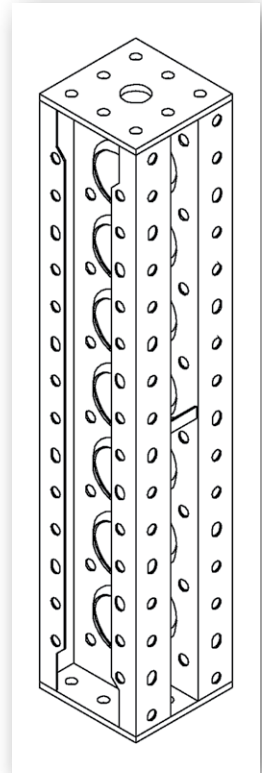
Symons developed a unique hole pattern which makes the Symons Soldier adaptable to almost any forming or shoring configuration with standard components and accessories.

Versatility

The unique hole pattern and a complete line of accessories give the Soldier the versatility you expect from Symons. The Soldier system complements the advantages of standard Symons forming systems. No other form supplier can offer such a wide range of product combinations to handle a diversity of applications.

Simplicity

The ability to bolt to all the flanges adds to the efficiency of Soldier. When bolted end-to-end as a continuous beam, the connection develops the full strength of the Soldier.



Symons Soldier beams permit bolting on all four flanges in addition to end and web bolt holes. The flange holes are a combination of holes and slots at 3" centers to provide dimensional adjustment and versatility.

Symons Soldier Properties

$$I_{xx} = 56.3 \text{ in}^4$$

$$I_{yy} = 27.3 \text{ in}^4$$

Soldier End Plates are high-strength steel, built square to the Soldier beam, enabling the end-to-end bolted connections to develop the full strength of the Soldier beam. It is designed to be a compression member. If used as a beam, consult Dayton Superior prior to design.

Rentable

Symons Soldier beams and accessories are a rentable system, providing cost savings compared to high-priced lumber components. With Symons Soldiers, unusual requirements can be satisfied with standard components.

Durability

Symons Soldiers are fabricated with high-strength steel to provide high load capacity and long service life. They have a robust strength to weight ratio, resulting in reduced crane capacity requirements.

Practicality

Your next forming or construction dilemma could be solved efficiently with Symons Soldier. Use them as braces, walers, strong-backs, shoring, aligners, trusses or whatever the situation demands.

| Part | Length | Weight |
|-------|---------------------|----------------------|
| 38900 | 1'-6" 457.2 mm | 45 lbs. 20.41 kg |
| 38903 | 2'-0" 609.6 mm | 52 lbs. 23.59 kg |
| 38917 | 3'-0" 914.4 mm | 67 lbs. 30.39 kg |
| 38901 | 4'-0" 1219.2 mm | 83 lbs. 37.65 kg |
| 38902 | 8'-0" 2438.4 mm | 148 lbs. 67.13 kg |
| 38904 | 12'-0" 3657.6 mm | 212 lbs. 96.16 kg |



Bracing

Symons Soldiers are ideally suited for diagonal bracing and plumbing. The ability to bolt end-to-end can create bracing lengths to fit your specific project requirement.

One-Sided Forming

Symons Soldier and Symons standard forming systems are used to create tieless one-sided wall forming schemes, providing substantial savings in time and labor costs.



Shoring

Symons Soldier and standard accessories can be combined to make towers that fit the most demanding shoring and deck support applications.

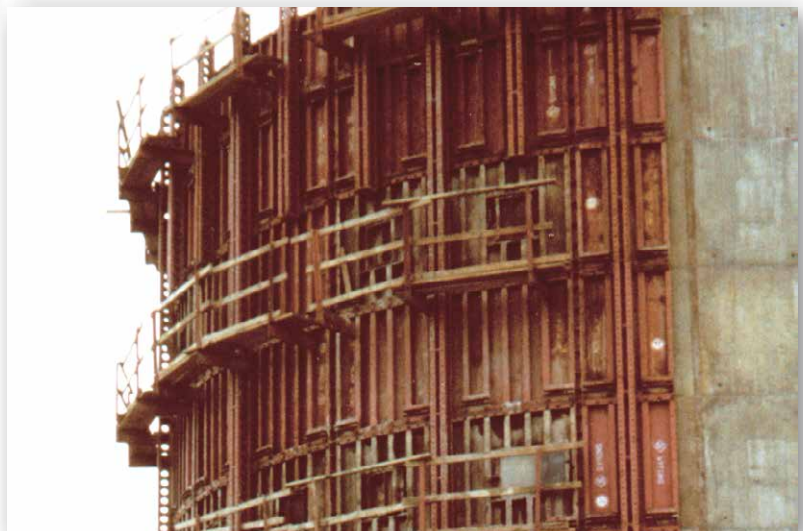


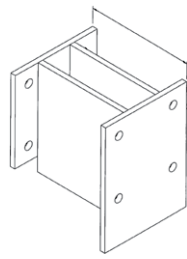
Alignment

Symons Soldier and accessories are designed for use with other Symons forming systems. Symons Soldier and Symons total product capability offers unlimited possibilities for any aligning and support application.

Walers

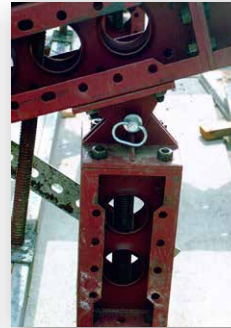
Symons Soldier beams are ideally suited for any waler application. When bolted to any Symons steel form system, the Symons Soldier has the capacity to handle the tallest gangs.





One-Sided Bracket

Used in conjunction with the Wedge and Shear Plates in one-sided wall forming applications, the One-Sided Bracket connects the Soldier beams together at the base of the forms and provides the anchor position.



Pivot Bracket

When bolted to the end of the Soldier Beam, the Pivot Bracket provides the connection between the Soldier beam brace and forming system.

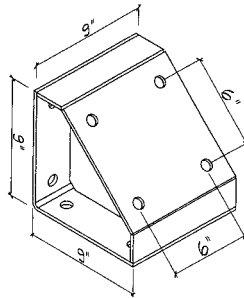


Shore Jack

The jack provides 8" of adjustment in Symons Soldier reshore applications.

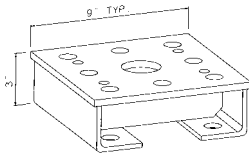
45° Bracket

The fixed 45° bracket can be used for diagonal bracing and truss configurations.



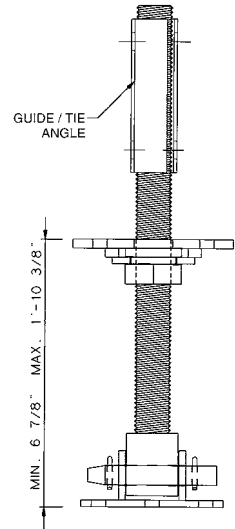
Adapter/Spacer

Bolt the 10" swivel wheel for traveling applications or use as a 3" spacer.



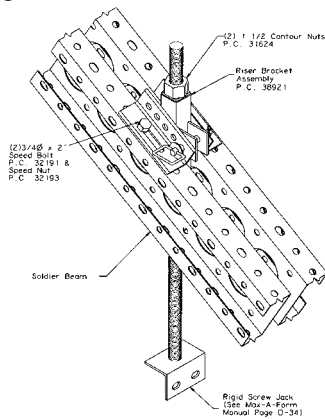
Strut Jack with Jack Base

The free-turning nut allows up to 16" adjustment, and the Jack Base pivots.



Riser Bracket

Swivel ability coupled with vertical adjustment meets most stair and seating riser conditions.

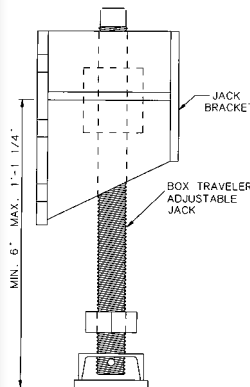


Tie Washer Plate

Plate provides bearing surface for ties and nuts in forming applications.

Attachment Angles

Bolt Soldier beams to Max-A-Form® or Versiform® gangs.

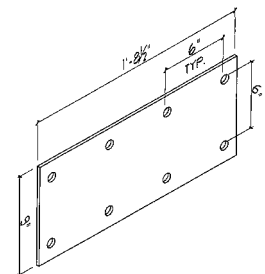
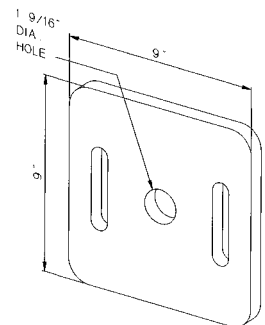


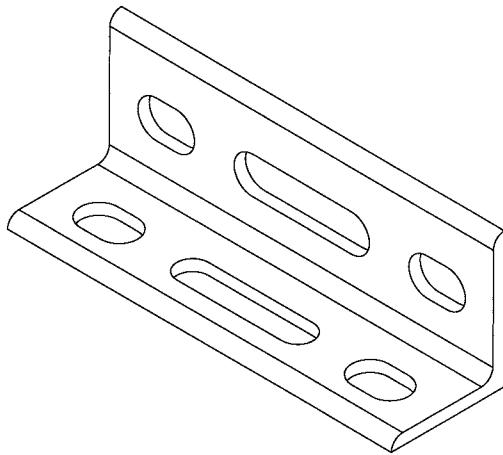
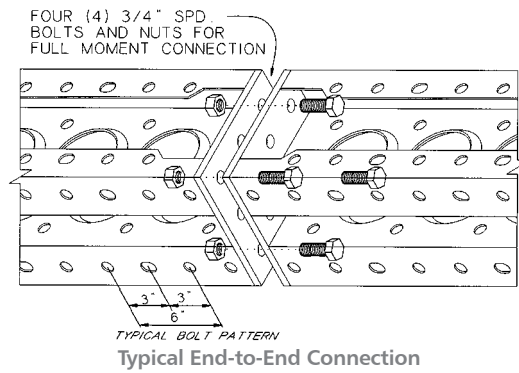
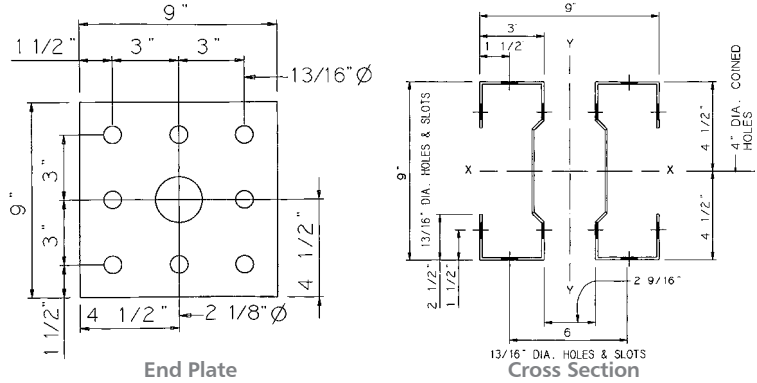
Jack Bracket

Bracket is used in one-sided applications for aligning and leveling the support frame and form gang.

Lap Splice Plate

Splice from beam-to-beam in truss applications.





Contact Customer Service for additional details or assistance.





SYMONS

BY DAYTON SUPERIOR

1125 Byers Road
Miamisburg, OH 45342
937-866-0711
800-800-7966
WWW.SYMONS.COM

**THE
POWER
OF RED™**

SYM92299
06/16

Copyright © 2016 Dayton Superior Corporation, All Rights Reserved.