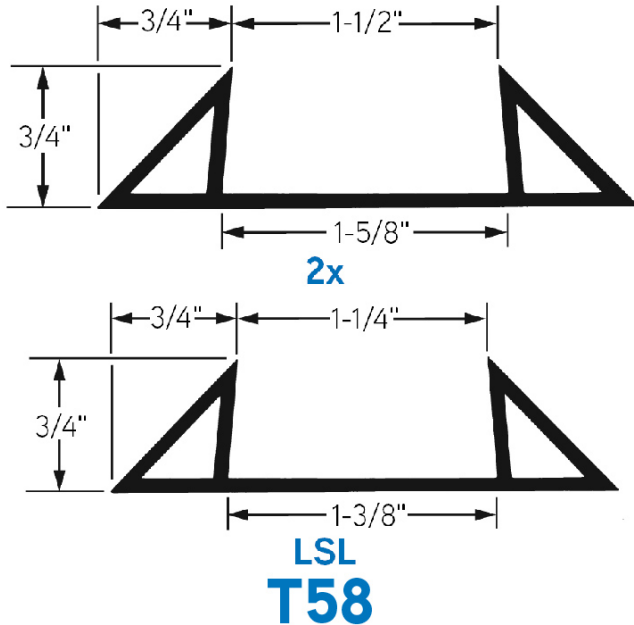


TECHNICAL DATA SHEET

DESCRIPTION

Dayton Superior T58 Double Chamfer Strip is an ideal product for use in forming chamfers on both sides of the 2x form lumber. The T58S is used on both sides of the LSL forms lumber. Both are a 0.062 thick extruded PVC (Polyvinyl Chloride) Plastic available in 8ft. and 10ft. lengths.



T58S

FEATURES

- T58 available in 8 ft. lengths & T58S available in 10 ft. lengths
- Made from 0.062" thick extruded PVC
- T58S available in beige color

ORDERING INFORMATION

AVAILABLE ONLY IN FULL CARTONS OF 200 FT.

Product Code	Description	Weight
60014	1 - 5/8" X 8'	0.23 LB
100138	1 - 1/4" X 10' (Special Beige)	0.23 LB

MANUFACTURER

Dayton Superior Corporation
 1125 Byers Road
 Miamisburg, OH 45342
 Customer Service: 888-977-9600
 Technical Services: 877-266-7732
 Website: www.daytonsuperior.com

WARRANTY (ACCESSORIES)

Limited Warranty. Dayton warrants, for a period of 60 days from the date of shipment (three years from the date of shipment in the case of formwork, excluding any consumable Products included with such formwork), that Products and any associated application drawings and engineering services provided by Dayton ("Ancillary Services") will be free from defects in material and workmanship and, in the case of custom designed formwork, that the formwork will meet the specifications set forth in the design drawings approved by Dayton and Customer. Any claim under this warranty must be made in writing within such warranty period. If any Product and/or Ancillary Service covered by a timely claim are found to be defective, Dayton will, within a reasonable time, make any necessary repairs or corrections or, at Dayton's option, replace the Product. Unless pre-authorized by Dayton in writing, Dayton will not accept any charges for correcting defects or accept the return of any Product. This warranty will not apply to any Products that have been subjected to misuse, neglect, storage damage, misapplication, accident or any other damage caused by any person other than Dayton, or that have not been maintained in accordance with Dayton's specifications. THIS LIMITED WARRANTY IS IN LIEU OF ALL OTHER WARRANTIES AS TO THE PRODUCTS AND ANCILLARY SERVICES. DAYTON MAKES NO OTHER WARRANTIES OR GUARANTEES, EXPRESS OR IMPLIED, INCLUDING ANY WARRANTY OF MERCHANTABILITY, FITNESS FOR A PARTICULAR PURPOSE OR OTHERWISE. THE REMEDIES SET FORTH IN THIS SECTION ARE CUSTOMER'S EXCLUSIVE REMEDY FOR BREACH OF WARRANTY.