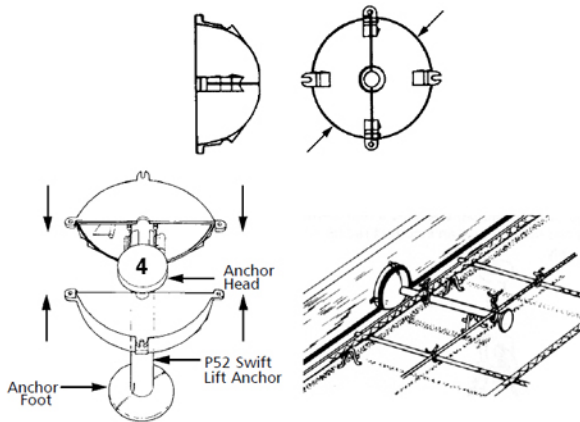


## TECHNICAL DATA SHEET

### DESCRIPTION

The Dayton Superior P54 Recess Plug is fabricated from high-density polyethylene plastic in two sizes to accommodate the P52 Swift Lift Anchor. The two-piece design snaps together around the head of the anchor to securely grasp the anchor. Tabs on the recess plug provide a convenient method to nail the assembly to the form. Built-in retainers allow a P59 Shear Bar to clip to the recess plug and be held in correct position. The P54 Recess Plug is designed to properly position the anchor below the surface of the concrete. This allows easy patching of the recess and prevents surface staining from exposed steel.



**Warning:** The P54 recess plug is designed to be used with the P52 insert and P59 shear bar combination.

Failure to use these components in this combination may result in concrete spalling and/or premature failure.

### MANUFACTURER

Dayton Superior Corporation  
 1125 Byers Road  
 Miamisburg, OH 45342  
 Customer Service: 888-977-9600  
 Technical Services: 877-266-7732  
 Website: www.daytonsuperior.com

### WARRANTY (ACCESSORIES)

Limited Warranty. Dayton warrants, for a period of 60 days from the date of shipment (three years from the date of shipment in the case of formwork, excluding any consumable Products included with such formwork), that Products and any associated application drawings and engineering services provided by Dayton ("Ancillary Services") will be free from defects in material and workmanship and, in the case of custom designed formwork, that the formwork will meet the specifications set forth in the design drawings approved by Dayton and Customer. Any claim under this warranty must be made in writing within such warranty period. If any Product and/or Ancillary Service covered by a timely claim are found to be defective, Dayton will, within a reasonable time, make any necessary repairs or corrections or, at Dayton's option, replace the Product. Unless pre-authorized by Dayton in writing, Dayton will not accept any charges for correcting defects or accept the return of any Product. This warranty will not apply to any Products that have been subjected to misuse, neglect, storage damage, misapplication, accident or any other damage caused by any person other than Dayton, or that have not been maintained in accordance with Dayton's specifications. THIS LIMITED WARRANTY IS IN LIEU OF ALL OTHER WARRANTIES AS TO THE PRODUCTS AND ANCILLARY SERVICES. DAYTON MAKES NO OTHER WARRANTIES OR GUARANTEES, EXPRESS OR IMPLIED, INCLUDING ANY WARRANTY OF MERCHANTABILITY, FITNESS FOR A PARTICULAR PURPOSE OR OTHERWISE. THE REMEDIES SET FORTH IN THIS SECTION ARE CUSTOMER'S EXCLUSIVE REMEDY FOR BREACH OF WARRANTY.

### FEATURES

- Fabricated from High Density Polyethylene Plastic
- Available in two sizes
- Snaps together for quick installation

### INSTALLATION

1. Place the P52 Swift Lift Anchor Head inside the two halves of the recess plug. See sketch.
2. Attach the assembled P54 Recess Plug and anchor to the formwork in its predetermined location with the recess plug seam in the vertical position. Use common (not double headed) nails in the upper three tabs of the recess plug.
3. Slip the preformed shear bar onto the P54 Recess Plug. See sketch.

### RELATED PRODUCTS

- P52 Swift Lift Anchor
- P59 Shear Bar

### ORDERING INFORMATION

Product Code	Description	Weight
60725	2 TON SWL	0.1 LB
60728	4 TON SWL	0.1454 LB