

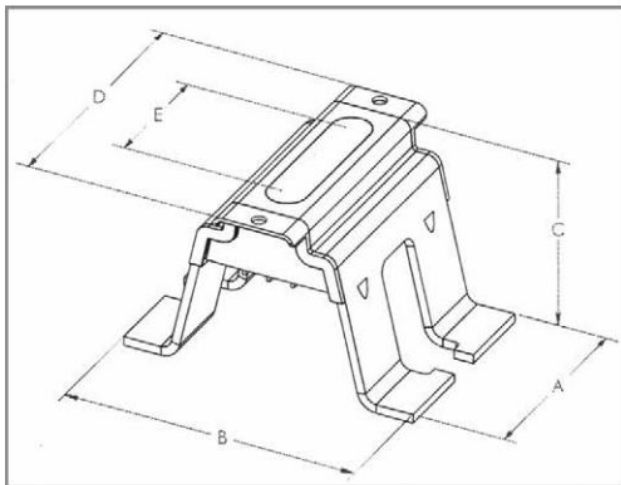
TECHNICAL DATA SHEET

DESCRIPTION

Dayton Superior P38 Corewall® Slotted Insert II is a one piece steel tapered body that utilizes concrete strength and eliminates pullout possibility for easier installation and higher load capacity.

APPLICATION

The design offers four different product options to meet many applications and is an addition to the Corewall Slotted Inserts P30 and P31 which have been specified and used by precasters for over 20 years.



FEATURES

- 7 gauge one piece steel tapered body with threaded strap anchor for attachment to building frame.
- Plastic void former with removable cap.
- J-Coat finish available in 3 Insert Heights of 2.5", 3.5" and 4.5" and 6" Insert Length.

BENEFITS

- One piece steel tapered body to utilize concrete strength and eliminate pullout possibility.
- Open leg design for easy positioning around steel during installation.
- 3/4"-10 Special Nut bears on top and sides of body that creates a stronger load capacity.

P38 Nut Type Slotted Anchor Insert Selection Table

Safe Working Loads provide a factor of safety of ~ 3 to 1 in 5,000 psi normal weight concrete.

Engineer is responsible to make sure that connecting threaded rod or bolt is strong enough to carry these loads.

Desc.	Tension SWL (lbs)	Shear SWL (lbs)	Length (A)	Width (B)	Depth (C)	Length (D)	Adjustment (E)
2.5" x 6" P38	5,500	6,400	6"	5-1/2"	2-1/2"	7-1/4"	4-1/2"
3.5" x 6" P38	6,750	8,700	6"	6"	3-1/2"	7-1/4"	4-1/2"
3.5" x 8" P38	7,100	8,700	8"	6"	3-1/2"	9-1/4"	6-1/2"
4.5" x 6" P38	8,800	10,950	6"	6-1/2"	4-1/2"	7-1/4"	4-1/2"

RELATED PRODUCTS

- P34L Strap Anchor

ORDERING INFORMATION

COREWALL® SLOTTED INSERT II - N/A

Product Code	Description	Weight
128089	2.5" X 6" SLOTTED INSERT - J-FINISH GALV.	2.50 LB
128092	3.5" X 6" SLOTTED INSERT - J-FINISH GALV.	3.00 LB
128093	3.5" X 8" SLOTTED INSERT - J-FINISH GALV.	4.30 LB
128095	4.5" X 6" SLOTTED INSERT - J-FINISH GALV.	4.20 LB

MANUFACTURER

Dayton Superior Corporation
 1125 Byers Road
 Miamisburg, OH 45342
 Customer Service: 888-977-9600
 Technical Services: 877-266-7732
 Website: www.daytonsuperior.com

TECHNICAL DATA SHEET

WARRANTY (ACCESSORIES)

Limited Warranty. Dayton warrants, for a period of 60 days from the date of shipment (three years from the date of shipment in the case of formwork, excluding any consumable Products included with such formwork), that Products and any associated application drawings and engineering services provided by Dayton ("Ancillary Services") will be free from defects in material and workmanship and, in the case of custom designed formwork, that the formwork will meet the specifications set forth in the design drawings approved by Dayton and Customer. Any claim under this warranty must be made in writing within such warranty period. If any Product and/or Ancillary Service covered by a timely claim are found to be defective, Dayton will, within a reasonable time, make any necessary repairs or corrections or, at Dayton's option, replace the Product. Unless pre-authorized by Dayton in writing, Dayton will not accept any charges for correcting defects or accept the return of any Product. This warranty will not apply to any Products that have been subjected to misuse, neglect, storage damage, misapplication, accident or any other damage caused by any person other than Dayton, or that have not been maintained in accordance with Dayton's specifications. THIS LIMITED WARRANTY IS IN LIEU OF ALL OTHER WARRANTIES AS TO THE PRODUCTS AND ANCILLARY SERVICES. DAYTON MAKES NO OTHER WARRANTIES OR GUARANTEES, EXPRESS OR IMPLIED, INCLUDING ANY WARRANTY OF MERCHANTABILITY, FITNESS FOR A PARTICULAR PURPOSE OR OTHERWISE. THE REMEDIES SET FORTH IN THIS SECTION ARE CUSTOMER'S EXCLUSIVE REMEDY FOR BREACH OF WARRANTY.